

*Infiniium*

*8000A Programmer's  
Reference*



---

# Programmer's Reference

Publication Number D8064-97008  
August 2008

This reference applies directly to software revision code A.05.50 and later.

© Copyright Agilent Technologies 2005-2008  
All Rights Reserved.

---

## 8000A Series Infiniium Oscilloscopes

---

## In This Book

This book is your guide to programming the Infiniium Series Oscilloscopes.

Chapters 1-5 give you an introduction to programming the oscilloscopes, along with necessary conceptual information. These chapters describe basic program communications, interface, syntax, data types, and status reporting.

Chapter 6 shows example BASIC and C programs, and describes chunks of one program to show you some typical applications. The BASIC and C example programs are also shipped on a disk with the oscilloscope.

Chapters 7-25 describe the commands used to program the Infiniium Oscilloscopes. Each chapter describes the set of commands that belong to an individual subsystem, and explains the function of each command. These chapters include:

<b>ACQuire</b>	<b>HISTogram</b>
<b>BUS</b>	<b>MARKer</b>
<b>CALibration</b>	<b>MEASure</b>
<b>CHANnel</b>	<b>POD</b>
<b>Common</b>	<b>Root Level</b>
<b>DIGital</b>	<b>SELFtest</b>
<b>DISK</b>	<b>SYSTem</b>
<b>DISPlay</b>	<b>TIME Base</b>
<b>EXTernal Channel</b>	<b>TRIGger</b>
<b>FUNction</b>	<b>WAVEform</b>
<b>HARDcopy</b>	<b>Waveform MEMory</b>

Error Messages chapter describes error messages.

---

# Contents

## **1 Introduction to Programming**

- Communicating with the Oscilloscope 1-3
- Output Command 1-4
- Device Address 1-4
- Instructions 1-4
- Instruction Header 1-4
- White Space (Separator) 1-5
- Braces 1-5
- Ellipsis 1-5
- Square Brackets 1-5
- Command and Query Sources 1-5
- Program Data 1-6
- Header Types 1-7
- Duplicate Mnemonics 1-9
- Query Headers 1-10
- Program Header Options 1-11
- Character Program Data 1-11
- Numeric Program Data 1-12
- Embedded Strings 1-13
- Program Message Terminator 1-13
- Common Commands within a Subsystem 1-14
- Selecting Multiple Subsystems 1-14
- Programming Getting Started 1-14
- Initialization 1-15
- Example Program using HP Basic 1-16
- Using the DIGITIZE Command 1-17
- Receiving Information from the Oscilloscope 1-19
- String Variable Example 1-20
- Numeric Variable Example 1-20
- Definite-Length Block Response Data 1-21
- Multiple Queries 1-22
- Oscilloscope Status 1-22

## **2 LAN and GPIB Interfaces**

- LAN Interface Connector 2-3
- GPIB Interface Connector 2-3
- Default Startup Conditions 2-4
- Interface Capabilities 2-5
- GPIB Command and Data Concepts 2-6
- Communicating Over the GPIB Interface 2-7
- Communicating Over the LAN Interface 2-8
- Communicating via Telnet and Sockets 2-10
- Bus Commands 2-13

## **3 Message Communication and System Functions**

## Contents

Protocols 3-3

### **4 Status Reporting**

Status Reporting Data Structures 4-5  
Status Byte Register 4-8  
Service Request Enable Register 4-10  
Message Event Register 4-10  
Trigger Event Register 4-10  
Standard Event Status Register 4-11  
Standard Event Status Enable Register 4-12  
Operation Status Register 4-13  
Operation Status Enable Register 4-14  
Mask Test Event Register 4-15  
Mask Test Event Enable Register 4-16  
Trigger Armed Event Register 4-17  
Acquisition Done Event Register 4-17  
Error Queue 4-18  
Output Queue 4-18  
Message Queue 4-19  
Clearing Registers and Queues 4-19

### **5 Remote Acquisition Synchronization**

Introduction 5-2  
Programming Flow 5-2  
Setting Up the Oscilloscope 5-2  
Acquiring a Waveform 5-3  
Retrieving Results 5-3  
Acquisition Synchronization 5-4  
Single Shot Device Under Test (DUT) 5-5  
Averaging Acquisition Synchronization 5-7

### **6 Programming Conventions**

Truncation Rule 6-3  
The Command Tree 6-4  
Infinity Representation 6-15  
Sequential and Overlapped Commands 6-15  
Response Generation 6-15  
EOI 6-15

### **7 Sample Programs**

Sample Program Structure 7-3  
Sample C Programs 7-4  
Listings of the Sample Programs 7-18  
gpibdecl.h Sample Header 7-19  
srqagi.c Sample Program 7-21  
learnstr.c Sample Program 7-23

sicl_IO.c Sample Program	7-27
natl_IO.c Sample Program	7-32
init.bas Sample Program	7-37
srq.bas Sample Program	7-45
lrm_str.bas Sample Program	7-51

## **8 Acquire Commands**

AVERAge	8-3
AVERAge:COUNT	8-4
COMPLete	8-5
COMPLete:STATe	8-7
INTerpolate	8-8
MODE	8-9
POINTs	8-11
POINTs:AUTO	8-21
SEGmented:COUNT	8-22
SEGmented:INDEX	8-23
SEGmented:TTAGs	8-24
SRATe (Sample RATE)	8-25
SRATe:AUTO	8-27

## **9 Bus Commands**

B1:TYPE	9-3
BIT<M>	9-4
BITS	9-5
CLEAr	9-6
CLOCK	9-7
CLOCK:SLOPe	9-8
DISPlay	9-9
LABEL	9-10
READout	9-11

## **10 Calibration Commands**

Oscilloscope Calibration	10-3
Probe Calibration	10-4
Calibration Commands	10-5
OUTPut	10-6
SKEW	10-7
STATus?	10-8

## **11 Channel Commands**

BWLimit	11-3
DISPlay	11-4
INPut	11-5
OFFSet	11-6

## Contents

PROBe 11-7  
PROBe:ATTenuation 11-9  
PROBe:EADapter 11-10  
PROBe:ECoupling 11-12  
PROBe:EXTernal 11-14  
PROBe:EXTernal:GAIN 11-15  
PROBe:EXTernal:OFFSet 11-17  
PROBe:EXTernal:UNITs 11-19  
PROBe:GAIN 11-21  
PROBe:HEAD:ADD 11-22  
PROBe:HEAD:DELeTe ALL 11-23  
PROBe:HEAD:SELeCt 11-24  
PROBe:ID? 11-25  
PROBe:SKEW 11-27  
PROBe:STYPe 11-28  
RANGe 11-29  
SCALe 11-30  
UNITs 11-31

## 12 Common Commands

\*CLS (Clear Status) 12-4  
\*ESE (Event Status Enable) 12-5  
\*ESR? (Event Status Register) 12-7  
\*IDN? (Identification Number) 12-9  
\*LRN? (Learn) 12-10  
\*OPC (Operation Complete) 12-12  
\*OPT? (Option) 12-13  
\*PSC (Power-on Status Clear) 12-14  
\*RCL (Recall) 12-15  
\*RST (Reset) 12-16  
\*SAV (Save) 12-17  
\*SRE (Service Request Enable) 12-18  
\*STB? (Status Byte) 12-20  
\*TRG (Trigger) 12-22  
\*TST? (Test) 12-23  
\*WAI (Wait) 12-24

## 13 Digital Commands

DISPlay 13-3  
LABel 13-4  
SIZE 13-5  
THReshold 13-6

## 14 Disk Commands

CDIRectory 14-3  
DELeTe 14-4



DIRectory? 14-5  
LOAD 14-6  
MDIRectory 14-7  
MSTore (Obsolete) 14-8  
PWD? 14-12  
SAVe:IMAGe 14-13  
SAVe:LISTing 14-14  
SAVe:MEASurements 14-15  
SAVe:SETup 14-16  
SAVe:WAVEform 14-17  
CSV, TSV and TXT Header Format 14-19  
BIN Header Format 14-23  
SEGmented 14-43  
STORe (Obsolete) 14-44

## **15 Display Commands**

CGRade 15-3  
CGRade:LEVels? 15-5  
COLumn 15-7  
CONNect 15-8  
DATA? 15-9  
DCOLor 15-10  
GRATicule 15-11  
LABel 15-13  
LINE 15-14  
PERSistence 15-15  
ROW 15-16  
SCOLor 15-17  
STRing 15-20  
TEXT 15-21

## **16 External Trigger Commands**

BWLimit 16-3  
INPut 16-4  
PROBe 16-5  
PROBe:ATTenuation 16-6  
PROBe:EADapter 16-7  
PROBe:ECoupling 16-9  
PROBe:EXTernal 16-11  
PROBe:EXTernal:GAIN 16-12  
PROBe:EXTernal:UNITs 16-14  
PROBe:GAIN 16-16  
PROBe:ID? 16-17  
PROBe:SKEW 16-18  
RANGe 16-19  
UNITs 16-20

## Contents

### 17 Function Commands

FUNction<N>? 17-4  
ABSolute 17-5  
ADD 17-6  
AVERAge 17-7  
COMMonmode 17-8  
DIFF (Differentiate) 17-9  
DISPlay 17-10  
DIVide 17-11  
FFT:FREQuency 17-12  
FFT:REFErence 17-13  
FFT:RESolution? 17-14  
FFT:WINDow 17-15  
FFTMagnitude 17-17  
FFTPhase 17-18  
HIGHpass 17-19  
HORizontal:POSition 17-20  
HORizontal:RANGE 17-21  
INTEgrate 17-22  
INVert 17-23  
LOWPass 17-24  
MAGNify 17-25  
MAXimum 17-26  
MAXimum 17-27  
MINimum 17-28  
MULTiPLY 17-29  
OFFSet 17-30  
RANGE 17-31  
SMOoth 17-32  
SQRT 17-33  
SQUare 17-34  
SUBTract 17-35  
VERSus 17-36  
VERTical 17-37  
VERTical:OFFSet 17-38  
VERTical:RANGE 17-39

### 18 Hardcopy Commands

AREA 18-3  
DPRinter 18-4  
FACTors 18-6  
IMAGe 18-7  
PRINters? 18-8

### 19 Histogram Commands

AXIS 19-4

MODE 19-5  
 SCALe:SIZE 19-6  
 WINDow:DEFault 19-7  
 WINDow:SOURce 19-8  
 WINDow:X1Position | LLIMit 19-9  
 WINDow:X2Position | RLIMit 19-10  
 WINDow:Y1Position | BLIMit 19-11  
 WINDow:Y2Position | TLIMit 19-12

## 20 InfiniiScan (ISCan) Commands

DELay 20-3  
 MEASurement:FAIL 20-4  
 MEASurement:LLIMit 20-5  
 MEASurement 20-6  
 MEASurement:TEST 20-7  
 MEASurement:ULIMit 20-8  
 MODE 20-9  
 NONMonotonic:EDGE 20-10  
 NONMonotonic:HYSTeresis 20-11  
 NONMonotonic:SOURce 20-12  
 RUNT:HYSTeresis 20-13  
 RUNT:LLEVel 20-14  
 RUNT:SOURce 20-15  
 RUNT:ULEVel 20-16  
 SERial:PATtern 20-17  
 SERial:SOURce 20-18  
 ZONE<N>:MODE 20-19  
 ZONE<N>:PLACement 20-20  
 ZONE:SOURce 20-21  
 ZONE<N>:STATe 20-22

## 21 Limit Test Commands

FAIL 21-3  
 LLIMit 21-4  
 MEASurement 21-5  
 RESults? 21-6  
 TEST 21-7  
 ULIMit 21-8

## 22 Marker Commands

CURSor? 22-3  
 MEASurement:READout 22-4  
 MODE 22-5  
 TDELta? 22-6  
 TSTArt 22-7  
 TSTOp 22-9

## Contents

VDELta? 22-11  
VSTArt 22-12  
VSTOp 22-14  
X1Position 22-16  
X2Position 22-17  
X1Y1source 22-18  
X2Y2source 22-19  
XDELta? 22-20  
Y1Position 22-21  
Y2Position 22-22  
YDELta? 22-23

### **23 Mask Test Commands**

ALIGn 23-4  
AlignFIT 23-5  
AMASK:CREate 23-7  
AMASK:SOURce 23-8  
AMASK:[SAVE | STORE] 23-9  
AMASK:UNITs 23-10  
AMASK:XDELta 23-11  
AMASK:YDELta 23-13  
AUTO 23-15  
AVERage 23-16  
AVERage:COUNt 23-17  
COUNt:FAILures? 23-18  
COUNt:FWAVEforms? 23-19  
COUNt:WAVEforms? 23-20  
DELeTe 23-21  
ENABle 23-22  
FOLDing 23-23  
FOLDing:BITS 23-24  
HAMPlitude 23-25  
IMPedance 23-26  
INVert 23-28  
LAMPlitude 23-29  
LOAD 23-30  
NREGions? 23-31  
PROBe:IMPedance? 23-32  
RUMode 23-33  
RUMode:SOFailure 23-35  
SCALE:BIND 23-36  
SCALE:X1 23-37  
SCALE:XDELta 23-38  
SCALE:Y1 23-40  
SCALE:Y2 23-41

SOURce 23-42  
 START | STOP 23-43  
 STIME 23-44  
 TITLe? 23-45  
 TRIGger:SOURce 23-46

## 24 Measure Commands

AREA 24-7  
 BWIDth 24-8  
 CDRRate 24-9  
 CGRade:CROSSing 24-10  
 CGRade:DCDistortion 24-11  
 CGRade:EHEight 24-12  
 CGRade:EWIDth 24-13  
 CGRade:JITTer 24-14  
 CGRade:QFACTOR 24-15  
 CLEar 24-16  
 CLOCK 24-17  
 CLOCK:METhod 24-18  
 CLOCK::VERTical 24-20  
 CLOCK::VERTical:OFFSet 24-21  
 CLOCK:VERTical:RANGe 24-22  
 CTCDutycycle 24-23  
 CTCJitter 24-25  
 CTCNwidth 24-27  
 CTCPwidth 24-28  
 DATarate 24-29  
 DEFine 24-31  
 DELTatime 24-36  
 DUTYcycle 24-38  
 FALLtime 24-40  
 FFT:DFRequency 24-42  
 FFT:DMAGnitude 24-43  
 FFT:FREQuency 24-44  
 FFT:MAGNitude 24-45  
 FFT:PEAK1 24-46  
 FFT:PEAK2 24-47  
 FFT:THReshold 24-48  
 FREQuency 24-49  
 HISTogram:HITS 24-51  
 HISTogram:M1S 24-53  
 HISTogram:M2S 24-55  
 HISTogram:M3S 24-57  
 HISTogram:MAX? 24-59  
 HISTogram:MEAN? 24-60

## Contents

HISTogram:MEDian?	24-61
HISTogram:MIN?	24-62
HISTogram:PEAK?	24-63
HISTogram:PP?	24-64
HISTogram:STDDev?	24-65
HOLDtime	24-66
JITTer:HISTogram	24-68
JITTer:MEASurement	24-69
JITTer:SPECtrum	24-70
JITTer:SPECtrum:HORizontal	24-71
JITTer:SPECtrum:HORizontal:POSition	24-72
JITTer:SPECtrum:HORizontal:RANGe	24-73
JITTer:SPECtrum:VERTical	24-74
JITTer:SPECtrum:VERTical:OFFSet	24-75
JITTer:SPECtrum:VERTical:RANGe	24-76
JITTer:SPECtrum:WINDow	24-77
JITTer:STATistics	24-78
JITTer:TREND	24-79
JITTer:TREND:SMOoth	24-80
JITTer:TREND:SMOoth:POINts	24-81
JITTer:TREND:VERTical	24-82
JITTer:TREND:VERTical:OFFSet	24-83
JITTer:TREND:VERTical:RANGe	24-84
NCJitter	24-85
NWIDth	24-87
OVERshoot	24-89
PERiod	24-91
PHASe	24-93
PREShoot	24-95
PWIDth	24-97
QUALifier<M>:CONDition	24-99
QUALifier<M>:SOURce	24-100
QUALifier<M>:STATe	24-101
RESults?	24-102
RISetime	24-105
SCRatch	24-107
SENDvalid	24-108
SETuptime	24-109
SLEWrate	24-111
SOURce	24-112
STATistics	24-113
TEDGe	24-114
TIEClock2	24-116
TIEData	24-118
TMAX	24-120

TMIN 24-121  
TVOLt 24-122  
UNITinterval 24-124  
VAMplitude 24-126  
VAverage 24-127  
VBASe 24-129  
VLOWer 24-130  
VMAX 24-131  
VMIDdle 24-132  
VMIN 24-133  
VPP 24-134  
VRMS 24-135  
VTIMe 24-137  
VTOP 24-138  
VUPPer 24-139

## **25 Pod Commands**

DISPlay 25-3  
THReshold 25-4  
PSKew 25-5

## **26 Root Level Commands**

ADER? (Acquisition Done Event Register) 26-4  
AER? (Arm Event Register) 26-5  
ATER? (Auto Trigger Event Register) 26-6  
AUToscale 26-7  
BLANk 26-8  
CDISplay 26-9  
DIGitize 26-10  
DISable 26-12  
ENABle 26-13  
MTEE 26-14  
MTER? 26-15  
MODEl? 26-16  
OPEE 26-17  
OPER? 26-18  
OVLEnable 26-19  
OVLRegister? 26-20  
PRINt 26-21  
RECall:SETup 26-22  
RUN 26-23  
SERial (Serial Number) 26-24  
SINGle 26-25  
STATus? 26-26  
STOP 26-27  
STORe:SETup 26-28

## Contents

STORe:WAVeform 26-29  
TER? (Trigger Event Register) 26-30  
VIEW 26-31

### 27 Self-Test Commands

CANCel 27-3  
SCOPETEST 27-4

### 28 System Commands

DATE 28-3  
DEBug 28-4  
DSP 28-6  
ERRor? 28-7  
HEADer 28-8  
LOCK 28-10  
LONGform 28-11  
SETup 28-13  
TIME 28-15

### 29 Time Base Commands

POSition 29-3  
RANGe 29-4  
REFerence 29-5  
ROLL:ENABLE 29-6  
SCALE 29-7  
VIEW 29-8  
WINDow:DELay 29-9  
WINDow:POSition 29-11  
WINDow:RANGe 29-12  
WINDow:SCALE 29-13

### 30 Trigger Commands

Organization of Trigger Modes and Commands 30-5

Summary of Trigger Modes and Commands 30-6

Trigger Modes 30-8  
HOLDoff 30-9  
HTHReshold 30-10  
HYSTEResis 30-11  
LEVel 30-12  
LTHReshold 30-13  
SWEep 30-14

Edge Trigger Mode and Commands 30-15

EDGE:COUPling 30-17



EDGE:SLOPe	30-18
EDGE:SOURce	30-19
Glitch Trigger Mode and Commands 30-20	
GLITCh:POLarity	30-22
GLITCh:SOURce	30-23
GLITCh:WIDTh	30-24
Advanced COMM Trigger Mode and Commands 30-25	
COMM:BWIDth	30-26
COMM:ENCode	30-27
COMM:LEVel	30-28
COMM:PATtern	30-29
COMM:POLarity	30-30
COMM:SOURce	30-31
Advanced Pattern Trigger Mode and Commands 30-32	
PATtern:CONDition	30-34
PATtern:LOGic	30-35
:PATtern:THReshold:LEVel	30-36
:PATtern:THReshold:POD<N>	30-37
Advanced State Trigger Mode and Commands 30-38	
STATe:CLOCK	30-40
STATe:LOGic	30-41
STATe:LTYPe	30-42
STATe:SLOPe	30-43
:STATe:THReshold:LEVel	30-44
Advanced Delay By Event Mode and Commands 30-45	
EDLY:ARM:SOURce	30-47
EDLY:ARM:SLOPe	30-48
EDLY:EVENT:DELay	30-49
EDLY:EVENT:SOURce	30-50
EDLY:EVENT:SLOPe	30-51
EDLY:TRIGger:SOURce	30-52
EDLY:TRIGger:SLOPe	30-53
Advanced Delay By Time Mode and Commands 30-54	
TDLY:ARM:SOURce	30-56
TDLY:ARM:SLOPe	30-57
TDLY:DELay	30-58
TDLY:TRIGger:SOURce	30-59
TDLY:TRIGger:SLOPe	30-60

## Contents

### Advanced Standard TV Mode and Commands 30-61

STV:FIELD 30-63

STV:LINE 30-64

STV:SOURce 30-65

STV:SPOLarity 30-66

### Advanced User Defined TV Mode and Commands 30-67

UDTV:ENUMber 30-69

UDTV:PGTHan 30-70

UDTV:POLarity 30-71

UDTV:SOURce 30-72

### Advanced Trigger Violation Modes 30-73

VIOLation:MODE 30-74

### Pulse Width Violation Mode and Commands 30-75

VIOLation:PWIDth:DIRection 30-77

VIOLation:PWIDth:POLarity 30-78

VIOLation:PWIDth:SOURce 30-79

VIOLation:PWIDth:WIDTh 30-80

### Setup Violation Mode and Commands 30-81

VIOLation:SETup:MODE 30-84

VIOLation:SETup:SETup:CSOURce 30-85

VIOLation:SETup:SETup:CSOURce:LEVel 30-86

VIOLation:SETup:SETup:CSOURce:EDGE 30-87

VIOLation:SETup:SETup:DSOURce 30-88

VIOLation:SETup:SETup:DSOURce:HTHReshold 30-89

VIOLation:SETup:SETup:DSOURce:LTHReshold 30-90

VIOLation:SETup:SETup:TIME 30-91

VIOLation:SETup:HOLD:CSOURce 30-92

VIOLation:SETup:HOLD:CSOURce:LEVel 30-93

VIOLation:SETup:HOLD:CSOURce:EDGE 30-94

VIOLation:SETup:HOLD:DSOURce 30-95

VIOLation:SETup:HOLD:DSOURce:HTHReshold 30-96

VIOLation:SETup:HOLD:DSOURce:LTHReshold 30-97

VIOLation:SETup:HOLD:TIME 30-98

VIOLation:SETup:SHOLd:CSOURce 30-99

VIOLation:SETup:SHOLd:CSOURce:LEVel 30-100

VIOLation:SETup:SHOLd:CSOURce:EDGE 30-101

VIOLation:SETup:SHOLd:DSOURce 30-102

VIOLation:SETup:SHOLd:DSOURce:HTHReshold 30-103

VIOLation:SETup:SHOLd:DSOURce:LTHReshold 30-104

VIOLation:SETup:SHOLd:SetupTIME (STIME) 30-105

VIOLation:SETup:SHOLd:HoldTIME (HTIME) 30-106

Transition Violation Mode 30-107

VIOLation:TRANsition 30-109

VIOLation:TRANsition:SOURce 30-110

VIOLation:TRANsition:SOURce:HTHReshold 30-111

VIOLation:TRANsition:SOURce:LTHReshold 30-112

VIOLation:TRANsition:TYPE 30-113

### **31 Waveform Commands**

BANDpass? 31-5

BYTeorder 31-6

COMPLete? 31-7

COUNt? 31-8

COUPLing? 31-9

DATA? 31-10

DATA? Example for Analog Channels 31-12

DATA? Example for Digital Channels 31-26

FORMat 31-41

POINtS? 31-44

PREamble 31-45

SEGmented:COUNt? 31-51

SEGmented:TTAG? 31-52

SOURce 31-53

TYPE? 31-55

VIEW 31-57

XDISplay? 31-59

XINCrement? 31-60

XORigin? 31-61

XRANge? 31-62

XREFerence? 31-63

XUNits? 31-64

YDISplay? 31-65

YINCrement? 31-66

YORigin? 31-67

YRANge? 31-68

YREFerence? 31-69

YUNits? 31-70

### **32 Waveform Memory Commands**

DISPlay 32-3

LOAD 32-4

SAVE 32-5

XOFFset 32-6

XRANge 32-7

YOFFset 32-8

YRANge 32-9

### **33 Error Messages**

Error Queue 33-3

Error Numbers 33-4

Command Error 33-5

Execution Error 33-6

Device- or Oscilloscope-Specific Error 33-7

Query Error 33-8

List of Error Messages 33-9



---

# Introduction to Programming

This chapter introduces the basics for remote programming of an oscilloscope. The programming commands in this manual conform to the IEEE 488.2 Standard Digital Interface for Programmable Instrumentation. The programming commands provide the means of remote control.

Basic operations that you can do with a computer and an oscilloscope include:

- Set up the oscilloscope.
- Make measurements.
- Get data (waveform, measurements, and configuration) from the oscilloscope.
- Send information, such as waveforms and configurations, to the oscilloscope.

You can accomplish other tasks by combining these functions.

**Example Programs are Written in HP BASIC and C**

**The programming examples for individual commands in this manual are written in HP BASIC and C.**

---

## Communicating with the Oscilloscope

Computers communicate with the oscilloscope by sending and receiving messages over a remote interface, such as a GPIB card or a Local Area Network (LAN) card. Commands for programming normally appear as ASCII character strings embedded inside the output statements of a “host” language available on your computer. The input commands of the host language are used to read responses from the oscilloscope.

For example, HP BASIC uses the OUTPUT statement for sending commands and queries. After a query is sent, the response is usually read using the HP BASIC ENTER statement. The ENTER statement passes the value across the bus to the computer and places it in the designated variable.

For the GPIB interface, messages are placed on the bus using an output command and passing the device address, program message, and a terminator. Passing the device address ensures that the program message is sent to the correct GPIB interface and GPIB device.

The following HP BASIC OUTPUT statement sends a command that sets the channel 1 scale value to 500 mV:

```
OUTPUT <device address> ;":CHANNEL1:SCALE 500E-3"<terminator>
```

The device address represents the address of the device being programmed. Each of the other parts of the above statement are explained on the following pages.

### **Use the Suffix Multiplier Instead**

**Using "mV" or "V" following the numeric voltage value in some commands will cause Error 138 - Suffix not allowed. Instead, use the convention for the suffix multiplier as described in chapter 3, "Message Communication and System Functions."**

## Output Command

The output command depends entirely on the programming language. Throughout this book, HP BASIC and ANSI C are used in the examples of individual commands. If you are using other languages, you will need to find the equivalents of HP BASIC commands like OUTPUT, ENTER, and CLEAR, to convert the examples.

---

## Device Address

The location where the device address must be specified depends on the programming language you are using. In some languages, it may be specified outside the OUTPUT command. In HP BASIC, it is always specified after the keyword, OUTPUT. The examples in this manual assume that the oscilloscope and interface card are at GPIB device address 707. When writing programs, the device address varies according to how the bus is configured.

---

## Instructions

Instructions, both commands and queries, normally appear as strings embedded in a statement of your host language, such as BASIC, Pascal, or C. The only time a parameter is not meant to be expressed as a string is when the instruction's syntax definition specifies <block data>, such as HP BASIC's "learnstring" command. There are only a few instructions that use block data.

Instructions are composed of two main parts:

- The header, which specifies the command or query to be sent.
  - The program data, which provides additional information to clarify the meaning of the instruction.
- 

## Instruction Header

The instruction header is one or more command mnemonics separated by colons (:). They represent the operation to be performed by the oscilloscope. See the "Programming Conventions" chapter for more information.

Queries are formed by adding a question mark (?) to the end of the header. Many instructions can be used as either commands or queries, depending on whether or not you include the question mark. The command and query forms of an instruction usually have different program data. Many queries do not use any program data.

---



---

## White Space (Separator)

White space is used to separate the instruction header from the program data. If the instruction does not require any program data parameters, you do not need to include any white space. In this manual, white space is defined as one or more spaces. ASCII defines a space to be character 32 in decimal.

---

## Braces

When several items are enclosed by braces, { }, only one of these elements may be selected. Vertical line (|) indicates "or". For example, {ON|OFF} indicates that only ON or OFF may be selected, not both.

---

## Ellipsis

... An ellipsis (trailing dots) indicates that the preceding element may be repeated one or more times.

---

## Square Brackets

Items enclosed in square brackets, [ ], are optional.

---

## Command and Query Sources

Many commands and queries require that a source be specified. Depending on the command or query and the model number of Infiniium oscilloscope being used, some of the sources are not available. The following is a list of sources:

<b>CHANnel1</b>	<b>FUNction1</b>	<b>WMEMory1</b>	
<b>CHANnel2</b>	<b>FUNction2</b>	<b>WMEMory2</b>	
<b>CHANnel3</b>	<b>FUNction3</b>	<b>WMEMory3</b>	
<b>CHANnel4</b>	<b>FUNction4</b>	<b>WMEMory4</b>	
<b>DIGital0</b>	<b>DIGital1</b>	<b>DIGital2</b>	<b>DIGital3</b>
<b>DIGital4</b>	<b>DIGital5</b>	<b>DIGital6</b>	<b>DIGital7</b>
<b>DIGital8</b>	<b>DIGital9</b>	<b>DIGital10</b>	<b>DIGital11</b>
<b>DIGital12</b>	<b>DIGital13</b>	<b>DIGital14</b>	<b>DIGital15</b>
<b>CLOCK</b>	<b>MTRend</b>	<b>MSPectrum</b>	<b>HISTogram</b>

## Program Data

Program data is used to clarify the meaning of the command or query. It provides necessary information, such as whether a function should be on or off, or which waveform is to be displayed. Each instruction's syntax definition shows the program data and the values they accept.

When there is more than one data parameter, they are separated by commas (,). You can add spaces around the commas to improve readability.

---

## Header Types

There are three types of headers:

- Simple Command headers
- Compound Command headers
- Common Command headers

### Simple Command Header

Simple command headers contain a single mnemonic. AUTOSCALE and DIGITIZE are examples of simple command headers typically used in this oscilloscope. The syntax is:

```
<program mnemonic><terminator>
```

or

```
OUTPUT 707;" :AUTOSCALE"
```

When program data must be included with the simple command header (for example, :DIGITIZE CHAN1), white space is added to separate the data from the header. The syntax is:

```
<program mnemonic><separator><program data><terminator>
```

or

```
OUTPUT 707;" :DIGITIZE CHANNEL1,FUNCTION2"
```

### Compound Command Header

Compound command headers are a combination of two program mnemonics. The first mnemonic selects the subsystem, and the second mnemonic selects the function within that subsystem. The mnemonics within the compound message are separated by colons. For example:

To execute a single function within a subsystem:

```
:<subsystem>:<function><separator><program data><terminator>
```

For example:

```
OUTPUT 707;" :CHANNEL1:BWLIMIT ON"
```

### **Combining Commands in the Same Subsystem**

To execute more than one command within the same subsystem, use a semi-colon (;) to separate the commands:

```
:<subsystem>:<command><separator><data>;<command><separator><data><terminator>
```

For example:

```
:CHANNEL1:INPUT DC;BWLIMIT ON
```

### **Common Command Header**

Common command headers, such as clear status, control the IEEE 488.2 functions within the oscilloscope. The syntax is:

```
*<command header><terminator>
```

No space or separator is allowed between the asterisk (\*) and the command header. \*CLS is an example of a common command header.

## Duplicate Mnemonics

Identical function mnemonics can be used for more than one subsystem. For example, you can use the function mnemonic RANGE to change both the vertical range and horizontal range:

To set the vertical range of channel 1 to 0.4 volts full scale:

```
:CHANNEL1:RANGE .4
```

To set the horizontal time base to 1 second full scale:

```
:TIMEBASE:RANGE 1
```

In these examples, CHANNEL1 and TIMEBASE are subsystem selectors, and determine the range type being modified.

## Query Headers

A command header immediately followed by a question mark (?) is a query. After receiving a query, the oscilloscope interrogates the requested subsystem and places the answer in its output queue. The answer remains in the output queue until it is read or until another command is issued. When read, the answer is transmitted across the bus to the designated listener (typically a computer). For example, the query:

```
:TIMEBASE:RANGE?
```

places the current time base setting in the output queue.

In HP BASIC, the computer input statement:

```
ENTER < device address > ;Range
```

passes the value across the bus to the computer and places it in the variable Range.

You can use queries to find out how the oscilloscope is currently configured and to get results of measurements made by the oscilloscope.

For example, the command:

```
:MEASURE:RISETIME?
```

tells the oscilloscope to measure the rise time of your waveform and place the result in the output queue.

The output queue must be read before the next program message is sent. For example, when you send the query :MEASURE:RISETIME?, you must follow it with an input statement. In HP BASIC, this is usually done with an ENTER statement immediately followed by a variable name. This statement reads the result of the query and places the result in a specified variable.

### **Handle Queries Properly**

**If you send another command or query before reading the result of a query, the output buffer is cleared and the current response is lost. This also generates a query-interrupted error in the error queue. If you execute an input statement before you send a query, it will cause the computer to wait indefinitely.**

---

## Program Header Options

You can send program headers using any combination of uppercase or lowercase ASCII characters. Oscilloscope responses, however, are always returned in uppercase.

You may send program command and query headers in either long form (complete spelling), short form (abbreviated spelling), or any combination of long form and short form. For example:

:TIMEBASE:DELAY 1E-6 is the long form.

:TIM:DEL 1E-6 is the short form.

### **Using Long Form or Short Form**

**Programs written in long form are easily read and are almost self-documenting. The short form syntax conserves the amount of computer memory needed for program storage and reduces I/O activity.**

The rules for the short form syntax are described in the chapter, “Programming Conventions.”

---

## Character Program Data

Character program data is used to convey parameter information as alpha or alphanumeric strings. For example, the :TIMEBASE:REFERENCE command can be set to left, center, or right. The character program data in this case may be LEFT, CENTER, or RIGHT. The command :TIMEBASE:REFERENCE RIGHT sets the time base reference to right.

The available mnemonics for character program data are always included with the instruction's syntax definition. You may send either the long form of commands, or the short form (if one exists). You may mix uppercase and lowercase letters freely. When receiving responses, uppercase letters are used exclusively.

## Numeric Program Data

Some command headers require program data to be expressed numerically. For example, :TIMEBASE:RANGE requires the desired full-scale range to be expressed numerically.

For numeric program data, you can use exponential notation or suffix multipliers to indicate the numeric value. The following numbers are all equal:

$28 = 0.28E2 = 280E-1 = 28000m = 0.028K = 28E-3K$

When a syntax definition specifies that a number is an integer, it means that the number should be whole. Any fractional part is ignored and truncated. Numeric data parameters that accept fractional values are called real numbers. For more information see the chapter, “Interface Functions.”

All numbers are expected to be strings of ASCII characters.

- When sending the number 9, you would send a byte representing the ASCII code for the character “9” (which is 57).
- A three-digit number like 102 would take up three bytes (ASCII codes 49, 48, and 50). The number of bytes is figured automatically when you include the entire instruction in a string.



---

## Embedded Strings

Embedded strings contain groups of alphanumeric characters which are treated as a unit of data by the oscilloscope. An example of this is the line of text written to the advisory line of the oscilloscope with the :SYSTEM:DSP command:

```
:SYSTEM:DSP "This is a message."
```

You may delimit embedded strings with either single (') or double (") quotation marks. These strings are case-sensitive, and spaces are also legal characters.

---

## Program Message Terminator

The program instructions within a data message are executed after the program message terminator is received. The terminator may be either an NL (New Line) character, an EOI (End-Of-Identify) asserted in the GPIB interface, or a combination of the two. Asserting the EOI sets the EOI control line low on the last byte of the data message. The NL character is an ASCII linefeed (decimal 10).

### **New Line Terminator Functions Like EOS and EOT**

**The NL (New Line) terminator has the same function as an EOS (End Of String) and EOT (End Of Text) terminator.**

## Common Commands within a Subsystem

Common commands can be received and processed by the oscilloscope whether they are sent over the bus as separate program messages or within other program messages. If you have selected a subsystem, and a common command is received by the oscilloscope, the oscilloscope remains in the selected subsystem. For example, if the program message

```
" :ACQUIRE:AVERAGE ON; *CLS; COUNT 1024 "
```

is received by the oscilloscope, the oscilloscope turns averaging on, then clears the status information without leaving the selected subsystem.

If some other type of command is received within a program message, you must re-enter the original subsystem after the command. For example, the program message

```
" :ACQUIRE:AVERAGE ON; :AUTOSCALE; :ACQUIRE:AVERAGE:COUNT 1024 "
```

turns averaging on, completes the autoscale operation, then sets the acquire average count. Here, :ACQUIRE must be sent again after AUTOSCALE to re-enter the ACQUIRE subsystem and set the count.

---

## Selecting Multiple Subsystems

You can send multiple program commands and program queries for different subsystems on the same line by separating each command with a semicolon. The colon following the semicolon lets you enter a new subsystem. For example:

```
<program mnemonic><data>;:<program mnemonic><data><terminator>  
:CHANNEL1:RANGE 0.4;:TIMEBASE:RANGE 1
```

### **You can Combine Compound and Simple Commands**

**Multiple program commands may be any combination of compound and simple commands.**

---

## Programming Getting Started

The remainder of this chapter explains how to set up the oscilloscope, how to retrieve setup information and measurement results, how to digitize a waveform, and how to pass data to the computer. The chapter, "Measure Commands" describes sending measurement data to the oscilloscope.

---

---

## Initialization

To make sure the bus and all appropriate interfaces are in a known state, begin every program with an initialization statement. For example, HP BASIC provides a CLEAR command which clears the interface buffer:

```
CLEAR 707 ! initializes the interface of the oscilloscope
```

When you are using GPIB, CLEAR also resets the oscilloscope's parser. The parser is the program that reads in the instructions you send.

After clearing the interface, initialize the oscilloscope to a preset state:

```
OUTPUT 707;"*RST" ! initializes the oscilloscope to a preset state
```

### Initializing the Oscilloscope

**The commands and syntax for initializing the oscilloscope are discussed in the chapter, "Common Commands." Refer to your GPIB manual and programming language reference manual for information on initializing the interface.**

### Autoscale

The AUTOSCALE feature of Agilent Technologies digitizing oscilloscopes performs a very useful function on unknown waveforms by automatically setting up the vertical channel, time base, and trigger level of the oscilloscope.

The syntax for the autoscale function is:

```
:AUTOSCALE<terminator>
```

### Setting Up the Oscilloscope

A typical oscilloscope setup configures the vertical range and offset voltage, the horizontal range, delay time, delay reference, trigger mode, trigger level, and slope.

A typical example of the commands sent to the oscilloscope are:

```
:CHANNEL1:PROBE 10; RANGE 16;OFFSET 1.00<terminator>  
:SYSTEM:HEADER OFF<terminator>  
:TIMEBASE:RANGE 1E-3;DELAY 100E-6<terminator>
```

This example sets the time base at 1 ms full-scale (100  $\mu$ s/div), with delay of 100  $\mu$ s. Vertical is set to 16 V full-scale (2 V/div), with center of screen at 1 V, and probe attenuation of 10.

## Example Program using HP Basic

This program demonstrates the basic command structure used to program the oscilloscope.

```
10 CLEAR 707! Initialize oscilloscope interface
20 OUTPUT 707;"*RST"!Initialize oscilloscope to preset state
30 OUTPUT 707;":TIMEBASE:RANGE 5E-4"! Time base to 500 us full scale
40 OUTPUT 707;":TIMEBASE:DELAY 0"! Delay to zero
50 OUTPUT 707;":TIMEBASE:REFERENCE CENTER"! Display reference at center
60 OUTPUT 707;":CHANNEL1:PROBE 10"! Probe attenuation to 10:1
70 OUTPUT 707;":CHANNEL1:RANGE 1.6"! Vertical range to 1.6 V full scale
80 OUTPUT 707;":CHANNEL1:OFFSET -.4"! Offset to -0.4
90 OUTPUT 707;":CHANNEL1:INPUT DC"! Coupling to DC
100 OUTPUT 707;":TRIGGER:MODE EDGE"! Edge triggering
110 OUTPUT 707;":TRIGGER:LEVEL CHAN1,-.4"! Trigger level to -0.4
120 OUTPUT 707;":TRIGGER:SLOPE POSITIVE"! Trigger on positive slope
125 OUTPUT 707;":SYSTEM:HEADER OFF<terminator>
130 OUTPUT 707;":ACQUIRE:MODE RTIME"! Normal acquisition
140 OUTPUT 707;":DISPLAY:GRATICULE FRAME"! Grid off
150 END
```

### Overview of the Program

- Line 10 initializes the oscilloscope interface to a known state.
- Line 20 initializes the oscilloscope to a preset state.
- Lines 30 through 50 set the time base, the horizontal time at 500  $\mu$ s full scale, and 0 s of delay referenced at the center of the graticule.
- Lines 60 through 90 set 10:1 probe attenuation, set the vertical range to 1.6 volts full scale, center screen at  $-0.4$  volts, and select DC 1 Mohm impedance coupling.
- Lines 100 through 120 configure the oscilloscope to trigger at  $-0.4$  volts with positive edge triggering.
- Line 125 turns system headers off.
- Line 130 configures the oscilloscope for real time acquisition.
- Line 140 turns the grid off.

## Using the DIGITIZE Command

The DIGITIZE command is a macro that captures data using the acquisition (ACQUIRE) subsystem. When the digitize process is complete, the acquisition is stopped. You can measure the captured data by using the oscilloscope or by transferring the data to a computer for further analysis. The captured data consists of two parts: the preamble and the waveform data record.

After changing the oscilloscope configuration, the waveform buffers are cleared. Before doing a measurement, you should send the DIGITIZE command to ensure new data has been collected.

You can send the DIGITIZE command with no parameters for a higher throughput. Refer to the DIGITIZE command in the chapter, “Root Level Commands” for details.

When the DIGITIZE command is sent to an oscilloscope, the specified channel's waveform is digitized using the current ACQUIRE parameters. Before sending the :WAVEFORM:DATA? query to download waveform data to your computer, you should specify the WAVEFORM parameters.

The number of data points comprising a waveform varies according to the number requested in the ACQUIRE subsystem. The ACQUIRE subsystem determines the number of data points, type of acquisition, and number of averages used by the DIGITIZE command. This lets you specify exactly what the digitized information contains. The following program example shows a typical setup:

```
OUTPUT 707;" :SYSTEM:HEADER OFF<terminator>
OUTPUT 707;" :ACQUIRE:MODE RTIME"<terminator>
OUTPUT 707;" :ACQUIRE:COMPLETE 100"<terminator>
OUTPUT 707;" :WAVEFORM:SOURCE CHANNEL1"<terminator>
OUTPUT 707;" :WAVEFORM:FORMAT BYTE"<terminator>
OUTPUT 707;" :ACQUIRE:COUNT 8"<terminator>
OUTPUT 707;" :ACQUIRE:POINTS 500"<terminator>
OUTPUT 707;" :DIGITIZE CHANNEL1"<terminator>
OUTPUT 707;" :WAVEFORM:DATA? "<terminator>
```

This setup places the oscilloscope into the real time sampling mode using eight averages. This means that when the DIGITIZE command is received, the command will execute until the waveform has been averaged at least eight times.

After receiving the :WAVEFORM:DATA? query, the oscilloscope will start downloading the waveform information.

Digitized waveforms are passed from the oscilloscope to the computer by sending a numerical representation of each digitized point. The format of the numerical representation is controlled by using the :WAVEFORM:FORMAT command and may be selected as BYTE, WORD, or ASCII.

## **Introduction to Programming Using the DIGITIZE Command**

The easiest method of receiving a digitized waveform depends on data structures, available formatting, and I/O capabilities. You must convert the data values to determine the voltage value of each point. These data values are passed starting with the left most point on the oscilloscope's display. For more information, refer to the chapter, "Waveform Commands."

When using GPIB, you may abort a digitize operation by sending a Device Clear over the bus (for example, CLEAR 707).

---

## Receiving Information from the Oscilloscope

After receiving a query (a command header followed by a question mark), the oscilloscope places the answer in its output queue. The answer remains in the output queue until it is read or until another command is issued. When read, the answer is transmitted across the interface to the computer. The input statement for receiving a response message from an oscilloscope's output queue typically has two parameters; the device address and a format specification for handling the response message. For example, to read the result of the query command :CHANNEL1:INPUT? you would execute the HP BASIC statement:

```
ENTER <device address> ;Setting$
```

This would enter the current setting for the channel 1 coupling in the string variable Setting\$. The device address parameter represents the address of the oscilloscope.

All results for queries sent in a program message must be read before another program message is sent. For example, when you send the query :MEASURE:RISETIME?, you must follow that query with an input statement. In HP BASIC, this is usually done with an ENTER statement.

### **Handle Queries Properly**

**If you send another command or query before reading the result of a query, the output buffer will be cleared and the current response will be lost. This will also generate a query-interrupted error in the error queue. If you execute an input statement before you send a query, it will cause the computer to wait indefinitely.**

The format specification for handling response messages depends on both the computer and the programming language.

## String Variable Example

The output of the oscilloscope may be numeric or character data depending on what is queried. Refer to the specific commands for the formats and types of data returned from queries.

For the example programs, assume that the device being programmed is at device address 707. The actual address depends on how you have configured the bus for your own application.

In HP BASIC 5.0, string variables are case-sensitive, and must be expressed exactly the same each time they are used. This example shows the data being returned to a string variable:

```
10 DIM Rang$[30]
20 OUTPUT 707;" :CHANNEL1:RANGE?"
30 ENTER 707;Rang$
40 PRINT Rang$
50 END
```

After running this program, the computer displays:

+8.00000E-01

---

## Numeric Variable Example

This example shows the data being returned to a numeric variable:

```
10 OUTPUT 707;" :CHANNEL1:RANGE?"
20 ENTER 707;Rang
30 PRINT Rang
40 END
```

After running this program, the computer displays:

.8

---



## Definite-Length Block Response Data

Definite-length block response data allows any type of device-dependent data to be transmitted over the system interface as a series of 8-bit binary data bytes. This is particularly useful for sending large quantities of data or 8-bit extended ASCII codes. The syntax is a pound sign ( # ) followed by a non-zero digit representing the number of digits in the decimal integer. After the non-zero digit is the decimal integer that states the number of 8-bit data bytes being sent. This is followed by the actual data.

For example, for transmitting 4000 bytes of data, the syntax would be:

```
#44000 <4000 bytes of data> <terminator>
```

The lifetimes “4” represents the number of digits in the number of bytes, and “4000” represents the number of bytes to be transmitted.

## Multiple Queries

You can send multiple queries to the oscilloscope within a single program message, but you must also read them back within a single program message. This can be accomplished by either reading them back into a string variable or into multiple numeric variables. For example, you could read the result of the query `:TIMEBASE:RANGE?;DELAY?` into the string variable `Results$` with the command:

```
ENTER 707;Results$
```

When you read the result of multiple queries into string variables, each response is separated by a semicolon. For example, the response of the query `:TIMEBASE:RANGE?;DELAY?` would be:

```
<range_value>;<delay_value>
```

Use the following program message to read the query `:TIMEBASE:RANGE?;DELAY?` into multiple numeric variables:

```
ENTER 707;Result1,Result2
```

---

## Oscilloscope Status

Status registers track the current status of the oscilloscope. By checking the oscilloscope status, you can find out whether an operation has completed and is receiving triggers. The chapter, “Status Reporting” explains how to check the status of the oscilloscope.



---

## LAN and GPIB Interfaces

There are several types of interfaces that can be used to remotely program the Infiniium oscilloscope: Local Area Network (LAN) interface and GPIB interface. Telnet and sockets can also be used to connect to the oscilloscope.

---

## LAN Interface Connector

The oscilloscope is equipped with a LAN interface RJ-45 connector on the rear panel. This allows direct connect to your network. However, before you can use the LAN interface to program the oscilloscope, the network properties must be configured. Unless you are a Network Administrator, you should contact your Network Administrator to add the appropriate client, protocols, and configuration information for your LAN. This information is different for every company.

---

## GPIB Interface Connector

The oscilloscope is equipped with a GPIB interface connector on the rear panel. This allows direct connection to a GPIB equipped computer. You can connect an external GPIB compatible device to the oscilloscope by installing a GPIB cable between the two units. Finger tighten the captive screws on both ends of the GPIB cable to avoid accidentally disconnecting the cable during operation.

A maximum of fifteen GPIB compatible instruments (including a computer) can be interconnected in a system by stacking connectors. This allows the oscilloscopes to be connected in virtually any configuration, as long as there is a path from the computer to every device operating on the bus.

---

### **CAUTION**

Avoid stacking more than three or four cables on any one connector. Multiple connectors produce leverage that can damage a connector mounting.

## Default Startup Conditions

The following default conditions are established during power-up:

- The Request Service (RQS) bit in the status byte register is set to zero.
- All of the event registers are cleared.
- The Standard Event Status Enable Register is set to 0xFF hex.
- Service Request Enable Register is set to 0x80 hex.
- The Operation Status Enable Register is set to 0xFFFF hex.
- The Overload Event Enable Register is set to 0xFF hex.
- The Mask Test Event Enable Register is set to 0xFF hex.

You can change the default conditions using the \*PSC command with a parameter of 1 (one). When set to 1, the Standard Event Status Enable Register is set 0x00 hex and the Service Request Enable Register is set to 0x00 hex. This prevents the Power On (PON) event from setting the SRQ interrupt when the oscilloscope is ready to receive commands.

---

## Interface Capabilities

The interface capabilities of this oscilloscope, as defined by IEEE 488.1 and IEEE 488.2, are listed in Table 2-1.

**Table 2-1**

<b>Interface Capabilities</b>		
<b>Code</b>	<b>Interface Function</b>	<b>Capability</b>
<b>SH1</b>	<b>Source Handshake</b>	<b>Full Capability</b>
<b>AH1</b>	<b>Acceptor Handshake</b>	<b>Full Capability</b>
<b>T5</b>	<b>Talker</b>	<b>Basic Talker/Serial Poll/Talk Only Mode/ Unaddress if Listen Address (MLA)</b>
<b>L4</b>	<b>Listener</b>	<b>Basic Listener/ Unaddresses if Talk Address (MTA)</b>
<b>SR1</b>	<b>Service Request</b>	<b>Full Capability</b>
<b>RL1</b>	<b>Remote Local</b>	<b>Complete Capability</b>
<b>PP0</b>	<b>Parallel Poll</b>	<b>No Capability</b>
<b>DC1</b>	<b>Device Clear</b>	<b>Full Capability</b>
<b>DT1</b>	<b>Device Trigger</b>	<b>Full Capability</b>
<b>C0</b>	<b>Computer</b>	<b>No Capability</b>
<b>E2</b>	<b>Driver Electronics</b>	<b>Tri State (1 MB/SEC MAX)</b>

## GPIB Command and Data Concepts

The GPIB interface has two modes of operation: command mode and data mode. The interface is in the command mode when the Attention (ATN) control line is true. The command mode is used to send talk and listen addresses and various interface commands such as group execute trigger (GET).

The interface is in the data mode when the ATN line is false. The data mode is used to convey device-dependent messages across the bus. The device-dependent messages include all of the oscilloscope-specific commands, queries, and responses found in this manual, including oscilloscope status information.



---

## Communicating Over the GPIB Interface

Device addresses are sent by the computer in the command mode to specify who talks and who listens. Because GPIB can address multiple devices through the same interface card, the device address passed with the program message must include the correct interface select code and the correct oscilloscope address.

Device Address = (Interface Select Code \* 100) + Oscilloscope Address

### **The Oscilloscope is at Address 707 for Programming Examples**

**The programming examples in this manual assume that the oscilloscope is at device address 707.**

### **Interface Select Code**

Each interface card has a unique interface select code. This code is used by the computer to direct commands and communications to the proper interface. The default is typically “7” for the GPIB interface cards.

### **Oscilloscope Address**

Each oscilloscope on the GPIB must have a unique oscilloscope address between decimal 0 and 30. This oscilloscope address is used by the computer to direct commands and communications to the proper oscilloscope on an interface. The default is typically “7” for this oscilloscope. You can change the oscilloscope address in the Utilities, Remote Interface dialog box.

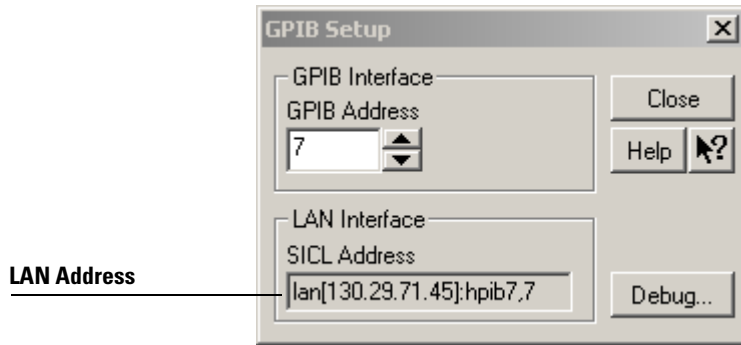
### **Do Not Use Address 21 for an Oscilloscope Address**

**Address 21 is usually reserved for the Computer interface Talk/Listen address, and should not be used as an oscilloscope address.**

---

## Communicating Over the LAN Interface

The device address used to send commands and receive data using the LAN interface is located in the GPIB Setup dialog box as shown below.



### GPIB Setup Dialog Box

The following C example program shows how to communicate with the oscilloscope using the LAN interface and the Agilent Standard Instrument Control Library (SICL).

```
#include <sicl.h>

#define BUFFER_SIZE 1024

main()
{
    INST Bus;
    int reason;
    unsigned long actualcnt;
    char buffer[ BUFFER_SIZE ];

    /* Open the LAN interface */
    Bus = iopen( "lan[130.29.71.45]:hpib7,7" );
    if( Bus != 0 ) {
        /* Bus timeout set to 20 seconds */
        itimeout( Bus, 20000 );

        /* Clear the interface */
        iclear( Bus );
        /* Query and print the oscilloscope's Id */
        iwrite( Bus, "*IDN?", 5, 1, &actualcnt );
        iread( Bus, buffer, BUFFER_SIZE, &reason, &actualcnt );
    }
}
```

```
buffer[ actualcnt - 1 ] = 0;  
  
printf( "%s\n", buffer );  
fclose( Bus );  
}  
}
```

## Communicating via Telnet and Sockets

### **Telnet**

To open a connection to the oscilloscope via a telnet connection, use the following syntax in a command prompt:

```
telnet Oscilloscope_IP_Address 5024
```

5024 is the port number and the name of the oscilloscope can be used in place of the IP address if desired.

After typing the above command line, press enter and a SCPI command line interface will open. You can then use this as you typically would use a command line.

### **Sockets**

Sockets can be used to connect to your oscilloscope on either a Windows or Unix machine.

The sockets are located on port 5025 on your oscilloscope. Between ports 5024 and 5025, only 6 socket ports can be opened simultaneously. It is, therefore, important that you use a proper close routine to close the connection to the oscilloscope. If you forget this, the connection will remain open and you may end up exceeding the limit of 6 socket ports.

Some basic commands used in communicating to your oscilloscope include:

- The receive command is: `recv`
- The send command is: `send`

Below is a programming example (for a Windows-based machine) for opening and closing a connection to your oscilloscope via sockets.

```
#include <winsock2.h>

Void main()
{
    WSADATA wsaData;
    SOCKET mysocket = NULL;
    char* ipAddress = "130.29.70.70";
    const int ipPort = 5025

    //Initialize Winsock
    int iResult = WSASStartup(MAKEWORD(2,2), &wsaData);
    if(iResult != NO_ERROR)
    {
        printf("Error at WSASStartup()\n");
        return NULL;
    }

    // Create the socket
    mySocket = socket(AF_INET, SOCK_STREAM, IPPROTO_TCP);
    if(mySocket == INVALID_SOCKET)
    {
        printf("Error at socket(): %ld\n", WSAGetLastError());
        WSACleanup();
        return NULL;
    }

    sockaddr_in clientService;
    clientService.sin_family = AF_INET;
    clientService.sin_addr.s_addr = inet_addr(ipAddress);
    clientService.sin_port = htons(ipPort);

    if(connect(mySocket, (SOCKADDR*) &clientService,
sizeof(clientService)))
    {
        printf("Failed to connect.\n");
        WSACleanup();
        return NULL;
    }

    // Do some work here

    // Close socket when finished
    closesocket(mySocket);
}
```

**LAN and GPIB Interfaces**  
**Communicating via Telnet and Sockets**

## Bus Commands

The following commands are IEEE 488.1 bus commands (ATN true). IEEE 488.2 defines many of the actions that are taken when these commands are received by the oscilloscope.

### **Device Clear**

The device clear (DCL) and selected device clear (SDC) commands clear the input buffer and output queue, reset the parser, and clear any pending commands. If either of these commands is sent during a digitize operation, the digitize operation is aborted.

### **Group Execute Trigger**

The group execute trigger (GET) command arms the trigger. This is the same action produced by sending the RUN command.

### **Interface Clear**

The interface clear (IFC) command halts all bus activity. This includes unaddressing all listeners and the talker, disabling serial poll on all devices, and returning control to the system computer.

**LAN and GPIB Interfaces**  
**Bus Commands**



---

Message Communication and System  
Functions

---

# Message Communication and System Functions

This chapter describes the operation of oscilloscopes that operate in compliance with the IEEE 488.2 (syntax) standard. It is intended to give you enough basic information about the IEEE 488.2 standard to successfully program the oscilloscope. You can find additional detailed information about the IEEE 488.2 standard in ANSI/IEEE Std 488.2-1987, *“IEEE Standard Codes, Formats, Protocols, and Common Commands.”*

This oscilloscope series is designed to be compatible with other Agilent Technologies IEEE 488.2 compatible instruments. Oscilloscopes that are compatible with IEEE 488.2 must also be compatible with IEEE 488.1 (GPIB bus standard); however, IEEE 488.1 compatible oscilloscopes may or may not conform to the IEEE 488.2 standard. The IEEE 488.2 standard defines the message exchange protocols by which the oscilloscope and the computer will communicate. It also defines some common capabilities that are found in all IEEE 488.2 oscilloscopes. This chapter also contains some information about the message communication and system functions not specifically defined by IEEE 488.2.

## Protocols

The message exchange protocols of IEEE 488.2 define the overall scheme used by the computer and the oscilloscope to communicate. This includes defining when it is appropriate for devices to talk or listen, and what happens when the protocol is not followed.

### Functional Elements

Before proceeding with the description of the protocol, you should understand a few system components, as described here.

#### Input Buffer

The input buffer of the oscilloscope is the memory area where commands and queries are stored prior to being parsed and executed. It allows a computer to send a string of commands, which could take some time to execute, to the oscilloscope, then proceed to talk to another oscilloscope while the first oscilloscope is parsing and executing commands.

#### Output Queue

The output queue of the oscilloscope is the memory area where all output data or response messages are stored until read by the computer.

#### Parser

The oscilloscope's parser is the component that interprets the commands sent to the oscilloscope and decides what actions should be taken. "Parsing" refers to the action taken by the parser to achieve this goal. Parsing and execution of commands begins when either the oscilloscope recognizes a program message terminator, or the input buffer becomes full. If you want to send a long sequence of commands to be executed, then talk to another oscilloscope while they are executing, you should send all of the commands before sending the program message terminator.

### **Protocol Overview**

The oscilloscope and computer communicate using program messages and response messages. These messages serve as the containers into which sets of program commands or oscilloscope responses are placed.

A program message is sent by the computer to the oscilloscope, and a response message is sent from the oscilloscope to the computer in response to a query message. A query message is defined as being a program message that contains one or more queries. The oscilloscope will only talk when it has received a valid query message, and therefore has something to say. The computer should only attempt to read a response after sending a complete query message, but before sending another program message.

#### **Remember this Rule of Oscilloscope Communication**

**The basic rule to remember is that the oscilloscope will only talk when prompted to, and it then expects to talk before being told to do something else.**

### **Protocol Operation**

When you turn the oscilloscope on, the input buffer and output queue are cleared, and the parser is reset to the root level of the command tree.

The oscilloscope and the computer communicate by exchanging complete program messages and response messages. This means that the computer should always terminate a program message before attempting to read a response. The oscilloscope will terminate response messages except during a hard copy output.

After you send a query message, the next message should be the response message. The computer should always read the complete response message associated with a query message before sending another program message to the same oscilloscope.

The oscilloscope allows the computer to send multiple queries in one query message. This is called sending a “compound query.” Multiple queries in a query message are separated by semicolons. The responses to each of the queries in a compound query will also be separated by semicolons.

Commands are executed in the order they are received.

### **Protocol Exceptions**

If an error occurs during the information exchange, the exchange may not be completed in a normal manner.

### Suffix Multiplier

The suffix multipliers that the oscilloscope will accept are shown in Table 3-1.

Table 3-1

<b>&lt;suffix mult&gt;</b>			
<b>Value</b>	<b>Mnemonic</b>	<b>Value</b>	<b>Mnemonic</b>
<b>1E18</b>	<b>EX</b>	<b>1E-3</b>	<b>M</b>
<b>1E15</b>	<b>PE</b>	<b>1E-6</b>	<b>U</b>
<b>1E12</b>	<b>T</b>	<b>1E-9</b>	<b>N</b>
<b>1E9</b>	<b>G</b>	<b>1E-12</b>	<b>P</b>
<b>1E6</b>	<b>MA</b>	<b>1E-15</b>	<b>F</b>
<b>1E3</b>	<b>K</b>	<b>1E-18</b>	<b>A</b>

### Suffix Unit

The suffix units that the oscilloscope will accept are shown in Table 3-2.

Table 3-2

<b>&lt;suffix unit&gt;</b>	
<b>Suffix</b>	<b>Referenced Unit</b>
<b>V</b>	<b>Volt</b>
<b>S</b>	<b>Second</b>





---

## Status Reporting

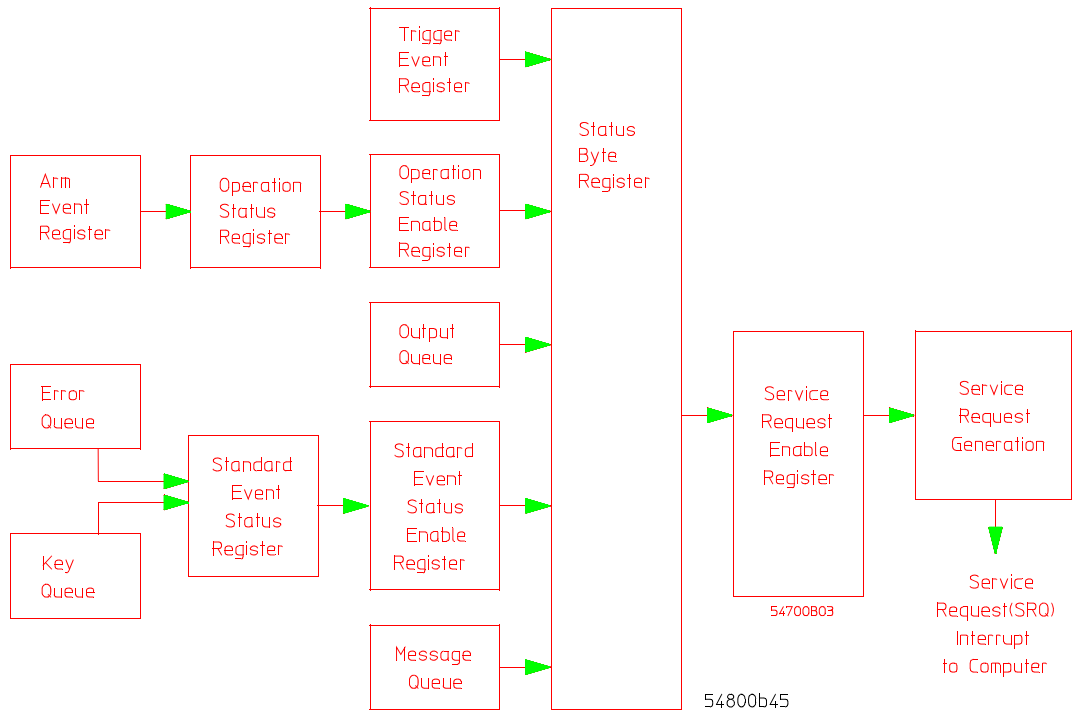
An overview of the oscilloscope's status reporting structure is shown in Figure 4-1. The status reporting structure shows you how to monitor specific events in the oscilloscope. Monitoring these events lets you determine the status of an operation, the availability and reliability of the measured data, and more.

- To monitor an event, first clear the event, then enable the event. All of the events are cleared when you initialize the oscilloscope.
- To generate a service request (SRQ) interrupt to an external computer, enable at least one bit in the Status Byte Register.

The Status Byte Register, the Standard Event Status Register group, and the Output Queue are defined as the Standard Status Data Structure Model in IEEE 488.2-1987. IEEE 488.2 defines data structures, commands, and common bit definitions for status reporting. There are also oscilloscope-defined structures and bits.



**Figure 4-1**



**Status Reporting Overview Block Diagram**

The status reporting structure consists of the registers shown here.

Table 4-1 lists the bit definitions for each bit in the status reporting data structure.

**Table 4-1**

**Status Reporting Bit Definition**

Bit	Description	Definition
PON	Power On	Indicates power is turned on.
URQ	User Request	Not Used. Permanently set to zero.
CME	Command Error	Indicates if the parser detected an error.
EXE	Execution Error	Indicates if a parameter was out of range or was inconsistent with the current settings.
DDE	Device Dependent Error	Indicates if the device was unable to complete an operation for device-dependent reasons.
QYE	Query Error	Indicates if the protocol for queries has been violated.
RQL	Request Control	Indicates if the device is requesting control.

<b>Bit</b>	<b>Description</b>	<b>Definition</b>
<b>OPC</b>	<b>Operation Complete</b>	Indicates if the device has completed all pending operations.
<b>OPER</b>	<b>Operation Status Register</b>	Indicates if any of the enabled conditions in the Operation Status Register have occurred.
<b>RQS</b>	<b>Request Service</b>	Indicates that the device is requesting service.
<b>MSS</b>	<b>Master Summary Status</b>	Indicates if a device has a reason for requesting service.
<b>ESB</b>	<b>Event Status Bit</b>	Indicates if any of the enabled conditions in the Standard Event Status Register have occurred.
<b>MAV</b>	<b>Message Available</b>	Indicates if there is a response in the output queue.
<b>MSG</b>	<b>Message</b>	Indicates if an advisory has been displayed.
<b>USR</b>	<b>User Event Register</b>	Indicates if any of the enabled conditions have occurred in the User Event Register.
<b>TRG</b>	<b>Trigger</b>	Indicates if a trigger has been received.
<b>WAIT TRIG</b>	<b>Wait for Trigger</b>	Indicates the oscilloscope is armed and ready for trigger.

---

## Status Reporting Data Structures

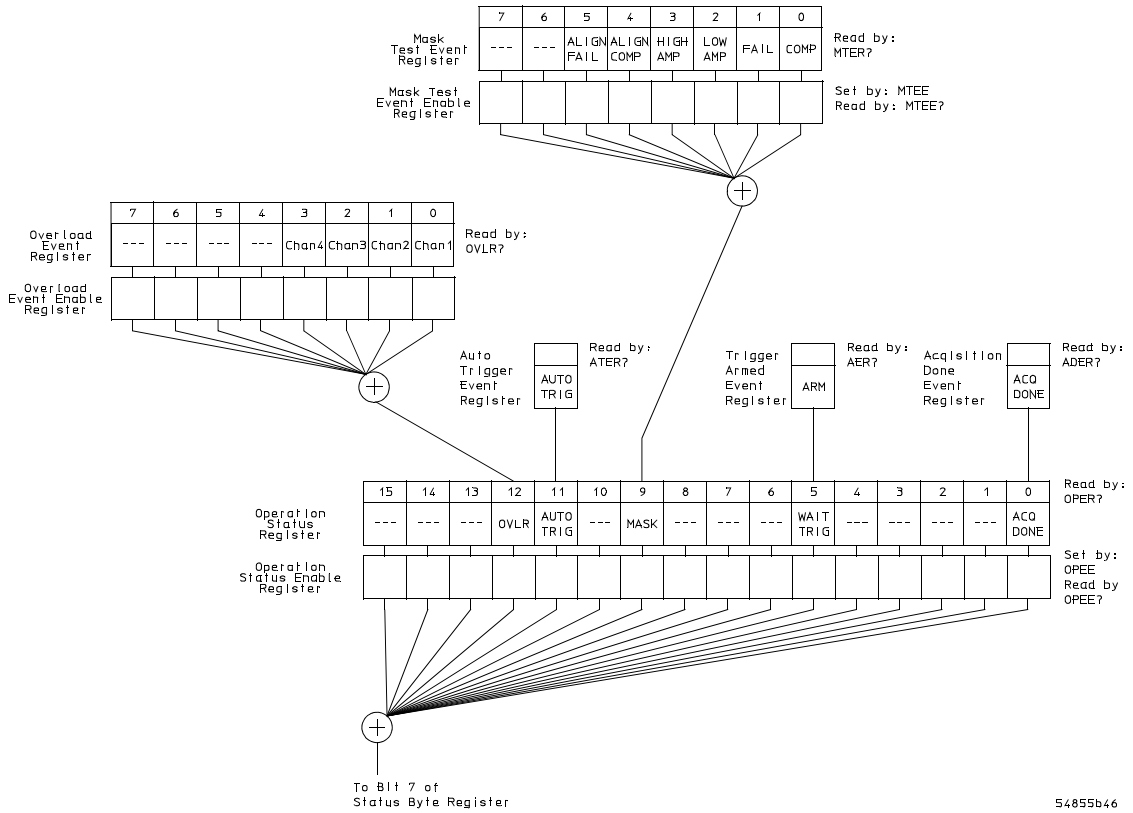
The different status reporting data structures, descriptions, and interactions are shown in Figure 4-2. To make it possible for any of the Standard Event Status Register bits to generate a summary bit, you must enable the corresponding bits. These bits are enabled by using the \*ESE common command to set the corresponding bit in the Standard Event Status Enable Register.

To generate a service request (SRQ) interrupt to the computer, you must enable at least one bit in the Status Byte Register. These bits are enabled by using the \*SRE common command to set the corresponding bit in the Service Request Enable Register. These enabled bits can then set RQS and MSS (bit 6) in the Status Byte Register.

For more information about common commands, see the “Common Commands” chapter.

# Status Reporting Status Reporting Data Structures

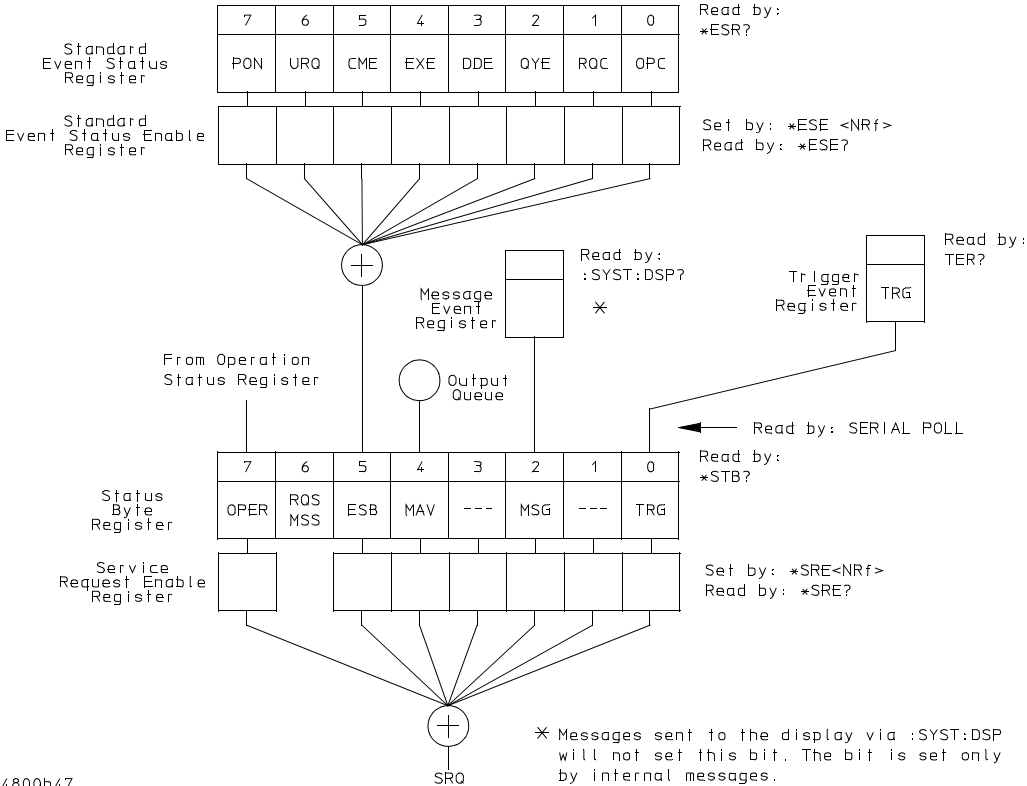
Figure 4-2



54855b46

## Status Reporting Data Structures

**Figure 4-2 (Continued)**



54800b47

**Status Reporting Data Structures (Continued)**

## Status Byte Register

The Status Byte Register is the summary-level register in the status reporting structure. It contains summary bits that monitor activity in the other status registers and queues. The Status Byte Register is a live register. That is, its summary bits are set and cleared by the presence and absence of a summary bit from other event registers or queues.

If the Status Byte Register is to be used with the Service Request Enable Register to set bit 6 (RQS/MSS) and to generate an SRQ, at least one of the summary bits must be enabled, then set. Also, event bits in all other status registers must be specifically enabled to generate the summary bit that sets the associated summary bit in the Status Byte Register.

You can read the Status Byte Register using either the \*STB? common command query or the GPIB serial poll command. Both commands return the decimal-weighted sum of all set bits in the register. The difference between the two methods is that the serial poll command reads bit 6 as the Request Service (RQS) bit and clears the bit which clears the SRQ interrupt. The \*STB? query reads bit 6 as the Master Summary Status (MSS) and does not clear the bit or have any effect on the SRQ interrupt. The value returned is the total bit weights of all of the bits that are set at the present time.

The use of bit 6 can be confusing. This bit was defined to cover all possible computer interfaces, including a computer that could not do a serial poll. The important point to remember is that if you are using an SRQ interrupt to an external computer, the serial poll command clears bit 6. Clearing bit 6 allows the oscilloscope to generate another SRQ interrupt when another enabled event occurs.

The only other bit in the Status Byte Register affected by the \*STB? query is the Message Available bit (bit 4). If there are no other messages in the Output Queue, bit 4 (MAV) can be cleared as a result of reading the response to the \*STB? query.

If bit 4 (weight = 16) and bit 5 (weight = 32) are set, a program would print the sum of the two weights. Since these bits were not enabled to generate an SRQ, bit 6 (weight = 64) is not set.

---

**Example 1**

This HP BASIC example uses the \*STB? query to read the contents of the oscilloscope's Status Byte Register when none of the register's summary bits are enabled to generate an SRQ interrupt.

```
10 OUTPUT 707;":SYSTEM:HEADER OFF;*STB?"      !Turn headers off
20 ENTER 707;Result      !Place result in a numeric variable
30 PRINT Result      !Print the result
40 End
```

---

The next program prints 132 and clears bit 6 (RQS) of the Status Byte Register. The difference in the decimal value between this example and the previous one is the value of bit 6 (weight = 64). Bit 6 is set when the first enabled summary bit is set, and is cleared when the Status Byte Register is read by the serial poll command.

---

**Example 2**

This example uses the HP BASIC serial poll (SPOLL) command to read the contents of the oscilloscope's Status Byte Register.

```
10 Result = SPOLL(707)
20 PRINT Result
30 END
```

**Use Serial Polling to Read the Status Byte Register**

**Serial polling is the preferred method to read the contents of the Status Byte Register because it resets bit 6 and allows the next enabled event that occurs to generate a new SRQ interrupt.**

---

## Service Request Enable Register

Setting the Service Request Enable Register bits enables corresponding bits in the Status Byte Register. These enabled bits can then set RQS and MSS (bit 6) in the Status Byte Register.

Bits are set in the Service Request Enable Register using the \*SRE command, and the bits that are set are read with the \*SRE? query. Bit 6 always returns 0. Refer to the Status Reporting Data Structures shown in Figure 4-2.

---

### Example

This example sets bit 4 (MAV) and bit 5 (ESB) in the Service Request Enable Register.

```
OUTPUT 707; "*SRE 48"
```

This example uses the parameter “48” to allow the oscilloscope to generate an SRQ interrupt under the following conditions:

- When one or more bytes in the Output Queue set bit 4 (MAV).
- When an enabled event in the Standard Event Status Register generates a summary bit that sets bit 5 (ESB).

---

## Message Event Register

This register sets the MSG bit in the status byte register when an internally generated message is written to the advisory line on the oscilloscope. The message is read using the :SYSTEM:DSP? query. Note that messages written to the advisory line on the oscilloscope using the :SYSTEM:DSP command does not set the MSG status bit.

---

## Trigger Event Register

This register sets the TRG bit in the status byte register when a trigger event occurs.

The trigger event register stays set until it is cleared by reading the register with the TER? query or by using the \*CLS (clear status) command. If your application needs to detect multiple triggers, the trigger event register must be cleared after each one.

If you are using the Service Request to interrupt a computer operation when the trigger bit is set, you must clear the event register after each time it is set.



---

## Standard Event Status Register

The Standard Event Status Register (SESR) monitors the following oscilloscope status events:

- PON - Power On
- CME - Command Error
- EXE - Execution Error
- DDE - Device Dependent Error
- QYE - Query Error
- RQC - Request Control
- OPC - Operation Complete

When one of these events occurs, the corresponding bit is set in the register. If the corresponding bit is also enabled in the Standard Event Status Enable Register, a summary bit (ESB) in the Status Byte Register is set.

You can read the contents of the Standard Event Status Register and clear the register by sending the \*ESR? query. The value returned is the total bit weights of all bits set at the present time.

---

### Example

This example uses the \*ESR? query to read the contents of the Standard Event Status Register.

```
10 OUTPUT 707; ":SYSTEM:HEADER OFF"           !Turn headers off
20 OUTPUT 707; "*ESR?"
30 ENTER 707;Result           !Place result in a numeric variable
40 PRINT Result           !Print the result
50 End
```

If bit 4 (weight = 16) and bit 5 (weight = 32) are set, the program prints the sum of the two weights.

---

## Standard Event Status Enable Register

For any of the Standard Event Status Register bits to generate a summary bit, you must first enable the bit. Use the \*ESE (Event Status Enable) common command to set the corresponding bit in the Standard Event Status Enable Register. Set bits are read with the \*ESE? query.

---

### Example

Suppose your application requires an interrupt whenever any type of error occurs. The error status bits in the Standard Event Status Register are bits 2 through 5. The sum of the decimal weights of these bits is 60. Therefore, you can enable any of these bits to generate the summary bit by sending:

```
OUTPUT 707; "*ESE 60"
```

Whenever an error occurs, the oscilloscope sets one of these bits in the Standard Event Status Register. Because the bits are all enabled, a summary bit is generated to set bit 5 (ESB) in the Status Byte Register.

If bit 5 (ESB) in the Status Byte Register is enabled (via the \*SRE command), a service request interrupt (SRQ) is sent to the external computer.

---

### **Disabled Standard Event Status Register Bits Respond, but Do Not Generate a Summary Bit**

**Standard Event Status Register bits that are not enabled still respond to their corresponding conditions (that is, they are set if the corresponding event occurs). However, because they are not enabled, they do not generate a summary bit in the Status Byte Register.**

---

## Operation Status Register

This register hosts the following bits:

- Acquisition done bit (bit 0)
- WAIT TRIG bit (bit 5)
- Mask Test Summary bit (bit 9)
- Auto trigger bit (bit 11)
- Overload Summary bit (bit 12)

The acquisition done bit is set by the Acquisition Done Event Register.

The WAIT TRIG bit is set by the Trigger Armed Event Register and indicates the trigger is armed.

The Mask Test Summary bit is set whenever at least one of the Mask Test Event Register bits is enabled.

The auto trigger bit is set by the Auto Trigger Event Register.

The Overload Summary bit is set whenever at least one of the Overload Event Register bits is enabled.

If any of these bits are set, the OPER bit (bit 7) of the Status Byte Register is set. The Operation Status Register is read and cleared with the OPER? query. The register output is enabled or disabled using the mask value supplied with the OPEE command.

---

## Operation Status Enable Register

For any of the Operation Status Register bits to generate a summary bit, you must first enable the bit. Use the OPEE (Operation Event Status Enable) command to set the corresponding bit in the Operation Status Enable Register. Set bits are read with the OPEE? query.

---

### Example

Suppose your application requires an interrupt whenever any event occurs in the mask test register. The error status bit in the Operation Status Register is bit 9. Therefore, you can enable this bit to generate the summary bit by sending:  
OUTPUT 707;"OPEE 512" ( hex 200 )

Whenever an error occurs, the oscilloscope sets this bit in the Mask Test Event Register. Because this bit is enabled, a summary bit is generated to set bit 9 (OPER) in the Operation Status Register.

If bit 7 (OPER) in the Status Byte Register is enabled (via the \*SRE command), a service request interrupt (SRQ) is sent to the external computer.

---

### **Disabled Operation Status Register Bits Respond, but Do Not Generate a Summary Bit**

**Operation Status Register bits that are not enabled still respond to their corresponding conditions (that is, they are set if the corresponding event occurs). However, because they are not enabled, they do not generate a summary bit in the Status Byte Register.**

---

## Mask Test Event Register

This register hosts the following bits:

- Mask Test Complete bit (bit 0)
- Mask Test Fail bit (bit 1)
- Mask Low Amplitude bit (bit 2)
- Mask High Amplitude bit (bit 3)
- Mask Align Complete bit (bit 4)
- Mask Align Fail bit (bit 5)

The Mask Test Complete bit is set whenever the mask test is complete.

The Mask Test Fail bit is set whenever the mask test failed.

The Mask Low Amplitude bit is set whenever the signal is below the mask amplitude.

The Mask High Amplitude bit is set whenever the signal is above the mask amplitude.

The Mask Align Complete bit is set whenever the mask align is complete.

The Mask Align Fail bit is set whenever the mask align failed.

If any of these bits are set, the MASK bit (bit 9) of the Operation Status Register is set. The Mask Test Event Register is read and cleared with the MTER? query. The register output is enabled or disabled using the mask value supplied with the MTEE command.

---

## Mask Test Event Enable Register

For any of the Mask Test Event Register bits to generate a summary bit, you must first enable the bit. Use the MTEE (Mask Test Event Enable) command to set the corresponding bit in the Mask Test Event Enable Register. Set bits are read with the MTEE? query.

---

### Example

Suppose your application requires an interrupt whenever a Mask Test Fail occurs in the mask test register. You can enable this bit to generate the summary bit by sending:

```
OUTPUT 707; "MTEE 2"
```

Whenever an error occurs, the oscilloscope sets the MASK bit in the Operation Status Register. Because the bits in the Operation Status Enable Register are all enabled, a summary bit is generated to set bit 7 (OPER) in the Status Byte Register.

If bit 7 (OPER) in the Status Byte Register is enabled (via the \*SRE command), a service request interrupt (SRQ) is sent to the external computer.

---

### **Disabled Mask Test Event Register Bits Respond, but Do Not Generate a Summary Bit**

**Mask Test Event Register bits that are not enabled still respond to their corresponding conditions (that is, they are set if the corresponding event occurs). However, because they are not enabled, they do not generate a summary bit in the Operation Status Register.**

---

## Trigger Armed Event Register

This register sets bit 5 (Wait Trig bit) in the Operation Status Register and bit 7 (OPER bit) in the Status Byte Register when the oscilloscope becomes armed.

The ARM event register stays set until it is cleared by reading the register with the AER? query or by using the \*CLS command. If your application needs to detect multiple triggers, the ARM event register must be cleared after each one.

If you are using the Service Request to interrupt the computer operation when the trigger bit is set, you must clear the event register after each time it is set.

---

## Acquisition Done Event Register

This register sets bit 0 (Acq Done bit) in the Operation Status Register and bit 7 (OPER bit) in the Status Byte Register when the oscilloscope acquisition is completed.

The DONE event register stays set until it is cleared by reading the register with the ADER? query or by using the \*CLS command. If your application needs to detect multiple acquisitions, the DONE event register must be cleared after each acquisition.

If you are using the Service Request to interrupt the computer operation when the trigger bit is set, you must clear the event register after each time it is set.

## Error Queue

As errors are detected, they are placed in an error queue. This queue is a first-in, first-out queue. If the error queue overflows, the last error in the queue is replaced with error -350, “Queue overflow.” Any time the queue overflows, the oldest errors remain in the queue, and the most recent error is discarded. The length of the oscilloscope's error queue is 30 (29 positions for the error messages, and 1 position for the “Queue overflow” message).

The error queue is read with the :SYSTEM:ERROR? query. Executing this query reads and removes the oldest error from the head of the queue, which opens a position at the tail of the queue for a new error. When all the errors have been read from the queue, subsequent error queries return 0, “No error.”

The error queue is cleared when any of these events occur:

- When the oscilloscope is powered up.
- When the oscilloscope receives the \*CLS common command.
- When the last item is read from the error queue.

For more information on reading the error queue, refer to the :SYSTEM:ERROR? query in the System Commands chapter. For a complete list of error messages, refer to the chapter, “Error Messages.”

---

## Output Queue

The output queue stores the oscilloscope-to-computer responses that are generated by certain oscilloscope commands and queries. The output queue generates the Message Available summary bit when the output queue contains one or more bytes. This summary bit sets the MAV bit (bit 4) in the Status Byte Register. You may read the output queue with the HP Basic ENTER statement.



---

## Message Queue

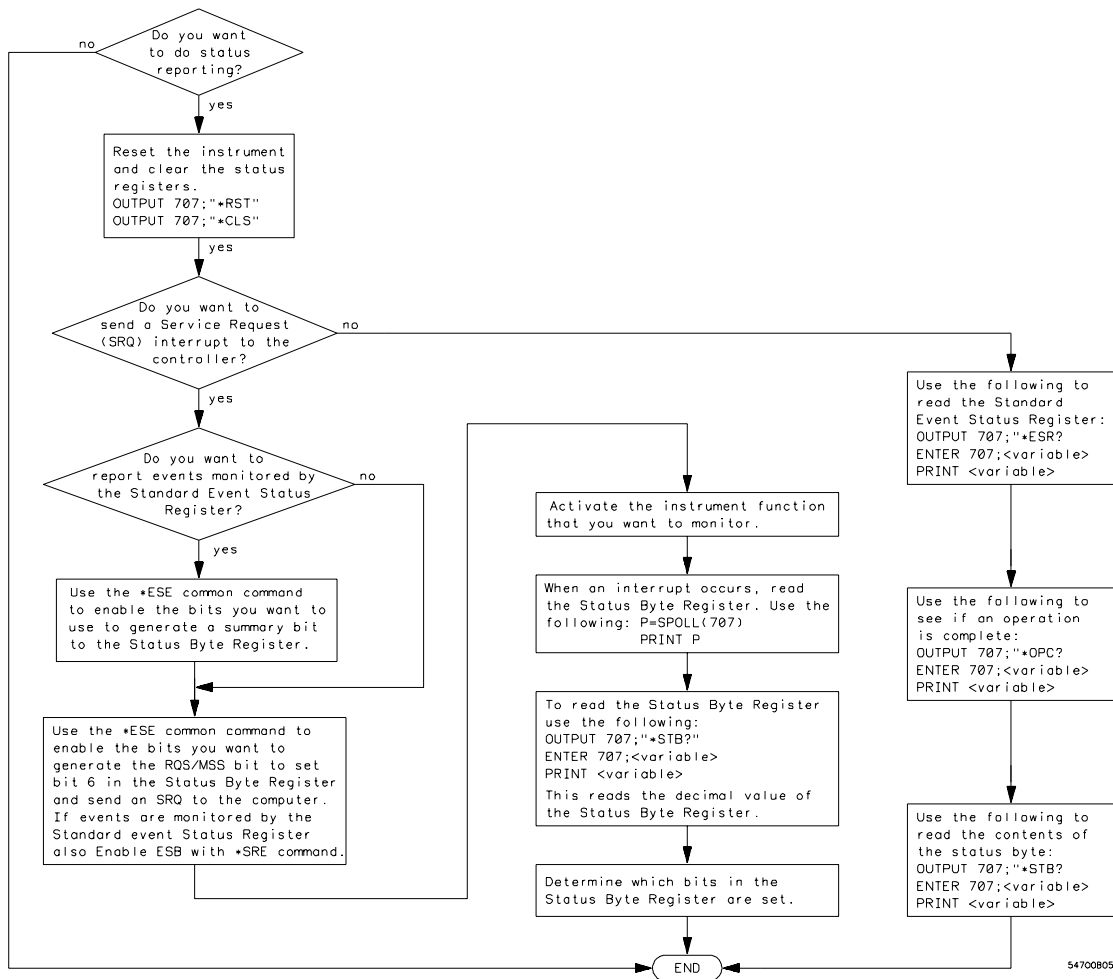
The message queue contains the text of the last message written to the advisory line on the screen of the oscilloscope. The queue is read with the :SYSTEM:DSP? query. Note that messages sent with the :SYSTEM:DSP command do not set the MSG status bit in the Status Byte Register.

---

## Clearing Registers and Queues

The \*CLS common command clears all event registers and all queues except the output queue. If \*CLS is sent immediately following a program message terminator, the output queue is also cleared.

**Figure 4-3**



54700B05

**Status Reporting Decision Chart**

---

## Remote Acquisition Synchronization

---

## Introduction

When remotely controlling an oscilloscope with SCPI commands, it is often necessary to know when the oscilloscope has finished the previous operation and is ready for the next SCPI command. The most common example is when an acquisition is started using the :DIG, :RUN, or :SINGLE commands. Before a measurement result can be queried, the acquisition must complete. Too often, fixed delays are used to accomplish this wait, but fixed delays often use excessive time or the time may not be long enough. A better solution is to use synchronous commands and status to know when the oscilloscope is ready for the next request.

---

## Programming Flow

Most remote programming follows these three general steps:

- 1 Setup the oscilloscope and device under test**
- 2 Acquire a waveform**
- 3 Retrieve results**

---

## Setting Up the Oscilloscope

Before making changes to the oscilloscope setup, it is best to make sure it is stopped using the :STOP command followed by the \*OPC? command.

NOTE: It is not necessary to use the \*OPC? command, hard coded waits, or status checking when setting up the oscilloscope.

After the oscilloscope is configured, it is ready for an acquisition.

---

## Acquiring a Waveform

When acquiring a waveform, there are two possible methods used to wait for the acquisition to complete. These methods are blocking and polling. The table below details when each method should be chosen and why.

**Table 0-1**

	<b>Blocking Wait</b>	<b>Polling Wait</b>
<b>Use When</b>	You know the oscilloscope will trigger based on the oscilloscope setup and device under test	You know the oscilloscope may or may not trigger based on the oscilloscope setup and device under test
<b>Advantages</b>	<ul style="list-style-type: none"><li>• No need for polling</li><li>• Fast method</li></ul>	<ul style="list-style-type: none"><li>• Remote interface will not timeout</li><li>• No need for device clear if no trigger</li></ul>
<b>Disadvantages</b>	<ul style="list-style-type: none"><li>• Remote interface may timeout</li><li>• Device clear only way to get control of oscilloscope if there is no trigger</li></ul>	<ul style="list-style-type: none"><li>• Slower method</li><li>• Required polling loop</li><li>• Required known maximum wait time</li></ul>

---

## Retrieving Results

Once the acquisition is complete, it is safe to retrieve measurements and statistics.

## Acquisition Synchronization

### **Blocking Synchronization**

Use the :DIGitize command to start the acquisition. This blocks subsequent queries until the acquisition and processing is complete.

---

#### **Example**

```
// Setup
:TRIGGER:MODE EDGE
:TIMEBASE:SCALE 5e-9

//Acquire
:DIG

//Get results
:MEASURE:RISETIME?
```

---

### **Polling Synchronization With Timeout**

This example requires a timeout value so the operation can abort if an acquisition does not occur within the timeout period.

---

#### **Example**

```
TIMEOUT = 1000ms
currentTime = 0ms

// Setup
:STOP; *OPC? // if not stopped
:ADER? // clear ADER event

// Acquire
:SINGLE

while(currentTime <= TIMEOUT)
{
    if (:ADER? == 1)
    {
        break;
    }
}
```

---

```
else
{
    // Use small wait to prevent excessive
    // queries to the oscilloscope
    wait (100ms)
    currentTime += 100ms
}
}

//Get results
if (currentTime < TIMEOUT)
{
    :MEASURE:RISETIME?
}
}
```

---

---

## Single Shot Device Under Test (DUT)

The examples in the previous section (Acquisition Synchronization) assumed the DUT is continually running and, therefore, the oscilloscope will have more than one opportunity to trigger. With a single shot DUT, there is only one opportunity for the oscilloscope to trigger so it is necessary for the oscilloscope to be armed and ready before the DUT is enabled.

NOTE: The blocking :DIGitize command cannot be used for a single shot DUT because once the :DIGitize command is issued, the oscilloscope is blocked from any further commands until the acquisition is complete.

## Remote Acquisition Synchronization Single Shot Device Under Test (DUT)

This example is the same as the previous example with the addition of checking for the armed event status.

---

**Example**

```
TIMEOUT = 1000ms
currentTime = 0ms

// Setup
:STOP; *OPC? // if not stopped
:ADER? // clear ADER event

// Acquire
:SINGLE

while(AER? == 0)
{
    wait(100ms)
}

//oscilloscope is armed and ready, enable DUT here

while(currentTime <= TIMEOUT)
{
    if (:ADER? == 1)
    {
        break;
    }
    else
    {
        // Use small wait to prevent excessive
        // queries to the oscilloscope
        wait (100ms)
        currentTime += 100ms
    }
}

//Get results
if (currentTime < TIMEOUT)
{
    :MEASURE:RISETIME?
}
```

---



---

## Averaging Acquisition Synchronization

When averaging, it is necessary to know when the average count has been reached. Since an ADER/PDER event occurs for every acquisition in the average count, these commands cannot be used. The :SINGLE command does not average.

If it is known that a trigger will occur, a :DIG will acquire the complete number of averages, but if the number of averages is large, it may cause a timeout on the connection.

The example below acquires the desired number of averages and then stops running.

---

**Example**

```
AVERAGE_COUNT = 256

:STOP;*OPC?
:TER?
:ACQ:AVERAge:COUNT AVERAGE_COUNT
:ACQ:AVERAge ON
:RUN

//Assume the oscilloscope will trigger, if not put a check here

while (:WAV:COUNT? < AVERAGE_COUNT)
{
    wait(100ms)
}

:STOP;*OPC?

// Get results
```

---

**Remote Acquisition Synchronization**  
**Averaging Acquisition Synchronization**



---

# Programming Conventions

This chapter describes conventions used to program the Infiniium-Series Oscilloscopes, and conventions used throughout this manual. A description of the command tree and command tree traversal is also included.

---

## Truncation Rule

The truncation rule is used to produce the short form (abbreviated spelling) for the mnemonics used in the programming headers and parameter arguments.

### **Command Truncation Rule**

**The mnemonic is the first four characters of the keyword, unless the fourth character is a vowel. Then the mnemonic is the first three characters of the keyword. If the length of the keyword is four characters or less, this rule does not apply, and the short form is the same as the long form.**

Table 6-1 shows how the truncation rule is applied to commands.

**Table 6-1**

---

### **Mnemonic Truncation**

---

<b>Long Form</b>	<b>Short Form</b>	<b>How the Rule is Applied</b>
<b>RANGE</b>	<b>RANG</b>	<b>Short form is the first four characters of the keyword.</b>
<b>PATTERN</b>	<b>PATT</b>	<b>Short form is the first four characters of the keyword.</b>
<b>DISK</b>	<b>DISK</b>	<b>Short form is the same as the long form.</b>
<b>DELAY</b>	<b>DEL</b>	<b>Fourth character is a vowel; short form is the first three characters.</b>

## The Command Tree

The command tree in Figure 6-1 shows all of the commands in the Infiniium-Series Oscilloscopes and the relationship of the commands to each other. The IEEE 488.2 common commands are not listed as part of the command tree because they do not affect the position of the parser within the tree.

When a program message terminator (<NL>, linefeed - ASCII decimal 10) or a leading colon (:) is sent to the oscilloscope, the parser is set to the “root” of the command tree.

### Command Types

The commands in this oscilloscope can be viewed as three types: common commands, root level commands, and subsystem commands.

- Common commands are commands defined by IEEE 488.2 and control some functions that are common to all IEEE 488.2 instruments. These commands are independent of the tree and do not affect the position of the parser within the tree. \*RST is an example of a common command.
- Root level commands control many of the basic functions of the oscilloscope. These commands reside at the root of the command tree. They can always be parsed if they occur at the beginning of a program message or are preceded by a colon. Unlike common commands, root level commands place the parser back at the root of the command tree. AUTOSCALE is an example of a root level command.
- Subsystem commands are grouped together under a common node of the command tree, such as the TIMEBASE commands. You may select only one subsystem at a given time. When you turn on the oscilloscope initially, the command parser is set to the root of the command tree and no subsystem is selected.

### Tree Traversal Rules

Command headers are created by traversing down the command tree. A legal command header from the command tree would be :TIMEBASE:RANGE. This is referred to as a compound header. A compound header is a header made up of two or more mnemonics separated by colons. The compound header contains no spaces. The following rules apply to traversing the tree.

#### **Tree Traversal Rules**

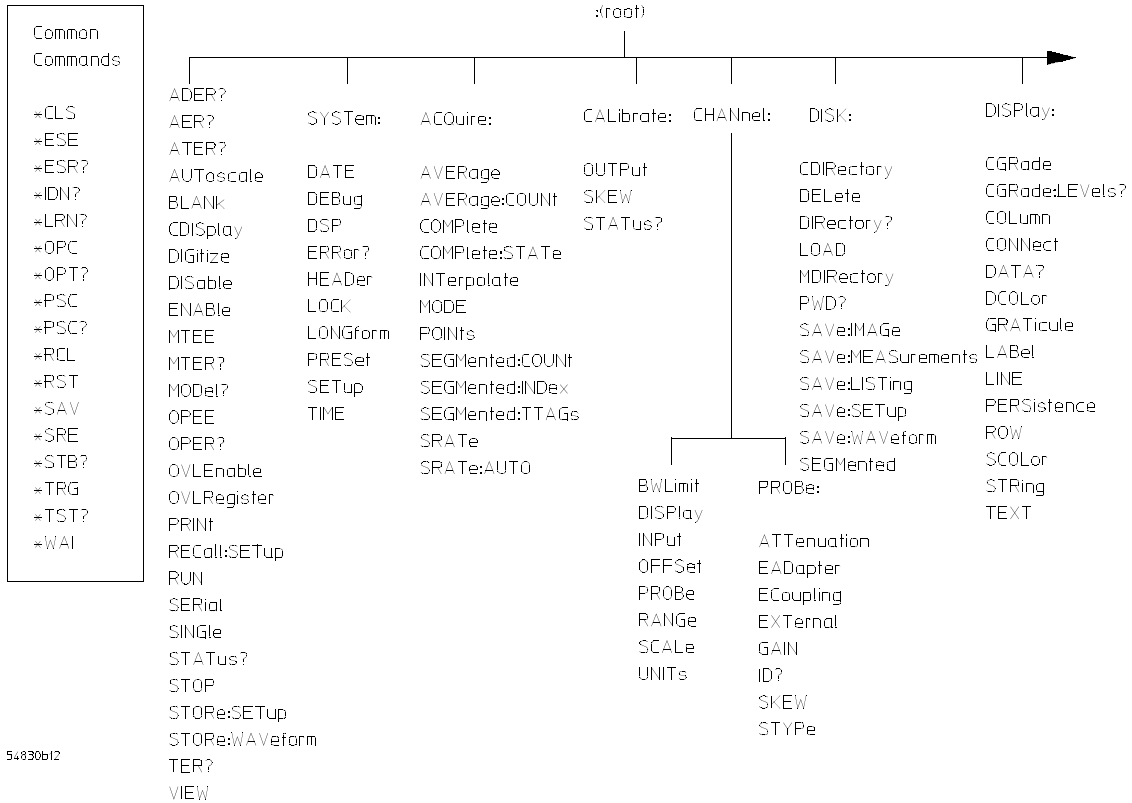
**A leading colon or a program message terminator (<NL> or EOI true on the last byte) places the parser at the root of the command tree. A leading colon is a colon that is the first character of a program header. Executing a subsystem command places the oscilloscope in that subsystem until a leading colon or a program message terminator is found.**

In the command tree, use the last mnemonic in the compound header as a reference point (for example, RANGE). Then find the last colon above that mnemonic (TIMEBASE:). That is the point where the parser resides. You can send any command below this point within the current program message without sending the mnemonics which appear above them (for example, REFERENCE).

# Programming Conventions

## The Command Tree

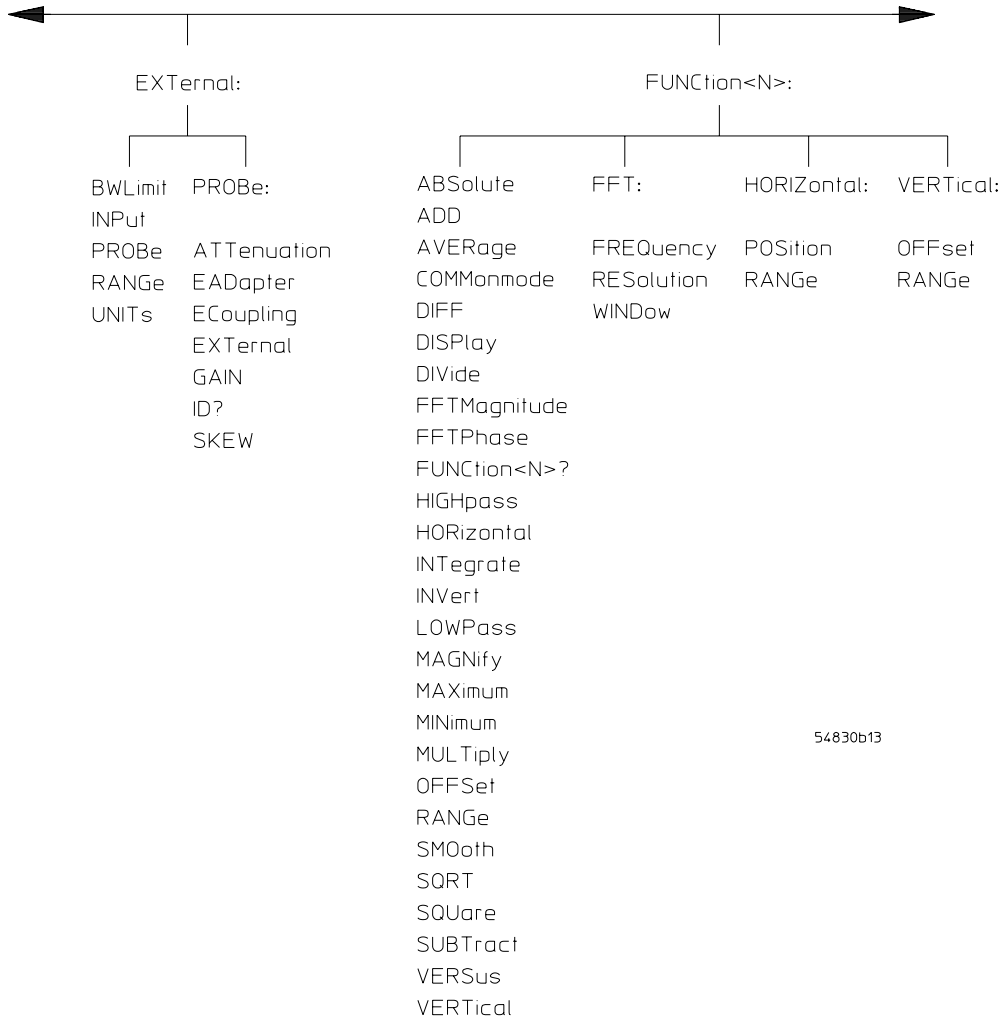
**Figure 6-1**



### Command Tree



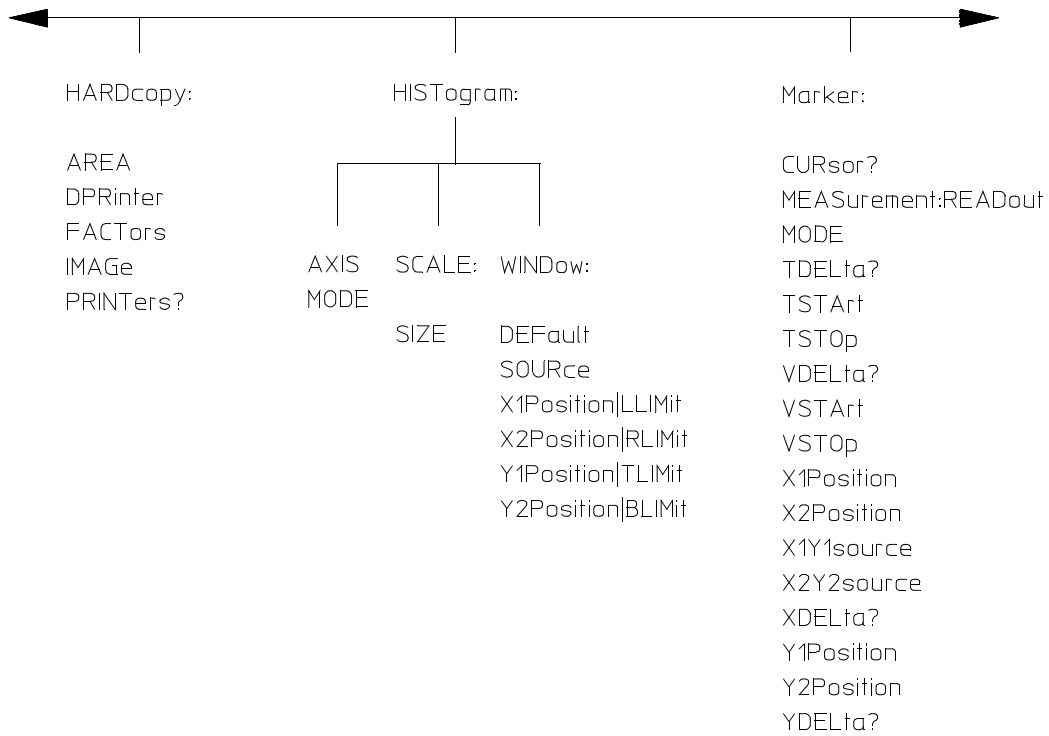
Figure 6-2



Command Tree (Continued)

**Programming Conventions**  
**The Command Tree**

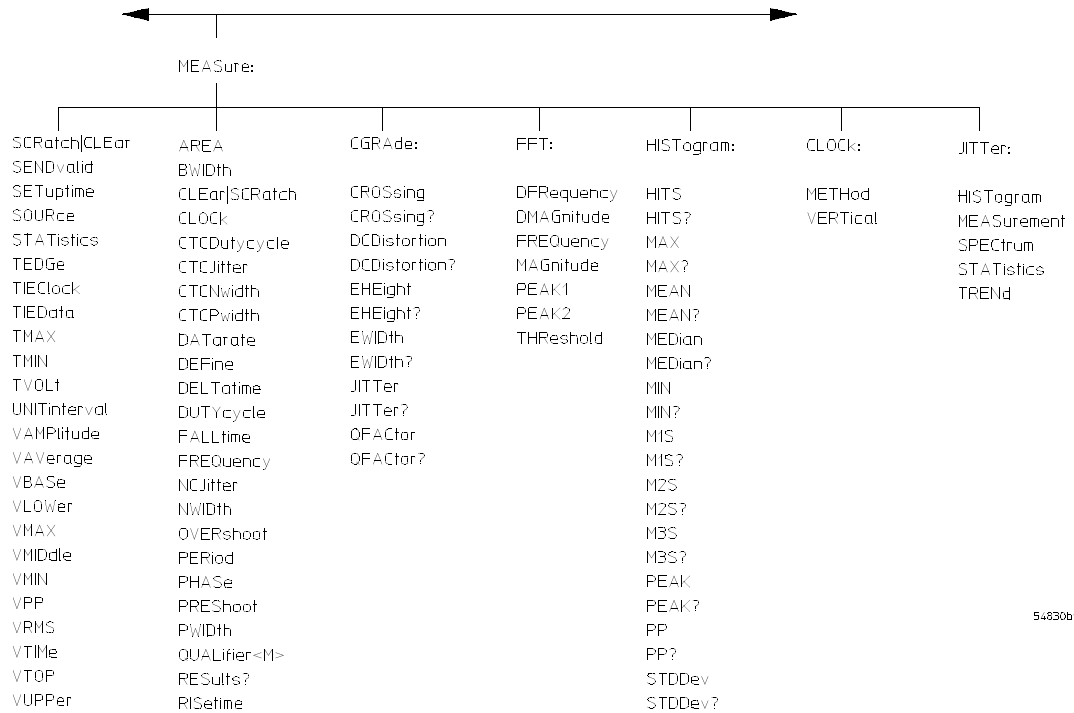
**Figure 6-3**



54830b04

**Command Tree (Continued)**

Figure 6-4

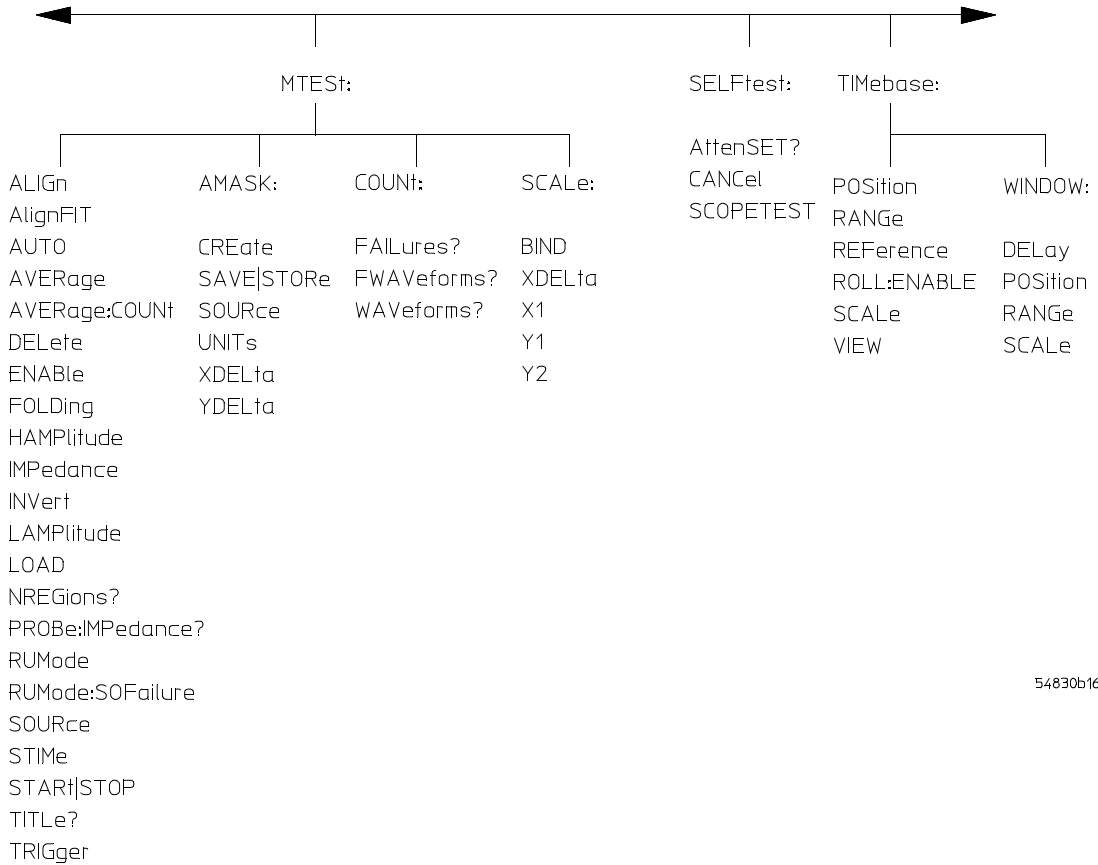


54830615

Command Tree (Continued)

## Programming Conventions The Command Tree

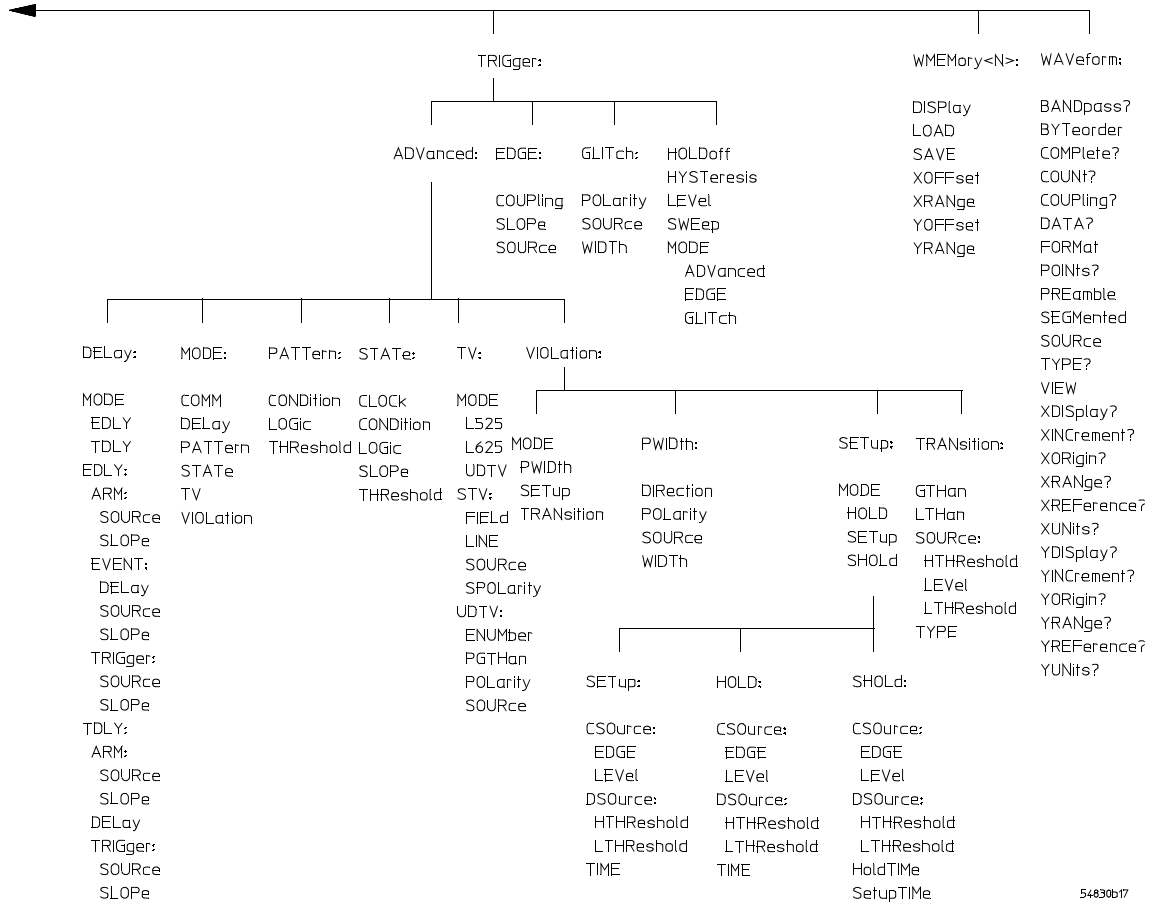
**Figure 6-5**



54830b16

**Command Tree (Continued)**

Figure 6-6



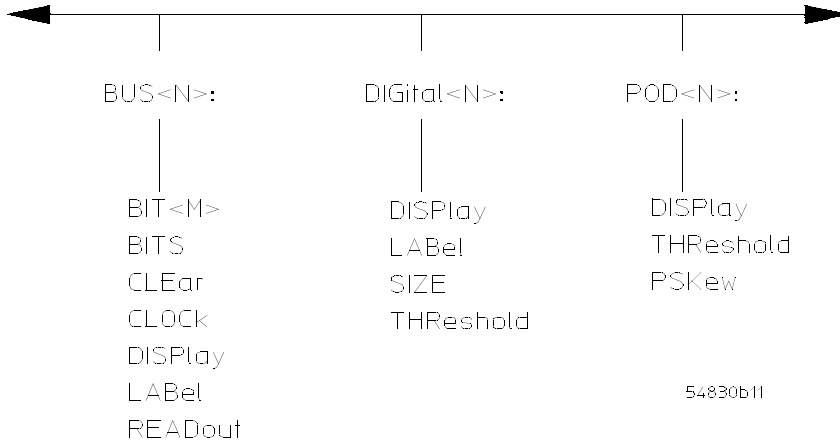
Command Tree (Continued)

54830b17

## Programming Conventions The Command Tree

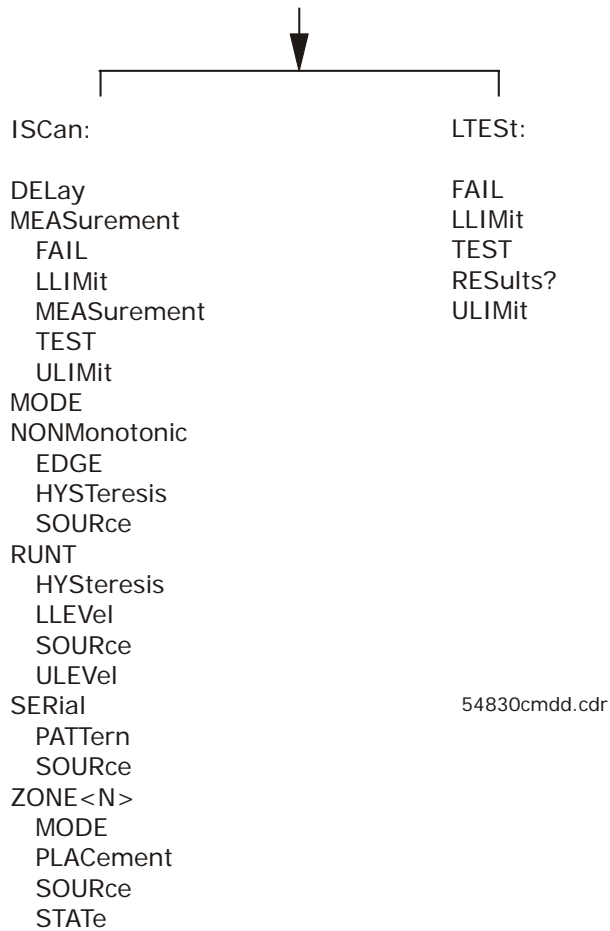
Figure 6-7

**BUS<N>, DIGital<N>, and POD<N>  
commands only available on the MSO  
oscilloscopes**



**Command Tree (Continued)**

Figure 6-8



Command Tree (Continued)

## Programming Conventions

### The Command Tree

#### Tree Traversal Examples

The OUTPUT statements in the following examples are written using HP BASIC 5.0. The quoted string is placed on the bus, followed by a carriage return and linefeed (CRLF).

---

#### Example 1

Consider the following command:

```
OUTPUT 707;" :CHANNEL1:RANGE 0.5;OFFSET 0"
```

The colon between CHANNEL1 and RANGE is necessary because :CHANNEL1:RANGE is a compound command. The semicolon between the RANGE command and the OFFSET command is required to separate the two commands or operations. The OFFSET command does not need :CHANNEL1 preceding it because the :CHANNEL1:RANGE command sets the parser to the CHANNEL1 node in the tree.

---

---

#### Example 2

Consider the following commands:

```
OUTPUT 707;" :TIMEBASE:REFERENCE CENTER;POSITION 0.00001"
```

or

```
OUTPUT 707;" :TIMEBASE:REFERENCE CENTER"  
OUTPUT 707;" :TIMEBASE:POSITION 0.00001"
```

In the first line of example 2, the “subsystem selector” is implied for the POSITION command in the compound command.

A second way to send these commands is shown in the second part of the example. Because the program message terminator places the parser back at the root of the command tree, you must reselect TIMEBASE to re-enter the TIMEBASE node before sending the POSITION command.

---

---

#### Example 3

Consider the following command:

```
OUTPUT 707;" :TIMEBASE:REFERENCE CENTER;:CHANNEL1:OFFSET 0"
```

In this example, the leading colon before CHANNEL1 tells the parser to go back to the root of the command tree. The parser can then recognize the :CHANNEL1:OFFSET command and enter the correct node.

---



---

## Infinity Representation

The representation for infinity for this oscilloscope is 9.99999E+37. This is also the value returned when a measurement cannot be made.

---

## Sequential and Overlapped Commands

IEEE 488.2 makes a distinction between sequential and overlapped commands. Sequential commands finish their task before the execution of the next command starts. Overlapped commands run concurrently. Commands following an overlapped command may be started before the overlapped command is completed.

---

## Response Generation

As defined by IEEE 488.2, query responses may be buffered for these reasons:

- When the query is parsed by the oscilloscope.
- When the computer addresses the oscilloscope to talk so that it may read the response.

This oscilloscope buffers responses to a query when the query is parsed.

---

## EOI

The EOI bus control line follows the IEEE 488.2 standard without exception.





---

# Sample Programs

Sample programs for the Infiniium-Series Oscilloscopes are shipped on a CD ROM with the instrument. Each program demonstrates specific sets of instructions.

This chapter shows you some of those functions, and describes the commands being executed. Both C and BASIC examples are included.

The header file is:

- gpibdecl.h

The C examples include:

- init.c
- gen\_srq.c
- srqagi.c
- srqnat.c
- learnstr.c
- sicl\_IO.c
- natl\_IO.c

The BASIC examples include:

- init.bas
- srq.bas
- lrn\_str.bas

The sample program listings are included at the end of this chapter.

---

## Sample Program Structure

This chapter includes segments of both the C and BASIC sample programs. Each program includes the basic functions of initializing the interface and oscilloscope, capturing the data, and analyzing the data.

In general, both the C and BASIC sample programs typically contain the following fundamental segments:

<b>Segment</b>	<b>Description</b>
<b>main program</b>	<b>Defines global variables and constants, specifies include files, and calls various functions.</b>
<b>initialize</b>	<b>Initializes the GPIB or LAN interface and oscilloscope, and sets up the oscilloscope and the ACQuire subsystem.</b>
<b>acquire_data</b>	<b>Digitizes the waveform to capture data.</b>
<b>auto_measurements</b>	<b>Performs simple parametric measurements.</b>
<b>transfer_data</b>	<b>Brings waveform data and voltage/timing information (the preamble) into the computer.</b>

<p><b>The BASIC programming language can be used to set up and transfer data to your PC. However, because of the limitations of BASIC, it is not the best language to use when transferring large amounts of data to your PC.</b></p>
---

## Sample C Programs

Segments of the sample programs “init.c” and “gen\_srq.c” are shown and described in this chapter.

### **init.c - Initialization**

```
/* init. c */

/* Command Order Example. This program demonstrates the order of commands
suggested for operation of the 8000A oscilloscope via GPIB.
This program initializes the oscilloscope, acquires data, performs
automatic measurements, and transfers and stores the data on the
PC as time/voltage pairs in a comma-separated file format useful
for spreadsheet applications. It assumes a SICL INTERFACE exists
as 'hpib7' and an 8000A oscilloscope at address 7.
It also requires a waveform connected to Channel 1.

See the README file on the demo disk for development and linking information.
*/

#include <stdio.h>          /* location of: printf() */
#include <stdlib.h>        /* location of: atof(), atoi() */
#include "gpibdecl.h"     /* prototypes, global declarations, constants */

void initialize( void );      /* initialize the oscilloscope */
void acquire_data( void );   /* digitize waveform */
void auto_measurements( void ); /* perform built-in automatic measurements */
void transfer_data( void ); /* transfers waveform data from oscilloscope to PC */
int convert_data( int, int ); /* converts data to time/voltage values */
void store_csv( FILE *, int ); /* stores time/voltage pairs to */
                             /* comma-separated variable file format */
```

The include statements start the program. The file “gpibdecl.h” includes prototypes and declarations that are necessary for the Infiniium Oscilloscope sample programs.

This segment of the sample program defines the functions, in order, that are used to initialize the oscilloscope, digitize the data, perform measurements, transfer data from the oscilloscope to the PC, convert the digitized data to time and voltage pairs, and store the converted data in comma-separated variable file format.

See the following descriptions of the program segments.

### init.c - Global Definitions and Main Program

```
/* GLOBALS */
int count;
double xorg,xinc;          /* values necessary for conversion of data */
double yorg,yinc;
int Acquired_length;
char data[MAX_LENGTH];    /* data buffer */
double time_value[MAX_LENGTH]; /* time value of data */
double volts[MAX_LENGTH]; /* voltage value of data */

void main( void )
{
/* initialize interface and device sessions */
/* note: routine found in sicl_IO.c or natl_IO.c */

    if( init_IO( ) )
    {

        /* initialize the oscilloscope and interface and set up SRQ */
        initialize( );
        acquire_data( );      /* capture the data */

        /* perform automated measurements on acquired data */
        auto_measurements( );

        /* transfer waveform data to the PC from oscilloscope */
        transfer_data( );
        close_IO( );         /* close interface and device sessions */
    }
} /* end main( ) */
```

The `init_IO` routine initializes the oscilloscope and interface so that the oscilloscope can capture data and perform measurements on the data. At the start of the program, global symbols are defined which will be used to store and convert the digitized data to time and voltage values.

## Sample Programs

### Sample C Programs

#### init.c - Initializing the Oscilloscope

```
/*
 * Function name: initialize
 * Parameters: none
 * Return value: none
 * Description: This routine initializes the oscilloscope for proper
 * acquisition of data. The instrument is reset to a known state and the
 * interface is cleared. System headers are turned off to allow faster
 * throughput and immediate access to the data values requested by queries.
 * The oscilloscope time base, channel, and trigger subsystems are then
 * configured. Finally, the acquisition subsystem is initialized.
 */
void initialize( void )
{
    write_IO("*RST");          /* reset oscilloscope - initialize to known state */
    write_IO("*CLS");          /* clear status registers and output queue */

    write_IO(":SYSTem:HEADer OFF"); /* turn off system headers */

    /* initialize time base parameters to center reference, */
    /* 2 ms full-scale (200 us/div), and 20 us delay */
    write_IO(":TIMEbase:REfERENCE CENTER;RANGE 2e-3;POSition 20e-6");

    /* initialize Channel1 1.6V full-scale (200 mv/div); offset -400mv */
    write_IO(":CHANnel1:RANGe 1.6;OFFSet -400e-3");

    /* initialize trigger info: channel1 waveform on positive slope at 300mv */
    write_IO(":TRIGger:EDGE:SOURce CHANnel1;SLOPe POSitive");
    write_IO(":TRIGger:LEVel CHANnel1,-0.40");

    /* initialize acquisition subsystem */
    /* Real time acquisition - no averaging; memory depth 1,000,000 */
    write_IO(":ACQuire:MODE RTIME;AVERAge OFF;POINTs 1000000");
} /* end initialize() */
```



### init.c - Acquiring Data

```
/*
 * Function name:  acquire_data
 * Parameters:  none
 * Return value:  none
 * Description:  This routine acquires data according to the current
 * instrument settings.
 */
void acquire_data( void )
{
/*
 * The root level :DIGitize command is recommended for acquisition of new
 * data. It will initialize data buffers, acquire new data, and ensure that
 * acquisition criteria are met before acquisition of data is stopped. The
 * captured data is then available for measurements, storage, or transfer
 * to a PC. Note that the display is automatically turned off by the
 * :DIGitize command and must be turned on to view the captured data.
 */

    write_IO(":DIGitize CHANnel1");
    write_IO(":CHANnel1:DISPlay ON"); /* turn on channel 1 display which is */
                                     /* turned off by the :DIGitize command */

} /* end acquire_data() */
```

## Sample Programs

### Sample C Programs

#### init.c - Making Automatic Measurements

```
/*
 * Function name:  auto_measurements
 * Parameters:  none
 * Return value:  none
 * Description:  This routine performs automatic measurements of volts
 * peak-to-peak and frequency on the acquired data. It also demonstrates
 * two methods of error detection when using automatic measurements.
 */

void auto_measurements( void )
{
    float frequency, vpp;
    unsigned char vpp_str[16];
    unsigned char freq_str[16];
    int bytes_read;

/*
 * Error checking on automatic measurements can be done using one of two methods.
 * The first method requires that you turn on results in the Measurements
 * subsystem using the command :MEASure:SEND ON. When this is on, the oscilloscope
 * will return the measurement and a result indicator. The result flag is zero
 * if the measurement was successfully completed, otherwise a non-zero value is
 * returned which indicates why the measurement failed.
 *
 * The second method simply requires that you check the return value of the
 * measurement. Any measurement not made successfully will return with the value
 * +9.999E37. This could indicate that either the measurement was unable to be
 * performed, or that insufficient waveform data was available to make the
 * measurement.
 */
/*
 * METHOD ONE - turn on results to indicate whether the measurement completed
 * successfully. Note that this requires transmission of extra data from the
 * oscilloscope.
 */
    write_IO(":MEASure:SENDvalid ON");    /* turn results on */

    /* query volts peak-to-peak channel 1 */
    write_IO(":MEASure:VPP? CHANnel1");

    bytes_read = read_IO(vpp_str,16L);    /* read in value and result flag */

    if (vpp_str[bytes_read-2] != '0')
        printf("Automated vpp measurement error with result %c\n",
            vpp_str[bytes_read-2]);
    else
        printf("VPP is %f\n", (float)atof(vpp_str));
}
```

```
write_IO(":MEASure:FREQuency? CHANnel1"); /* frequency channel 1 */

bytes_read = read_IO(freq_str,16L); /* read in value and result flag */

if (freq_str[bytes_read-2] != '0')
    printf("Automated frequency measurement error with result %c\n",
        freq_str[bytes_read-2]);
else
    printf("Frequency is %f\n", (float)atof(freq_str));

/*
* METHOD TWO - perform automated measurements and error checking with
* :MEAS:RESULTS OFF
*/
frequency =(float)0;
vpp = (float)0;

/* turn off results */
write_IO(":MEASure:SENDvalid OFF");

write_IO(":MEASure:FREQuency? CHANnel1"); /* frequency channel 1 */
bytes_read = read_IO(freq_str,16L); /* read in value and result flag */

frequency = (float) atof(freq_str);

if ( frequency > 9.99e37 )
    printf("\nFrequency could not be measured.\n");
else
    printf("\nThe frequency of channel 1 is %f Hz.\n", frequency );

write_IO(":MEASure:VPP? CHANnel1");
bytes_read = read_IO( vpp_str,16L );

vpp = (float) atof(vpp_str);

if ( vpp > 9.99e37 )
    printf("Peak-to-peak voltage could not be measured.\n");
else
    printf("The voltage peak-to-peak is %f volts.\n", vpp );

} /* end auto_measurements() */
```

## Sample Programs

### Sample C Programs

#### init.c - Transferring Data to the PC

```
/*
 * Function name:  transfer_data
 * Parameters:  none
 * Return value:  none
 * Description:  This routine transfers the waveform conversion factors and
 * waveform data to the PC.
 */

void transfer_data( void )
{
    int header_length;
    char header_str[8];
    FILE *fp;
    int time_division=0;

    char xinc_str[32],xorg_str[32];
    char yinc_str[32],yorg_str[32];

    int bytes_read;

    write_IO(":WAVEform:SOURce CHANnel1"); /* waveform data source channel 1 */
    write_IO(":WAVEform:FORMat BYTE");      /* setup transfer format */

    write_IO(":WAVEform:XINCrement?");      /* request values to allow
                                           interpretation of raw data */

    bytes_read = read_IO(xinc_str,32L);
    xinc = atof(xinc_str);

    write_IO(":WAVEform:XORigin?");
    bytes_read = read_IO(xorg_str,32L);
    xorg = atof(xorg_str);

    write_IO(":WAVEform:YINCrement?");
    bytes_read = read_IO(yinc_str,32L);
    yinc = atof(yinc_str);

    write_IO(":WAVEform:YORigin?");
    bytes_read = read_IO(yorg_str,32L);
    yorg = atof(yorg_str);

    write_IO(":WAVEform:DATA?");            /* request waveform data */
    bytes_read = read_IO(data,1L);         /* fine the # character */
    while(data[0] != '#')
        bytes_read = read_IO(data,1L);     /* fine the # character */
}
```

```

bytes_read = read_IO(header_str,1L);      /* input byte counter */
header_length = atoi(header_str);

/* read number of points to download */
bytes_read = read_IO(header_str,(long)header_length);
Acquired_length = atoi(header_str);      /* number of bytes */

bytes_read = 0;

fp = fopen("pairs.csv","wb");           /* open file in binary mode - clear file
                                        if already exists */

while((bytes_read + MAX_LENGTH) < Acquired_length)
{
    bytes_read += read_IO(data,MAX_LENGTH); /* input waveform data */
    /* Convert data to voltage and time */
    time_division = convert_data(time_division,MAX_LENGTH);
    store_csv(fp,MAX_LENGTH);             /* Store data to disk */
}

/* input last of waveform data */
bytes_read = read_IO(data,(Acquired_length-bytes_read+1));
/* Convert data to voltage and time */
time_division = convert_data(time_division,(bytes_read-1));
store_csv(fp,(bytes_read-1));           /* Store data to disk */

fclose( fp );                          /* close file */
} /* end transfer_data() */

```

An example header resembles the following when the information is stripped off:

```
#510225
```

The left most “5” defines the number of digits that follow (10225). The number “10225” is the number of points in the waveform. The information is stripped off of the header to get the number of data bytes that need to be read from the oscilloscope.

## Sample Programs

### Sample C Programs

#### init.c - Converting Waveform Data

```
/*
 * Function name: convert_data
 * Parameters:   int time_division which is the index value of the next time
 *              value calculated.
 *              int length number of voltage and time values to calculate.
 * Return value: int time_division which contains the next time index.
 * Description: This routine converts the waveform data to time/voltage
 * information using the values that describe the waveform. These values are
 * stored in global arrays for use by other routines.
 */

int convert_data( int time_division, int length )
{
    int i;

    for (i = 0; i < Acquired_length; i++)
    {
        /* calculate time info */
        time_value[i] =(time_division * xinc) + xorg;
        /* calculate volt info */
        volts[i] = (data[i] * yinc) + yorg;
        time_division++;
    }

    return time_division;
} /* end convert_data() */
```

The data values are returned as digitized samples (sometimes called quantization levels or q-levels). These data values must be converted into voltage and time values.

### init.c - Storing Waveform Time and Voltage Information

```
/*
 * Function name: store_csv
 * Parameters: none
 * Return value: none
 * Description: This routine stores the time and voltage information about
 * the waveform as time/voltage pairs in a comma-separated variable file
 * format.
 */

void store_csv( FILE *fp, int length )
{
    int i;

    if (fp != NULL)
    {
        for (i = 0; i < length; i++)
        {
            /* write time,volt pairs to file */
            fprintf( fp,"%e,%lf\n",time_value[i],volts[i]);
        }
    }
    else
        printf("Unable to open file 'pairs.csv'\n");
} /* end store_csv() */
```

The time and voltage information of the waveform is stored with the time stored first, followed by a comma, and the voltage stored second.

## Sample Programs

### Sample C Programs

#### Sample C Program - Generating a Service Request

Segments of the sample C program “gen\_srq.c” show how to initialize the interface and oscilloscope, and generate a service request.

Two include statements start the “gen\_srq.c” program. The file “stdio.h” defines the standard location of the printf routine, and is needed whenever input or output functions are used. The file “gpibdecl.h” includes necessary prototypes and declarations for the Infiniium-Series Oscilloscopes sample programs. The path of these files must specify the disk drive and directory where the “include” files reside.

```
/* gen_srq.c */

/*
 * This example program initializes the 8000A oscilloscope, runs an autoscale,
 * then generates and responds to a Service Request from the oscilloscope. The
 * program assumes an 8000A at address 7, an interface card at interface select
 * code 7, and a waveform source attached to channel 1.
 */

#include <stdio.h>          /* location of: printf() */
#include "gpibdecl.h"

void initialize( void );
void setup_SRQ( void );
void create_SRQ( void );

void main( void )
{
    if( init_IO( ) )      /* initialize interface and device sessions */
    {
        initialize( ); /* initialize the oscilloscope and interface */
        setup_SRQ( ); /* enable SRQs on oscilloscope and set up SRQ handler */
        create_SRQ( ); /* generate SRQ */
        close_IO( ); /* close interface and device sessions */
    }
} /* end main( ) */
```

The routine “init\_IO” contains three subroutines that initialize the oscilloscope and interface, and sets up and generate a service request.

The following segment describes the initialize subroutine.



### Initializing the Oscilloscope

The following function is demonstrated in the “gen\_srj.c” sample program.

```

/*
 * Function name: initialize
 * Parameters:   none
 * Return value: none
 * Description:  This routine initializes the oscilloscope for proper acquisition
 * of data. The instrument is reset to a known state and the interface is
 * cleared. System headers are turned off to allow faster throughput and
 * immediate access to the data values requested by queries. The oscilloscope
 * performs an autoscale to acquire waveform data.
 */

void initialize( void )
{
    write_IO("*RST"); /* reset oscilloscope - initialize to known state */
    write_IO("*CLS"); /* clear status registers and output queue */
    write_IO(":SYSTem:HEADer OFF"); /* turn off system headers */
    write_IO(":AUToscale"); /* perform autoscale */
} /* end initialize() */

```

The \*RST command is a common command that resets the oscilloscope to a known default configuration. Using \*RST ensures that the oscilloscope is in a known state before you configure it. It ensures very consistent and repeatable results. Without \*RST, a program may run one time, but it may give different results in following runs if the oscilloscope is configured differently.

For example, if the trigger mode is normally set to edge, the program may function properly. But, if someone puts the oscilloscope in the advanced TV trigger mode from the front panel, the program may read measurement results that are totally incorrect. So, \*RST defaults the oscilloscope to a set configuration so that the program can proceed from the same state each time.

The \*CLS command clears the status registers and the output queue.

AUToscale finds and displays all waveforms that are attached to the oscilloscope. You should program the oscilloscope’s time base, channel, and trigger for the specific measurement to be made, as you would do from the front panel, and use whatever other commands are needed to configure the oscilloscope for the desired measurement.

## Sample Programs

### Sample C Programs

#### Setting Up a Service Request

The following code segment shows how to generate a service request. The following function is demonstrated in the "gen\_srq.c" sample program.

```
/*
 * Function name: setup_SRQ
 * Parameters:   none
 * Return value: none
 * Description: This routine initializes the device to generate Service Requests.
 It
 * sets the Service Request Enable Register Event Status Bit and the Standard
 * Event Status Enable Register to allow SRQs on Command, Execution, Device
 * Dependent, or Query errors.
 */
void setup_SRQ( void )
{
    /* Enable Service Request Enable Register - Event Status Bit */

    write_IO("**SRE 32"); /* Enable Standard Event Status Enable Register */
                          /* enable Command Error - bit 4 - value 32 */
    write_IO("**ESE 32");

} /* end setup_SRQ( ) */
```

## Generating a Service Request

The following function is demonstrated in the “gen\_srq.c” sample program.

```

/*
 * Function name: create_SRQ
 * Parameters:   none
 * Return value: none
 * Description: This routine sends two illegal commands to the oscilloscope which
 * will generate an SRQ and will place two error strings in the error queue. The
 * oscilloscope ID is requested to allow time for the SRQ to be generated. The ID
 * string will contain a leading character which is the response placed in
 * the output queue by the interrupted query.
 */

void create_SRQ( void )
{
    char buf[256] = { 0 }; // read buffer for id string
    int bytes_read = 0;

#ifdef AGILENT
    // Setup the Agilent interrupt handler
    ionsrq( scope, srq_agilent );
#else
    // Setup the National interrup handler
    ibnotify( scope, RQS, srq_national, NULL );
#endif

    // Generate command error - send illegal header
    write_IO(":CHANnel:DISPlay OFF");

    srq_asserted = TRUE;

    while( srq_asserted )
    {
        // Do nothing until the interrupt has finished
    }
} /* end create_SRQ() */

```

## Listings of the Sample Programs

Listings of the C sample programs in this section include:

- gpibdecl.h
- srqagi.c
- learnstr.c
- siel\_IO.c
- natl\_IO.c

Listings of the BASIC sample programs in this section include:

- init.bas
- srq.bas
- lrn\_str.bas

**Read the README File Before Using the Sample Programs**

**Before using the sample programs, be sure to read the README file on the disk that contains the sample programs.**

---

## gpibdecl.h Sample Header

```
/* gpibdecl.h */

/* This file includes necessary prototypes and declarations for the
   example programs for the Agilent 8000A series */

/* User must indicate which GPIB card (Agilent or National) is being used or
   if the LAN interface is being used.
   Also, if using a National card, indicate which version of windows
   (WIN31 or WIN95) is being used */

#define LAN      /* Uncomment if using LAN interface */
#define AGILENT  /* Uncomment if using LAN or Agilent interface card */
// #define NATL  /* Uncomment if using National interface card */

/* #define WIN31 */          /* For National card ONLY - select windows version */
#define WIN95

#ifdef WIN95
    #include <windows.h>      /* include file for Windows 95 */
#else
    #include <windecl.h>     /* include file for Windows 3.1 */
#endif

#ifdef AGILENT
    #include "d:\siclnt\c\sicl.h" /* Change the path for the sicl.h location */
#else
    #include "decl-32.h"
#endif

#define CME 32
#define EXE 16
#define DDE 8
#define QYE 4

#define SRQ_BIT 64
#define MAX_LRNSTR 40000
#define MAX_LENGTH 262144
#define MAX_INT 4192

#ifdef AGILENT
    #ifdef LAN
        #define INTERFACE "lan[130.29.71.82]:hpib7,7"
    #else
```

## Sample Programs

### gpibdecl.h Sample Header

```
        #define DEVICE_ADDR "hpib7,7"
        #define INTERFACE "hpib7"
    #endif
#else
    #define INTERFACE "gpib0"

    #define board_index 0
    #define prim_addr 7
    #define second_addr 0
    #define timeout 13
    #define eoi_mode 1
    #define eos_mode 0
#endif

/* GLOBALS */
#ifdef AGILENT
    INST bus;
    INST scope;
#else
    int bus;
    int scope;
#endif

#define TRUE 1
#define FALSE 0

extern int srq_asserted;

/* GPIB prototypes */
void init_IO( void );
void write_IO( char* );
void write_lrnstr( char*, long );
int read_IO( char*, unsigned long );
unsigned char read_status( );
void close_IO( void );
void gpiberr( void );

#ifdef AGILENT
    extern void SICLCALLBACK srq_agilent( INST );
#else
    extern int __stdcall srq_national( int, int, int, long, void* );
#endif
```

---

## srqagi.c Sample Program

```
/* file:  srq.c */

/* This file contains the code to handle Service Requests from an GPIB device */

#include <stdio.h>    /* location of printf(), fopen(), and fclose() */
#include "gpibdecl.h"

int srq_asserted;

/*
 * Function name: srq_agilent
 * Parameters: INST which is id of the open interface.
 * Return value: none
 * Description: This routine services the scope when an SRQ is generated.
 *      An error file is opened to receive error data from the scope.
 */

void SICLCALLBACK srq_agilent( INST id )
{
    FILE *fp;
    unsigned char statusbyte = 0;
    int i =0;
    int more_errors = 0;
    char error_str[64] ={0};
    int bytes_read;

    srq_asserted = TRUE;

    statusbyte = read_status( );

    if ( statusbyte & SRQ_BIT )
    {
        fp = fopen( "error_list","wb" );           /* open error file */

        if (fp == NULL)
            printf("Error file could not be opened.\n");

        /* read error queue until no more errors */

        more_errors = TRUE;
    }
}
```

## Sample Programs

### srqagi.c Sample Program

```
while ( more_errors )
{
    write_IO(":SYSTEM:ERROR? STRING");
    bytes_read = read_IO(error_str, 64L);

    error_str[bytes_read] = '\0';
    printf("Error string:%s\n", error_str ); /* write error msg to std IO */

    if (fp != NULL)
        fprintf(fp, "Error string:%s\n", error_str ); /* write error msg to file */

        if ( error_str[0] == '0' )
        {
            write_IO("*CLS"); /* Clear event registers and queues,
                               except output */
            more_errors = FALSE;
            if( fp != NULL)
                fclose( fp );
        }
    } /* end while (more_errors) */
}
else
{
    printf(" SRQ not generated by scope.\n "); /* scope did not cause SRQ */
}

    srq_asserted = FALSE;
}/* end srq_agilent */
```



---

## learnstr.c Sample Program

```
/* learnstr.c */

/*
 * This example program initializes the 8000A oscilloscope, runs autoscale to
 * acquire a waveform, queries for the learnstring, and stores the learnstring
 * to disk. It then allows the user to change the setup, then restores the
 * original learnstring. It assumes that a waveform is attached to the
 * oscilloscope.
 */

#include <stdio.h>          /* location of: printf(), fopen(), fclose(),
                           fwrite(),getchar */
#include "gpibdecl.h"

void initialize( void );
void store_learnstring( void );
void change_setup( void );
void get_learnstring( void );

void main( void )
{
    if( init_IO( ) )      /* initialize device and interface */
    {
        /* Note: routine found in sic1_IO.c or nat1_IO.c */
        /* initialize the oscilloscope and interface, and set up SRQ */
        initialize( );
        store_learnstring( ); /* request learnstring and store */
        change_setup( );     /* request user to change setup */
        get_learnstring( );  /* restore learnstring */
        close_IO( );        /* close device and interface sessions */
        /* Note: routine found in sic1_IO.c or nat1_IO.c */
    }
} /* end main */
```

## Sample Programs

### learnstr.c Sample Program

```
/*
 * Function name:  initialize
 * Parameters:  none
 * Return value:  none
 * Description:  This routine initializes the oscilloscope for proper
 * acquisition of data. The instrument is reset to a known state and the
 * interface is cleared. System headers are turned off to allow faster
 * throughput and immediate access to the data values requested by queries.
 * Autoscale is performed to acquire a waveform. The waveform is then
 * digitized, and the channel display is turned on following the acquisition.
 */

void initialize( void )
{
    write_IO("*RST"); /* reset oscilloscope - initialize to known state */
    write_IO("*CLS"); /* clear status registers and output queue */

    write_IO(":SYSTem:HEADer ON"); /* turn on system headers */

    /* initialize Timebase parameters to center reference, 2 ms
       full-scale (200 us/div), and 20 us delay */
    write_IO(":TIMEbase:REFErence CENTer;RANGe 5e-3;POSition 20e-6");

    /* initialize Channell 1.6v full-scale (200 mv/div);
       offset -400mv */
    write_IO(":CHANnell1:RANGe 1.6;OFFSet -400e-3");

    /* initialize trigger info: channell waveform on positive slope
       at 300mv */
    write_IO(":TRIGger:EDGE:SOURce CHANnell1;SLOPe POSitive");
    write_IO(":TRIGger:LEVel CHANnell1,-0.40");

    /* initialize acquisition subsystem */
    /* Real time acquisition - no averaging; record length 4096 */
    write_IO(":ACQuire:MODE RTIME;AVERAge OFF;POINTs 4096");
} /* end initialize() */
```

```
/*
* Function name: store_learnstring
* Parameters: none
* Return value: none
* Description: This routine requests the system setup known as a
* learnstring. The learnstring is read from the oscilloscope and stored in a file
* called Learn2.
*/

void store_learnstring( void )
{
    FILE *fp;
    unsigned char setup[MAX_LRNSTR]={0};
    int actualcnt = 0;

    write_IO(":SYSTem:SETup?");          /* request learnstring */
    actualcnt = read_IO(setup, MAX_LRNSTR);

    fp = fopen( "learn2","wb");

    if ( fp != NULL )
    {
        fwrite( setup,sizeof(unsigned char),(int)actualcnt,fp);
        printf("Learn string stored in file Learn2\n");

        fclose( fp );
    }
    else
        printf("Error in file open\n");
}/* end store_learnstring */

/*
* Function name: change_setup
* Parameters: none
* Return value: none
* Description: This routine places the oscilloscope into local mode to allow the
* customer to change the system setup.
*/

void change_setup( void )
{
    printf("Please adjust setup and press ENTER to continue.\n");
    getchar();
} /* end change_setup */
```

## Sample Programs

### learnstr.c Sample Program

```
/*
 * Function name:  get_learnstring
 * Parameters:    none
 * Return value:  none
 * Description:   This routine retrieves the system setup known as a
 * learnstring from a disk file called Learn2. It then restores
 * the system setup to the oscilloscope.
 */

void get_learnstring( void )
{
    FILE *fp;
    unsigned char setup[MAX_LRNSTR];
    unsigned long count = 0;

    fp = fopen( "learn2","rb");

    if ( fp != NULL )
    {
        count = fread( setup,sizeof(unsigned char),MAX_LRNSTR,fp);

        fclose( fp );
    }
    write_lrnstr(setup,count);          /* send learnstring */
    write_IO(":RUN");
}/* end get_learnstring */
```

---

## sicl\_IO.c Sample Program

```
/* sicl_IO.c */

#include <stdio.h>          /* location of: printf() */
#include <string.h>        /* location of: strlen() */
#include "gpibdecl.h"

/* This file contains IO and initialization routines for the SICL libraries. */
/*
 * Function name:  init_IO
 * Parameters:    none
 * Return value:  int indicating success or failure of initialization.
 * Description:   This routine initializes the SICL environment. It sets up
 * error handling, opens both an interface and device session, sets timeout
 * values, clears the interface by pulsing IFC, and clears the instrument
 * by performing a Selected Device Clear.
 */

int init_IO( )
{
    ionerror(I_ERROR_EXIT);      /* set-up interface error handling */

    /* open interface session for verifying SRQ line */
    bus = iopen( INTERFACE );
    if ( bus == 0 )
    {
        printf("Bus session invalid\n");
        return FALSE;
    }

    itimeout( bus, 20000 );      /* set bus timeout to 20 sec */
    iclear( bus );              /* clear the interface - pulse IFC */
}
```

## Sample Programs

### sicl\_IO.c Sample Program

```
#ifdef LAN
    scope = bus;
#else
    scope = iopen( DEVICE_ADDR );          /* open the scope device session */
    if ( scope == 0)
    {
        printf( "Scope session invalid\n" );
        return FALSE;
    }

    itimeout( scope, 20000 );              /* set device timeout to 20 sec */
    iclear( scope );                      /* perform Selected Device Clear on oscilloscope */
#endif

    return TRUE;
} /* end init_IO */
```

```
/*
 * Function name: write_IO
 * Parameters: char *buffer which is a pointer to the character string to be
 * output; unsigned long length which is the length of the string to be output
 * Return value: none
 * Description: This routine outputs strings to the oscilloscope device session
 * using the unformatted I/O SICL commands.
 */

void write_IO( void *buffer )
{
    unsigned long actualcnt;
    unsigned long length;
    int send_end = 1;
    length = strlen( buffer );
    iwrite( scope, buffer, length, send_end, &actualcnt );

} /* end write_IO */

/*
 * Function name: write_lrnstr
 * Parameters: char *buffer which is a pointer to the character string to be
 * output; long length which is the length of the string to be output
 * Return value: none
 * Description: This routine outputs a learnstring to the oscilloscope device
 * session using the unformatted I/O SICL commands.
 */

void write_lrnstr( void *buffer, long length )
{
    unsigned long actualcnt;
    int send_end = 1;

    iwrite( scope, buffer, (unsigned long) length,
            send_end, &actualcnt );

} /* end write_lrnstr() */
```

## Sample Programs

### sicl\_IO.c Sample Program

```
/*
 * Function name: read_IO
 * Parameters: char *buffer which is a pointer to the character string to be
 * input; unsigned long length which indicates the max length of the string to
 * be input
 * Return value: integer which indicates the actual number of bytes read
 * Description: This routine inputs strings from the oscilloscope device session
 * using SICL commands.
 */

int read_IO(void *buffer,unsigned long length)
{
    int reason;
    unsigned long actualcnt;

    iread(scope,buffer,length,&reason,&actualcnt);

    return( (int) actualcnt );
}

/*
 * Function name: check_SRQ
 * Parameters: none
 * Return value: integer indicating if bus SRQ line was asserted
 * Description: This routine checks for the status of SRQ on the bus and
 * returns a value to indicate the status.
 */

int check_SRQ( void )
{
    int srq_asserted;

    /* check for SRQ line status */
    igpibbusstatus(bus, I_GPIB_BUS_SRQ, &srq_asserted);

    return( srq_asserted );
} /* end check_SRQ() */
```



```
/*  
* Function name: read_status  
* Parameters: none  
* Return value: unsigned char indicating the value of status byte  
* Description: This routine reads the oscilloscope status byte and returns  
* the status.  
*/
```

```
unsigned char read_status( void )  
{  
    unsigned char statusbyte;  
  
    /* Always read the status byte from instrument */  
    /* NOTE: ireadstb uses serial poll to read status byte - this  
       should clear bit 6 to allow another SRQ. */  
  
    ireadstb( scope, &statusbyte );  
    return( statusbyte );  
} /* end read_status() */
```

```
/*  
* Function name: close_IO  
* Parameters: none  
* Return value: none  
* Description: This routine closes device and interface sessions for the  
* SICL environment and calls the routine _siclcleanup which de-allocates  
* resources used by the SICL environment.  
*/
```

```
void close_IO( void )  
{  
    iclose( scope ); /* close device session */  
    iclose( bus ); /* close interface session */  
  
    _siclcleanup(); /* required for 16-bit applications */  
} /* end close_SICL() */
```

---

## natl\_IO.c Sample Program

```
/* natl_IO.c */

#include <stdio.h>      /* location of: printf() */
#include <string.h>     /* location of: strlen() */
#include "gpibdecl.h"

/* This file contains IO and initialization routines for the NI488.2 commands. */
/*
 * Function name:  gpiberr
 * Parameters:    char* - string describing error
 * Return value:  none
 * Description:   This routine outputs error descriptions to an error file.
 */

void gpiberr( char *buffer )
{
    printf("Error string: %s\n",buffer );
} /* end gpiberr() */

/*
 * Function name:  init_IO
 * Parameters:    none
 * Return value:  none
 * Description:   This routine initializes the NI environment. It sets up error
 * handling, opens both an interface and device session, sets timeout values
 * clears the interface by pulsing IFC, and clears the instrument by performing
 * a Selected Device Clear.
 */

void init_IO( void )
{
    bus = ibfind( INTERFACE );          /* open and initialize GPIB board */
    if( ibsta & ERR )
        gpiberr("ibfind error");

    ibconfig( bus, IbcAUTOPOLL, 0); /* turn off autopolling */

    ibsic( bus );                      /* clear interface - pulse IFC */
    if( ibsta & ERR )
    {
        gpiberr( "ibsic error" );
    }
}
```

```
/* open device session */
scope = ibdev( board_index, prim_addr, second_addr, timeout,
              eoi_mode, eos_mode );
if( ibsta & ERR )
{
    gpiberr( "ibdev error" );
}

ibclr( scope );                               /* clear the device( scope ) */

if( ibsta & ERR)
{
    gpiberr("ibclr error" );
}

} /* end init_IO */

/*
 * Function name: write_IO
 * Parameters: void *buffer which is a pointer to the character string
 *             to be output
 * Return value: none
 * Description: This routine outputs strings to the oscilloscope device session.
 */
void write_IO( void *buffer )
{
    long length;

    length = strlen( buffer );

    ibwrt( scope, buffer, (long) length );
    if ( ibsta & ERR )
    {
        gpiberr( "ibwrt error" );
    }
}

} /* end write_IO() */
```

## Sample Programs

### natl\_IO.c Sample Program

```
/*
 * Function name: write_lrnstr
 * Parameters: void *buffer which is a pointer to the character string to
 * be output; length which is the length of the string to be output
 * Return value: none
 * Description: This routine outputs a learnstring to the oscilloscope device
 * session.
 */
void write_lrnstr( void *buffer, long length )
{
    ibwrt( scope, buffer, (long) length );
    if ( ibsta & ERR )
    {
        gpiberr( "ibwrt error" );
    }
} /* end write_lrnstr() */

/*
 * Function name: read_IO
 * Parameters: char *buffer which is a pointer to the character string to be
 * input; unsigned long length which indicates the max length of the string
 * to be input
 * Return value: integer which indicates the actual number of bytes read
 * Description: This routine inputs strings from the oscilloscope device session.
 */
int read_IO(void *buffer,unsigned long length)
{
    ibrd(scope, buffer, ( long )length );

    return( ibcntl );
} /* end read_IO() */
```

```
/*
 * Function name: check_SRQ
 * Parameters:   none
 * Return value: integer indicating if bus SRQ line was asserted
 * Description: This routine checks for the status of SRQ on the bus and
 * returns a value to indicate the status.
 */

int check_SRQ( void )
{
    int srq_asserted;
    short control_lines = 0;

    iblines( bus, &control_lines);

    if( control_lines & BusSRQ )
        srq_asserted = TRUE;
    else
        srq_asserted = FALSE;

    return( srq_asserted );
} /* end check_SRQ() */

/*
 * Function name: read_status
 * Parameters:   none
 * Return value: unsigned char indicating the value of status byte
 * Description: This routine reads the oscilloscope status byte and returns
 * the status.
 */
unsigned char read_status( void )
{
    unsigned char statusbyte;

    /* Always read the status byte from instrument */

    ibrsp( scope, &statusbyte );

    return( statusbyte );
} /* end read_status() */
```

## Sample Programs

### natl\_IO.c Sample Program

```
/*  
* Function name: close_IO  
* Parameters:   none  
* Return value: none  
* Description: This routine closes device session.  
*/  
  
void close_IO( void )  
{  
    ibonl( scope,0 ); /* close device session */  
  
} /* end close_IO() */
```

---

## init.bas Sample Program

**The BASIC programming language can be used to set up and transfer data to your PC. However, because of the limitations of BASIC, it is not the best language to use when transferring large amounts of data to your PC.**

```
10  !file: init
20  !
30  !
40  !   This program demonstrates the order of commands suggested for
operation of
50  !   the 8000A oscilloscope via GPIB. This program initializes the
oscilloscope, acquires
60  !   data, performs automatic measurements, and transfers and stores the
data on the
70  !   PC as time/voltage pairs in a comma-separated file format useful for
spreadsheet
80  !   applications. It assumes an interface card at interface select code 7, an
90  !   8000A oscilloscope at address 7, and the 8000A cal waveform connected
to Channel 1.
100 !
110 !
120 !
130 COM /Io/@Scope,@Path,Interface
140 COM /Raw_data/ INTEGER Data(4095)
150 COM /Converted_data/ REAL Time(4095),Volts(4095)
160 COM /Variables/ REAL Xinc,Xorg,Yinc,Yorg
170 COM /Variables/ INTEGER Record_length
180 !
190 !
200 CALL Initialize
210 CALL Acquire_data
220 CALL Auto_msmts
230 CALL Transfer_data
240 CALL Convert_data
250 CALL Store_csv
260 CALL Close
270 END
280 !
```

## Sample Programs

### init.bas Sample Program

```
290
!!!!!!!!!!!!!!!!!!!!!!!!!!!!!!!!!!!!!!!!!!!!!!!!!!!!!!!!!!!!!!!!!!!!!!!!!!!!!!
!!!!!!!!!!!!!!!!!!!!
300 !
310 !
320 !           BEGIN SUBPROGRAMS
330 !
340
!!!!!!!!!!!!!!!!!!!!!!!!!!!!!!!!!!!!!!!!!!!!!!!!!!!!!!!!!!!!!!!!!!!!!!!!!!!!!!
!!!!!!!!!!!!!!!!!!!!
350 !
360 !
370 !   Subprogram name:  Initialize
380 !   Parameters: none
390 !   Return value: none
400 !   Description: This routine initializes the interface and the
oscilloscope. The instrument
410 !   is reset to a known state and the interface is cleared. System headers
420 !   are turned off to allow faster throughput and immediate access to the
430 !   data values requested by the queries. The oscilloscope time base,
440 !   channel, and trigger subsystems are then configured. Finally, the
450 !   acquisition subsystem is initialized.
460 !
470 !
480 SUB Initialize
490 COM /Io/@Scope,@Path,Interface
500 COM /Variables/ REAL Xinc,Xorg,Yinc,Yorg
510 COM /Variables/ INTEGER Record_length
520   Interface=7
530   ASSIGN @Scope TO 707
540   RESET Interface
550   CLEAR @Scope
560   OUTPUT @Scope;"*RST"
570   OUTPUT @Scope;"*CLS"
580   OUTPUT @Scope;":SYSTEM:HEADER OFF"
590   !Initialize Timebase: center reference, 2 ms full-scale (200 us/div),
      20 us delay
600   OUTPUT @Scope;":TIMEbase:REFERenCE CENTer;RANGe 2e-3;POSITion 20e-6"
610   ! Initialize Channel1: 1.6V full-scale (200mv/div), -415mv offset
620   OUTPUT @Scope;":CHANnel1:RANGe 1.6;OFFSet -415e-3"
630   !Initialize Trigger: Edge trigger, channel1 source at -415mv
640   OUTPUT @Scope;":TRIGger:EDGE:SOURce CHANnel1;SLOPe POSitive"
650   OUTPUT @Scope;":TRIGger:LEVel CHANnel1,-0.415"
660   ! Initialize acquisition subsystem
665   ! Real time acquisition, Averaging off, memory depth 4096
670   OUTPUT @Scope;":ACQuire:MODE RTIME;AVERAge OFF;POINTs 4096"
680   Record_length=4096
690 SUBEND
```



```

700      !
710      !
720
!!!!!!!!!!!!!!!!!!!!!!!!!!!!!!!!!!!!!!!!!!!!!!!!!!!!!!!!!!!!!!!!!!!!!!!!!!!!!!!!!!!!
!!!!!!!!!!!!
730      !
740      !
750      !      Subprogram name:  Acquire_data
760      !      Parameters: none
770      !      Return value: none
780      !      Description:  This routine acquires data according to the current
instrument
790      !                  setting.  It uses the root level :DIGitize command.
This command
800      !                  is recommended for acquisition of new data because
it will initialize
810      !                  the data buffers, acquire new data, and ensure that
acquisition
820      !                  criteria are met before acquisition of data is
stopped.  The captured
830      !                  data is then available for measurements, storage,
or transfer to a
840      !                  PC.  Note that the display is automatically turned
off by the :DIGitize
850      !                  command and must be turned on to view the captured data.
860      !
870      !
880      SUB Acquire_data
890      COM /Io/@Scope,@Path,Interface
900      OUTPUT @Scope;":DIGitize CHANnell1"
910      OUTPUT @Scope;":CHANnell1:DISPlay ON"
920      SUBEND
930      !
940      !
950
!!!!!!!!!!!!!!!!!!!!!!!!!!!!!!!!!!!!!!!!!!!!!!!!!!!!!!!!!!!!!!!!!!!!!!!!!!!!!!!!!!!!
!!!!!!!!!!!!
960      !
970      !
980      !      Subprogram name:  Auto_msmts
990      !      Parameters: none
1000     !      Return value: none

1010     !      Description:  This routine performs automatic measurements of
volts peak-to-peak
1020     !                  and frequency on the acquired data.  It also
demonstrates two methods
1030     !                  of error detection when using automatic measurements.

```

## Sample Programs

### init.bas Sample Program

```
1040    !
1050    !
1060    SUB Auto_msmts
1070    COM /Io/@Scope,@Path,Interface
1080    REAL Freq,Vpp
1090    DIM Vpp_str${64}
1100    DIM Freq_str${64}
1110    Bytes_read=0
1120    !
1130    !      Error checking on automatic measurements can be done using one of
1140    !      two methods.
1150    !      The first method requires that you turn on results in the Measurement
1160    !      subsystem
1170    !      using the command ":MEASure:SEND ON".  When this is on, the
1180    !      oscilloscope will return the
1190    !      measurement and a result indicator.  The result flag is zero if
1200    !      the measurement
1210    !      was successfully completed, otherwise a non-zero value is returned
1220    !      which indicates
1230    !      why the measurement failed.  See the Programmer's Manual for
1240    !      descriptions of result
1250    !      indicators.  The second method simply requires that you check the
1260    !      return value of
1270    !      the measurement.  Any measurement not made successfully will return
1280    !      with the value
1290    !      +9.999e37.  This could indicate that either the measurement was
1300    !      unable to be
1310    !      performed or that insufficient waveform data was available to make
1320    !      the measurement.
1330    !
1340    !      METHOD ONE
1350    !
1360    !      OUTPUT @Scope;":MEASure:SENDvalid ON"          !turn on results
1370    !      OUTPUT @Scope;":MEASure:VPP? CHANnel1"        !Query volts peak-to-peak
1380    !      ENTER @Scope;Vpp_str$
1390    !      Bytes_read=LEN(Vpp_str$)                        !Find length of string
1400    !      CLEAR SCREEN
1410    !      IF Vpp_str${Bytes_read;1}="0" THEN            !Check result value
1420    !          PRINT
1430    !          PRINT "VPP is ";VAL(Vpp_str${1,Bytes_read-1})
1440    !          PRINT
1450    !      ELSE
1460    !          PRINT
1470    !          PRINT "Automated vpp measurement error with result
1480    !          ";Vpp_str${Bytes_read;1}
1490    !          PRINT
1500    !      END IF
1510    !
```

```

1410      !
1420          OUTPUT @Scope;":MEASure:FREQuency? CHANnel1" !Query frequency
1430          ENTER @Scope;Freq_str$
1440          Bytes_read=LEN(Freq_str$) !Find string length
1450          IF Freq_str$[Bytes_read;1]="0" THEN !Determine result value
1460              PRINT
1470              PRINT "Frequency is ";VAL(Freq_str$[1,Bytes_read-1])
1480              PRINT
1490          ELSE
1500              PRINT
1510              PRINT "Automated frequency measurement error with result
";Freq_str$[Bytes_read;1]
1520              PRINT
1530          END IF
1540      !
1550      !
1560      ! METHOD TWO
1570      !
1580          OUTPUT @Scope;":MEASure:SENDvalid OFF" !turn off results
1590          OUTPUT @Scope;":MEASure:VPP? CHANnel1" !Query volts peak-to-peak
1600          ENTER @Scope;Vpp
1610          IF Vpp<9.99E+37 THEN
1620              PRINT
1630              PRINT "VPP is ";Vpp
1640              PRINT
1650          ELSE
1660              PRINT
1670              PRINT "Automated vpp measurement error ";Vpp
1680              PRINT
1690          END IF
1700          OUTPUT @Scope;":MEASure:FREQuency? CHANnel1"
1710          ENTER @Scope;Freq
1720          IF Freq<9.99E+37 THEN
1730              PRINT
1740              PRINT "Frequency is ";Freq
1750              PRINT
1760          ELSE
1770              PRINT
1780              PRINT "Automated frequency measurement error";Freq
1790              PRINT
1800          END IF
1810      SUBEND
1820      !
1830      !
1840
!!!!!!!!!!!!!!!!!!!!!!!!!!!!!!!!!!!!!!!!!!!!!!!!!!!!!!!!!!!!!!!!!!!!!!!!!!!!!!!!!!!!!!!!!!!!!!!!!!!!!!!!!!!!!!!!!!!!!!!!
!!!!!!!!!!!!
1850      !

```

## Sample Programs

### init.bas Sample Program

```

1860 !
1870 !   Subprogram name:  Transfer_data
1880 !   Parameters: none
1890 !   Return value: none
1900 !   Description: This routine transfers the waveform data and conversion
factors to
1910 !           to PC.
1920 !
1930 !
1940 SUB Transfer_data
1950 COM /Io/@Scope,@Path,Interface
1960 COM /Raw_data/ INTEGER Data(4095)
1970 COM /Converted_data/ REAL Time(4095),Volts(4095)
1980 COM /Variables/ REAL Xinc,Xorg,Yinc,Yorg
1990 COM /Variables/ INTEGER Record_length
2000 !           define waveform data source and format
2010 OUTPUT @Scope;":WAVEform:SOURce CHANnel1"
2020 OUTPUT @Scope;":WAVEform:FORMat WORD"
2030 !           request values needed to convert raw data to real
2040 OUTPUT @Scope;":WAVEform:XINCrement?"
2050 ENTER @Scope;Xinc
2060 OUTPUT @Scope;":WAVEform:XORigin?"
2070 ENTER @Scope;Xorg
2100 OUTPUT @Scope;":WAVEform:YINCrement?"
2110 ENTER @Scope;Yinc
2120 OUTPUT @Scope;":WAVEform:YORigin?"
2130 ENTER @Scope;Yorg
2160 !
2170 !           request data
2180 OUTPUT @Scope;":WAVEform:DATA?"
2190 ENTER @Scope USING "#,1A";First_chr$           !ignore leading #
2200 ENTER @Scope USING "#,1D";Header_length       !input number of bytes in
header value
2210 ENTER @Scope USING "#, "&VAL$(Header_length)&"D";Record_length       !Record
length in bytes
2220 Record_length=Record_length/2                 !Record length in words
2230 ENTER @Scope USING "#,W";Data(*)
2240 ENTER @Scope USING "#,A";Term$               !Enter terminating character
2250 !
2260 SUBEND
2270 !
2280 !
2290
!!!!!!!!!!!!!!!!!!!!!!!!!!!!!!!!!!!!!!!!!!!!!!!!!!!!!!!!!!!!!!!!!!!!!!!!!!!!!!!!!!!!
!!!!!!!!!!!!!!
2300 !
2310 !
2320 !   Subprogram name:  Convert_data

```

```

2330 !      Parameters: none
2340 !      Return value: none
2350 !      Description:  This routine converts the waveform data to time/
voltage information
2360 !              using the values Xinc, Xorg, Yinc, and Yorg used to describe
2370 !              the raw waveform data.
2380 !
2390 !
2400 SUB Convert_data
2410 COM /Io/@Scope,@Path,Interface
2420 COM /Raw_data/ INTEGER Data(4095)
2430 COM /Converted_data/ REAL Time(4095),Volts(4095)
2440 COM /Variables/ REAL Xinc,Xorg,Yinc,Yorg
2450 COM /Variables/ INTEGER Record_length
2460 !
2470 FOR I=0 TO Record_length-1
2480     Time(I)=(I-*Xinc)+Xorg
2490     Volts(I)=(Data(I)*Yinc)+Yorg
2500 NEXT I
2510 SUBEND
2520 !
2530 !
2540
!!!!!!!!!!!!!!!!!!!!!!!!!!!!!!!!!!!!!!!!!!!!!!!!!!!!!!!!!!!!!!!!!!!!!!!!!!!!!!
!!!!!!!!!!!!!!!!!!!!
2550 !
2560 !
2570 !      Subprogram name: Store_csv
2580 !      Parameters: none
2590 !      Return value: none
2600 !      Description:  This routine stores the time and voltage information
about the waveform
2610 !              as time/voltage pairs in a comma-separated variable
file format.
2620 !
2630 !
2640 SUB Store_csv
2650 COM /Io/@Scope,@Path,Interface
2660 COM /Converted_data/ REAL Time(4095),Volts(4095)
2670 COM /Variables/ REAL Xinc,Xorg,Yinc,Yorg
2680 COM /Variables/ INTEGER Record_length
2690     !Create a file to store pairs in
2700 ON ERROR GOTO Cont
2710 PURGE "Pairs.csv"
2720 Cont: OFF ERROR
2730 CREATE "Pairs.csv",Max_length
2740 ASSIGN @Path TO "Pairs.csv";FORMAT ON
2750     !Output data to file

```

## Sample Programs

### init.bas Sample Program

```
2760 FOR I=0 TO Record_length-1
2770     OUTPUT @Path;Time(I),Volts(I)
2780 NEXT I
2790 SUBEND
2800 !
2810 !
2820
!!!!!!!!!!!!!!!!!!!!!!!!!!!!!!!!!!!!!!!!!!!!!!!!!!!!!!!!!!!!!!!!!!!!!!!!!!!!!!
!!!!!!!!!!!!!!
2830 !
2840 !
2850 !     Subprogram name: Close
2860 !     Parameters: none
2870 !     Return value: none
2880 !     Description: This routine closes the IO paths.
2890 !
2900 !
2910 SUB Close
2920 COM /Io/@Scope,@Path,Interface
2930
2940 RESET Interface
2950 ASSIGN @Path TO *
2960 SUBEND
```

---

## srq.bas Sample Program

**The BASIC programming language can be used to set up and transfer data to your PC. However, because of the limitations of BASIC, it is not the best language to use when transferring large amounts of data to your PC.**

```
10      !File: srq.bas
20      !
30      !   This program demonstrates how to set up and check Service Requests from
40      !   the oscilloscope.  It assumes an interface select code of 7 with an
oscilloscope at
50      !   address 7.  It also assumes a waveform is connected to the oscilloscope.
60      !
70      !
80      COM /Io/@Scope,Interface
90      COM /Variables/Temp
100     CALL Initialize
110     CALL Setup_srq
120     ON INTR Interface CALL Srq_handler      !Set up routine to handle interrupt
130     ENABLE INTR Interface;2                !Enable SRQ Interrupt for Interface
140     CALL Create_srq
150     CALL Close
160     END
170     !
```

## Sample Programs

### sq.bas Sample Program

```
180
!!!!!!!!!!!!!!!!!!!!!!!!!!!!!!!!!!!!!!!!!!!!!!!!!!!!!!!!!!!!!!!!!!!!!!!!!!!!!!!!!!!!!!
190 !
200 !           BEGIN SUBPROGRAMS
210 !
220
!!!!!!!!!!!!!!!!!!!!!!!!!!!!!!!!!!!!!!!!!!!!!!!!!!!!!!!!!!!!!!!!!!!!!!!!!!!!!!!!!!!!!!
230 !
240 !
250 !   Subprogram name:  Initialize
260 !   Parameters: none
270 !   Return value: none
280 !   Description:   This routine initializes the interface and the
oscilloscope.
290 !           The instrument is reset to a known state and the interface is
300 !           cleared.  System headers are turned off to allow
faster throughput
310 !           and immediate access to the data values requested by the queries.
320 !
330 !
340 SUB Initialize
350 COM /Io/@Scope,Interface
360     ASSIGN @Scope TO 707
370     Interface=7
380     RESET Interface
390     CLEAR @Scope
400     OUTPUT @Scope;"*RST"
410     OUTPUT @Scope;"*CLS"
420     OUTPUT @Scope;":SYSTem:HEADer OFF"
430     OUTPUT @Scope;":AUToscale"
440 SUBEND
450 !
460 !
470 !
```



```
480
!!!!!!!!!!!!!!!!!!!!!!!!!!!!!!!!!!!!!!!!!!!!!!!!!!!!!!!!!!!!!!!!!!!!!!!!!!!!!!!!!!!!!!!!!!!!!!!!!!!!!!!!!!!!!!!!!!!!!!!!
!!
490  !
500  !      Subprogram name: Setup_srq
510  !      Parameters: none
520  !      Return value: none
530  !      Description:  This routine sets up the oscilloscope to generate
Service Requests.
540  !              It sets the Service Request Enable Register Event Status Bit
550  !              and the Standard Event Status Enable REGISTER to allow SRQs on
560  !              Command or Query errors.
570  !
580  !
590  SUB Setup_srq
600  COM /Io/@Scope,Interface
610      OUTPUT @Scope;"*SRE 32"      !Enable Service Request Enable Registers
- Event Status bit
620  !
630  !      Enable Standard Event Status Enable Register:
640  !          enable bit 5 - Command Error - value 32
650  !          bit 2 - Query Error - value 4
660      OUTPUT @Scope;"*ESE 36"
670  SUBEND
680  !
690  !
700  !
```



```

1020
!!!!!!!!!!!!!!!!!!!!!!!!!!!!!!!!!!!!!!!!!!!!!!!!!!!!!!!!!!!!!!!!!!!!!!!!!!!!!!!!!!!!!!!!!!!!!!!!!!!!!!!!!!!!!!!!!!!!!!!!
!!!!!!!
1030 !
1040 !
1050 !     Subprogram name:  Srq_handler
1060 !     Parameters: none
1070 !     Return value: none
1080 !     Description: This routine verifies the status of the SRQ line. It
then checks
1090 !                               the status byte of the oscilloscope to determine if
the oscilloscope caused the
1100 !                               SRQ. Note that using a SPOLL to read the status byte
of the oscilloscope
1110 !                               clears the SRQ and allows another to be generated.
The error queue
1120 !                               is read until all errors have been cleared. All event
registers and
1130 !                               queues, except the output queue, are cleared before
control is returned
1140 !                               to the main program.
1150 !
1160 !
1170 !
1180 SUB Srq_handler
1190     COM /Io/@Scope,Interface
1200     DIM Error_str$(64)
1210     INTEGER Srq_asserted,More_errors
1220     Status_byte=SPOLL(@Scope)
1230     IF BIT(Status_byte,6) THEN
1240         More_errors=1
1250         WHILE More_errors
1260             OUTPUT @Scope;":SYSTem:ERROR? STRING"
1270             ENTER @Scope;Error_str$
1280             PRINT
1290             PRINT Error_str$
1300             IF Error_str$[1,1]="0" THEN
1310                 OUTPUT @Scope;"*CLS"
1320                 More_errors=0
1330             END IF
1340         END WHILE
1350     ELSE
1360         PRINT
1370         PRINT "Scope did not cause SRQ"
1380         PRINT
1390     END IF
1400     ENABLE INTR Interface;2     !re-enable SRQ
1410 SUBEND

```

**Sample Programs**  
**sq.bas Sample Program**

```
1420 !
1430 !
1440
!!!!!!!!!!!!!!!!!!!!!!!!!!!!!!!!!!!!!!!!!!!!!!!!!!!!!!!!!!!!!!!!!!!!!!!!!!!!!!
!!!
1450 !
1460 !      Subprogram name:  Close
1470 !      Parameters: none
1480 !      Return value: none
1490 !      Description:  This routine resets the interface.
1500 !
1510 !
1520 !
1530 SUB Close
1540 COM /Io/@Scope,Interface
1550
1560 RESET Interface
1570 SUBEND
1580 !
1590 !
1600
!!!!!!!!!!!!!!!!!!!!!!!!!!!!!!!!!!!!!!!!!!!!!!!!!!!!!!!!!!!!!!!!!!!!!!!!!!!!!!
!!!!!!
```

---

## lrn\_str.bas Sample Program

**The BASIC programming language can be used to set up and transfer data to your PC. However, because of the limitations of BASIC, it is not the best language to use when transferring large amounts of data to your PC.**

```

10      !FILE: lrn_str.bas
20      !
30      !THIS PROGRAM WILL INITIALIZE THE OSCILLOSCOPE, AUTOSCALE, AND DIGITIZE
THE WAVEFORM
40      !INFORMATION. IT WILL THEN QUERY THE INSTRUMENT FOR THE LEARNSTRING AND WILL
50      !SAVE THE INFORMATION TO A FILE. THE PROGRAM WILL THEN PROMPT YOU TO CHANGE
60      !THE SETUP THEN RESTORE THE ORIGINAL LEARNSTRING CONFIGURATION. IT ASSUMES
70      !AN 8000A at ADDRESS 7, GPIB INTERFACE at 7, AND THE CAL waveform ATTACHED TO
80      !CHANNEL 1.
90      !
100     !
110     COM /Io/@Scope,@Path,Interface
120     COM /Variables/Max_length
130     CALL Initialize
140     CALL Store_lrnstr
150     CALL Change_setup
160     CALL Get_lrnstr
170     CALL Close
180     END
190     !
200     !
210
!!!!!!!!!!!!!!!!!!!!!!!!!!!!!!!!!!!!!!!!!!!!!!!!!!!!!!!!!!!!!!!!!!!!!!!!!!!!!!!!!!!!!!
!
220    !
230    !                               BEGIN SUBROUTINES
240    !
250
!!!!!!!!!!!!!!!!!!!!!!!!!!!!!!!!!!!!!!!!!!!!!!!!!!!!!!!!!!!!!!!!!!!!!!!!!!!!!!!!!!!!!!
!
260    !   Subprogram name:  Initialize
270    !   Parameters: none
280    !   Return value: none
290    !   Description: This routine initializes the path descriptions and
resets the
300    !                               interface and the oscilloscope. It performs an autoscale
on the waveform,

```

## Sample Programs

### Irn\_str.bas Sample Program

```

310 !           acquires the data on channel 1, and turns on the display.
320 !           NOTE: This routine also turns on system headers. This allows the
330 !           string ":SYSTEM:SETUP " to be returned with the
learnstring so the
340 !           return string is in the proper format.
350 !
360 SUB Initialize
370     COM /Io/@Scope,@Path,Interface
380     COM /Variables/Max_length
390     Max_length=40000
400     ASSIGN @Scope TO 707
410     Interface=7
420     RESET Interface
430     CLEAR @Scope
440     OUTPUT @Scope;"*RST"
450     OUTPUT @Scope;"*CLS"
460     OUTPUT @Scope;":SYSTEM:HEADer ON"
470     OUTPUT @Scope;":AUToscale"
480 SUBEND
490 !
500 !
510
!!!!!!!!!!!!!!!!!!!!!!!!!!!!!!!!!!!!!!!!!!!!!!!!!!!!!!!!!!!!!!!!!!!!!!!!!!!!!!
!!!!
520 !
530 !
540 !           Subprogram name: Store_lrnstr
550 !           Parameters: none
560 !           Return value: none
570 !           Description: This routine creates a file in which to store the
learnstring
580 !           configuration (Filename:Lrn_strg). It requests the learnstring
590 !           and inputs the configuration to the PC. Finally, it stores the
600 !           configuration to the file.
610 !
620 SUB Store_lrnstr
630     COM /Io/@Scope,@Path,Interface
640     COM /Variables/Max_length
650     ON ERROR GOTO Cont
660     PURGE "Lrn_strg"
670 Cont: OFF ERROR
680     CREATE BDAT "Lrn_strg",1,40000
690     DIM Setup$(40000)
700     ASSIGN @Path TO "Lrn_strg"
710     OUTPUT @Scope;":SYSTEM:SETup?"
720     ENTER @Scope USING "-K";Setup$
730     OUTPUT @Path,1;Setup$
740     CLEAR SCREEN

```

```

750         PRINT "Learn string stored in file: Lrn_strg"
760     SUBEND
770     !
780     !
790
!!!!!!!!!!!!!!!!!!!!!!!!!!!!!!!!!!!!!!!!!!!!!!!!!!!!!!!!!!!!!!!!!!!!!!!!!!!!!!
!!!!!!!!!!!!
800     !
810     !     Subprogram name: Change_setup
820     !     Parameters: none
830     !     Return value: none
840     !     Description: This subprogram requests that the user change the
850     !                   oscilloscope setup, then press a key to continue.
860     !
870     !
880     SUB Change_setup
890         COM /Io/@Scope,@Path,Interface
900
910         PRINT
920         PRINT "Please adjust setup and press Continue to resume."
930         PAUSE
940     SUBEND
950     !
960     !
970
!!!!!!!!!!!!!!!!!!!!!!!!!!!!!!!!!!!!!!!!!!!!!!!!!!!!!!!!!!!!!!!!!!!!!!!!!!!!!!
!!!!!!!!!!!!
980     !
990     !     Subprogram name: Get_lrnstr
1000    !     Parameters: none
1010    !     Return value: none
1020    !     Description: This subprogram loads a learnstring from the
1030    !                   file "Lrn_strg" to the oscilloscope.
1040    !
1050    !
1060    SUB Get_lrnstr
1070        COM /Io/@Scope,@Path,Interface
1080        COM /Variables/Max_length
1090        DIM Setup$(40000)
1100        ENTER @Path,1;Setup$
1110        OUTPUT @Scope USING "#,-K";Setup$
1120        OUTPUT @Scope;":RUN"
1130    SUBEND
1140    !
1150    !

```

**Sample Programs**  
**Irn\_str.bas Sample Program**

```
1160
!!!!!!!!!!!!!!!!!!!!!!!!!!!!!!!!!!!!!!!!!!!!!!!!!!!!!!!!!!!!!!!!!!!!!!!!!!!!!!
!!!!!!
1170 !
1180 !
1190 !      Subprogram name: Close
1200 !      Parameters: none
1210 !      Return value: none
1220 !      Description:  This routine resets the interface, and closes all I/
O paths.
1230 !
1240 !
1250 !
1260 SUB Close
1270 COM /Io/@Scope,@Path,Interface
1280
1290 RESET Interface
1300 ASSIGN @Path TO *
1310 SUBEND
1320 !
1330
!!!!!!!!!!!!!!!!!!!!!!!!!!!!!!!!!!!!!!!!!!!!!!!!!!!!!!!!!!!!!!!!!!!!!!!!!!!!!!
!!!
```





---

# Acquire Commands

The ACQUIRE subsystem commands set up conditions for executing a :DIGITIZE root level command to acquire waveform data. The commands in this subsystem select the type of data, the number of averages, and the number of data points.

These ACQUIRE commands and queries are implemented in the Infiniium Oscilloscopes:

- AVERage
- AVERage:COUNT
- COMplete
- COMplete:STATe
- INTerpolate
- MODE
- POINTs (memory depth)
- POINTs:AUTO
- SEGmented:COUNT
- SEGmented:INDEX
- SEGmented:TTAGs
- SRATe (sampling rate)
- SRATe:AUTO

---

## AVERage

**Command**                   :ACQuire:AVERage {{ON|1} | {OFF|0}}

The :ACQuire:AVERage command enables or disables averaging. When ON, the oscilloscope acquires multiple data values for each time bucket, and averages them. When OFF, averaging is disabled. To set the number of averages, use the :ACQuire:AVERage:COUNT command described next.

Averaging is not available in PDETECT mode.

The :MTEST:AVERage command performs the same function as this command.

---

**Example**                   This example turns averaging on.

```
10 OUTPUT 707; ":ACQUIRE:AVERAGE ON"
20 END
```

---

**Query**                    :ACQuire:AVERage?

The :ACQuire:AVERage? query returns the current setting for averaging.

**Returned Format**       [:ACQuire:AVERAGE] {1|0}<NL>

---

**Example**                   This example places the current settings for averaging into the string variable, Setting\$, then prints the contents of the variable to the computer's screen.

```
10 DIM Setting$[50]!Dimension variable
20 OUTPUT 707; ":ACQUIRE:AVERAGE?"
30 ENTER 707;Setting$
40 PRINT Setting$
50 END
```

---

---

## AVERage:COUNT

**Command**           :ACQuire:AVERage:COUNT <count\_value>

The :ACQuire:AVERage:COUNT command sets the number of averages for the waveforms. In the AVERage mode, the :ACQuire:AVERage:COUNT command specifies the number of data values to be averaged for each time bucket before the acquisition is considered complete for that time bucket.

The :MTESt:AVERage:COUNT command performs the same function as this command.

<count\_value> An integer, 2 to 4096, specifying the number of data values to be averaged.

---

**Example**           This example specifies that 16 data values must be averaged for each time bucket to be considered complete. The number of time buckets that must be complete for the acquisition to be considered complete is specified by the :ACQuire:COMPLetE command.

```
10  OUTPUT 707; ":ACQUIRE:AVERAGE:COUNT 16"  
20  END
```

---

**Query**             :ACQuire:AVERAGE:COUNT?

The :ACQuire:AVERage:COUNT? query returns the currently selected count value.

**Returned Format**   [:ACQuire:AVERage:COUNT] <value><NL>

<value> An integer, 2 to 4096, specifying the number of data values to be averaged.

---

**Example**           This example checks the currently selected count value and places that value in the string variable, Result\$. The program then prints the contents of the variable to the computer's screen.

```
10  OUTPUT 707; ":SYSTEM:HEADER OFF"  
20  OUTPUT 707; ":ACQUIRE:AVERAGE:COUNT?"  
30  ENTER 707;Result  
40  PRINT Result  
50  END
```

---

## COMPLETE

**Command**           :ACQUIRE:COMPLETE <percent>

The :ACQUIRE:COMPLETE command specifies how many of the data point storage bins (time buckets) in the waveform record must contain a waveform sample before a measurement will be made. For example, if the command :ACQUIRE:COMPLETE 60 has been sent, 60% of the storage bins in the waveform record must contain a waveform data sample before a measurement is made.

- If :ACQUIRE:AVERAGE is set to OFF, the oscilloscope only needs one value per time bucket for that time bucket to be considered full.
- If :ACQUIRE:AVERAGE is set to ON, each time bucket must have  $n$  hits for it to be considered full, where  $n$  is the value set by :ACQUIRE:AVERAGE:COUNT.

Due to the nature of real time acquisition, 100% of the waveform record bins are filled after each trigger event, and all of the previous data in the record is replaced by new data when :ACQUIRE:AVERAGE is off. Hence, the complete mode really has no effect, and the behavior of the oscilloscope is the same as when the completion criteria is set to 100% (this is the same as in PDETECT mode). When :ACQUIRE:AVERAGE is on, all of the previous data in the record is replaced by new data.

The range of the :ACQUIRE:COMPLETE command is 0 to 100 and indicates the percentage of time buckets that must be full before the acquisition is considered complete. If the complete value is set to 100%, all time buckets must contain data for the acquisition to be considered complete. If the complete value is set to 0, then one acquisition cycle will take place. Completion is set by default setup or \*RST to 90%. Autoscale changes it to 100%.

<percent> An integer, 0 to 100, representing the percentage of storage bins (time buckets) that must be full before an acquisition is considered complete.

---

### Example

This example sets the completion criteria for the next acquisition to 90%.

```
10 OUTPUT 707; " :ACQUIRE:COMPLETE 90 "
20 END
```

---

## Acquire Commands

### COMPIete

**Query**                   :ACQuire:COMPIete?

The :ACQuire:COMPIete? query returns the completion criteria.

**Returned Format**       [:ACQuire:COMPIete] <percent><NL>

<percent> An integer, 0 to 100, representing the percentage of time buckets that must be full before an acquisition is considered complete.

---

#### Example

This example reads the completion criteria and places the result in the variable, Percent. Then, it prints the content of the variable to the computer's screen.

```
10 OUTPUT 707; ":SYSTEM:HEADER OFF"  
20 OUTPUT 707; ":ACQUIRE:COMPLETE?"  
30 ENTER 707;Percent  
40 PRINT Percent  
50 END
```

---

---

## COMPLete:STATe

**Command**                   :ACQuire:COMPLete:STATe {{ON|1} | OFF|0}}

The :ACQuire:COMPLete:STATe command specifies the state of the :ACQuire:COMPLete mode. This mode is used to make a tradeoff between how often equivalent time waveforms are measured, and how much new data is included in the waveform record when a measurement is made. This command has no effect when the oscilloscope is in real time mode because the entire record is filled on every trigger. However, in equivalent time mode, as few as 0 new data points will be placed in the waveform record as the result of any given trigger event. You set the acquire mode of the oscilloscope by using the :ACQuire:MODE command.

<p><b>Use :ACQuire:COMPLete:STATe when DIGitize is Not Performing</b> <b>The :ACQuire:COMPLete:STATe command is used only when the oscilloscope is operating in equivalent time mode and a digitize operation is not being performed. The :DIGitize command temporarily overrides the setting of this mode and forces it to ON.</b></p>
---

- ON Turns the COMPLete mode on. Then you can specify the completion percent.
- OFF When off, the oscilloscope makes measurements on waveforms after each acquisition cycle, regardless of how complete they are. The waveform record is not cleared after each measurement. Instead, previous data points will be replaced by new samples as they are acquired.

**Query**                   :ACQuire:COMPLete:STATe?

The :ACQuire:COMPLete? query returns the state of the :ACQuire:COMPLete mode.

## INTerpolate

**Command**           :ACQuire:INTerpolate {{ON|1} | {OFF|0}}

The :ACQuire:INTerpolate command turns the sin(x)/x interpolation filter on or off when the oscilloscope is in one of the real time sampling modes.

**Query**             :ACQuire:INTerpolate?

The :ACQuire:INTerpolate? query returns the current state of the sin(x)/x interpolation filter control.

**Returned Format**   [:ACQuire:INTerpolate] {1|0}<NL>



---

## MODE

**Command** :ACquire:MODE {RTIME|{ETIME|REPetitive}|PDETECT|HRESolution | SEGmented}

The :ACquire:MODE command sets the acquisition mode of the oscilloscope. Sampling mode can be Equivalent Time (Repetitive), Real Time Normal, Real Time Peak Detect, Segmented, or Real Time High Resolution.

**RTIME** In Real Time Normal mode, the complete data record is acquired on a single trigger event.

**ETIME or REPetitive** In Equivalent Time (Repetitive) mode, the data record is acquired over multiple trigger events.

**PDETECT** In Real Time Peak Detect mode, the oscilloscope acquires all of the waveform data points during one trigger event. The data is acquired at the fastest sample rate of the oscilloscope regardless of the horizontal scale setting. The sampling rate control then shows the storage rate into the channel memory rather than the sampling rate. The storage rate determines the number of data points per data region. From each data region, four sample points are chosen to be displayed for each time column. The four sample points chosen from each data region are:

- the minimum voltage value sample
- the maximum voltage value sample
- a randomly selected sample
- an equally spaced sample

The number of samples per data region is calculated using the equation:

$$\text{Number of Samples} = \frac{\text{Sampling Rate}}{\text{Storage Rate}}$$

The remainder of the samples are not used for display purposes.

**HRESolution** In Real Time High Resolution mode, the oscilloscope acquires all the waveform data points during one trigger event and averages them thus reducing noise and improving voltage resolution. The data is acquired at the fastest sample rate of the oscilloscope regardless of the horizontal scale setting. The sampling rate control then shows the storage rate into the channel memory rather than the sampling rate. The number of samples that are averaged together per data region is calculated using the equation

$$\text{Number of Samples} = \frac{\text{Sampling Rate}}{\text{Storage Rate}}$$

## Acquire Commands

### MODE

This number determines how many samples are averaged together to form the 16-bit samples that are stored into the channel memories.

**SEGmented** In this sampling mode you can view waveform events that are separated by long periods of time without capturing waveform events that are not of interest to you.

---

#### Example

This example sets the acquisition mode to Real Time Normal.

```
10 OUTPUT 707; ":ACQUIRE:MODE RTIME"  
20 END
```

---

#### Query

:ACQUIRE:MODE?

The :ACQUIRE:MODE? query returns the current acquisition sampling mode.

#### Returned Format

[ :ACQUIRE:MODE ] { RTIME | { ETIME | REPetitive } | PDETECT |  
HRESolution | SEGmented } <NL>

---

#### Example

This example places the current acquisition mode in the string variable, Mode\$, then prints the contents of the variable to the computer's screen.

```
10 DIM Mode$[50]!Dimension variable  
20 OUTPUT 707; ":ACQUIRE:MODE?"  
30 ENTER 707; Mode$  
40 PRINT Mode$  
50 END
```

---

---

## POINTS

**Command**            :ACQuire:POINTs {AUTO | <points\_value>}

The :ACQuire:POINTs command sets the requested memory depth for an acquisition. Before you download data from the oscilloscope to your computer, always query the points value with the :WAVEform:POINTs? query or :WAVEform:PREamble? query to determine the actual number of acquired points.

You can set the points value to AUTO, which allows Infiniium to select the optimum memory depth and display update rate.

<points\_value>    An integer representing the memory depth.

The range of points available for a channel depends on the oscilloscope settings of Sampling Mode, Sampling Rate, and Trigger Mode.

## Acquire Commands POINTS

### Maximum Sampling Rate for the 54833A/D Models

The maximum sampling rate of the oscilloscope depends on the channels that you are using. If you are using only one channel of channels 1 and 2 and only one channel of channels 3 and 4 then the oscilloscope is at a maximum sampling rate of 4 GSa/s. This mode is called Half Channel Mode. Otherwise, the oscilloscope has a maximum sampling rate of 2 GSa/s. This mode is called Full Channel Mode. The following tables show the range of point values for the different oscilloscope modes and model numbers.

**Table 8-1**

**54833A/D Points Value Ranges for Auto and Triggered Sweep Trigger Modes**

Memory Option	Maximum Real Time Sampling Mode			
	Normal	Peak Detect	High Resolution	Averaging
<b>Standard</b>				
Half Channel Mode	16 to 512500	16 to 512500	16 to 512500	16 to 512500
Full Channel Mode	16 to 256250	16 to 256250	16 to 256250	16 to 256250
<b>040 Option</b>				
Half Channel Mode	16 to 4100000	16 to 4100000	16 to 4100000	16 to 2097152
Full Channel Mode	16 to 2050000	16 to 2050000	16 to 2050000	16 to 1048576
<b>080 Option</b>				
Half Channel Mode	16 to 8200000	16 to 8200000	16 to 8200000	16 to 2097152
Full Channel Mode	16 to 4100000	16 to 4100000	16 to 4100000	16 to 1048576
<b>160 Option</b>				
Half Channel Mode	16 to 16400000	16 to 16400000	16 to 16400000	2097152
Full Channel Mode	16 to 8200000	16 to 8200000	16 to 8200000	1048576
<b>320 Option</b>				
Half Channel Mode	16 to 32800000	16 to 32800000	16 to 32800000	2097152
Full Channel Mode	16 to 16400000	16 to 16400000	16 to 16400000	1048576
<b>640 Option</b>				
Half Channel Mode	16 to 65600000	16 to 65600000	16 to 65600000	2097152
Full Channel Mode	16 to 32800000	16 to 32800000	16 to 32800000	1048576

Table 8-2

54833A/D Models Points Value Ranges for Single Sweep Trigger Modes

Memory Option	Normal	Maximum Real Time Sampling Mode		
		Peak Detect	High Resolution	Averaging
<b>Standard</b>				
Half Channel Mode	16 to 1025000	16 to 1025000	16 to 1025000	16 to 512500
Full Channel Mode	16 to 512500	16 to 512500	16 to 512500	16 to 256250
<b>040 Option</b>				
Half Channel Mode	16 to 8200000	16 to 8200000	16 to 8200000	16 to 2097152
Full Channel Mode	16 to 4100000	16 to 4100000	16 to 4100000	16 to 1048576
<b>080 Option</b>				
Half Channel Mode	16 to 16400000	16 to 16400000	16 to 16400000	16 to 2097152
Full Channel Mode	16 to 8200000	16 to 8200000	16 to 8200000	16 to 1048576
<b>160 Option</b>				
Half Channel Mode	16 to 32800000	16 to 32800000	16 to 32800000	2097152
Full Channel Mode	16 to 16400000	16 to 16400000	16 to 16400000	1048576
<b>320 Option</b>				
Half Channel Mode	16 to 65600000	16 to 65600000	16 to 65600000	2097152
Full Channel Mode	16 to 32800000	16 to 32800000	16 to 32800000	1048576
<b>640 Option</b>				
Half Channel Mode	16 to 131200000	16 to 131200000	16 to 131200000	2097152
Full Channel Mode	16 to 65600000	16 to 65600000	16 to 65600000	1048576

**Acquire Commands  
POINTS**

**Below Maximum  
Sampling Rate for  
54833A/D Models**

Sampling rates of less than 2 GSa/s for Full Channel Mode and less than 4 GSa/s in Half Channel Mode have point values that are shown in the following tables.

**Table 8-3**

**54833A/D Models Points Value Ranges for Auto and Triggered Sweep Trigger Modes**

Memory Option	Below Maximum Real Time Sampling Mode			
	Normal	Peak Detect	High Resolution	Averaging
<b>Standard</b>				
Half Channel Mode	16 to 512500	16 to 64062	16 to 256250	512500
Full Channel Mode	16 to 256500	16 to 64062	16 to 128125	256250
<b>040 Option</b>				
Half Channel Mode	16 to 4100000	16 to 512500	16 to 2050000	2097152
Full Channel Mode	16 to 2050000	16 to 512500	16 to 1025000	1048576
<b>080 Option</b>				
Half Channel Mode	16 to 8200000	16 to 1025000	16 to 4100000	2097152
Full Channel Mode	16 to 4100000	16 to 1025000	16 to 2050000	1048576
<b>160 Option</b>				
Half Channel Mode	16 to 16400000	16 to 2050000	16 to 8200000	2097152
Full Channel Mode	16 to 8200000	16 to 2050000	16 to 4100000	1048576
<b>320 Option</b>				
Half Channel Mode	16 to 32800000	16 to 4100000	16 to 16400000	2097152
Full Channel Mode	16 to 16400000	16 to 4100000	16 to 8200000	1048576
<b>640 Option</b>				
Half Channel Mode	16 to 65600000	16 to 8200000	16 to 32800000	2097152
Full Channel Mode	16 to 32800000	16 to 8200000	16 to 16400000	1048576

Table 8-4

54833A/D Models Points Value Ranges for Single Sweep Trigger Mode

Memory Option	Below Maximum Real Time Sampling Mode			
	Normal	Peak Detect	High Resolution	Averaging
<b>Standard</b>				
Half Channel Mode	16 to 1025000	16 to 256250	16 to 512500	512500
Full Channel Mode	16 to 1025000	16 to 256250	16 to 512500	256250
<b>040 Option</b>				
Half Channel Mode	16 to 4100000	16 to 1025000	16 to 2050000	2097152
Full Channel Mode	16 to 4100000	16 to 1025000	16 to 2050000	1048576
<b>080 Option</b>				
Half Channel Mode	16 to 8200000	16 to 2050000	16 to 4100000	2097152
Full Channel Mode	16 to 8200000	16 to 2050000	16 to 4100000	1048576
<b>160 Option</b>				
Half Channel Mode	16 to 16400000	16 to 4100000	16 to 8200000	2097152
Full Channel Mode	16 to 16400000	16 to 4100000	16 to 8200000	1048576
<b>320 Option</b>				
Half Channel Mode	16 to 32800000	16 to 8200000	16 to 16400000	2097152
Full Channel Mode	16 to 32800000	16 to 8200000	16 to 16400000	1048576
<b>640 Option</b>				
Half Channel Mode	16 to 65600000	16 to 16400000	16 to 32800000	2097152
Full Channel Mode	16 to 65600000	16 to 16400000	16 to 32800000	1048576

**Acquire Commands  
POINTS**

**Maximum Sampling  
Rate for all other  
Models**

The following tables show the points range for all other models of Infiniium oscilloscopes.

**Table 8-5**

**All Other Models Points Value Ranges for Auto and Triggered Sweep Trigger Modes**

Memory Option	Maximum Real Time Sampling Mode			
	Normal	Peak Detect	High Resolution	Averaging
<b>Standard</b>				
Half Channel Mode	16 to 512500	16 to 512500	16 to 512500	16 to 512500
Full Channel Mode	16 to 256250	16 to 256250	16 to 256250	16 to 256250
<b>040 Option</b>				
Half Channel Mode	16 to 4100000	16 to 4100000	16 to 4100000	2097152
Full Channel Mode	16 to 2050000	16 to 2050000	16 to 2050000	1048576
<b>080 Option</b>				
Half Channel Mode	16 to 8200000	16 to 8200000	16 to 8200000	2097152
Full Channel Mode	16 to 4100000	16 to 4100000	16 to 4100000	1048576
<b>160 Option</b>				
Half Channel Mode	16 to 16400000	16 to 16400000	16 to 16400000	2097152
Full Channel Mode	16 to 8200000	16 to 8200000	16 to 8200000	1048576
<b>320 Option</b>				
Half Channel Mode	16 to 32800000	16 to 32800000	16 to 32800000	2097152
Full Channel Mode	16 to 16400000	16 to 16400000	16 to 16400000	1048576
<b>640 Option</b>				
Half Channel Mode	16 to 65600000	16 to 65600000	16 to 65600000	2097152
Full Channel Mode	16 to 32800000	16 to 32800000	16 to 32800000	1048576



Table 8-6

All Other Models Points Value Ranges for Single Sweep Trigger Modes

Memory Option	Maximum Real Time Sampling Mode			
	Normal	Peak Detect	High Resolution	Averaging
<b>Standard</b>				
Half Channel Mode	16 to 1025000	16 to 1025000	16 to 1025000	16 to 512500
Full Channel Mode	16 to 512500	16 to 512500	16 to 512500	16 to 256250
<b>040 Option</b>				
Half Channel Mode	16 to 8200000	16 to 8200000	16 to 8200000	2097152
Full Channel Mode	16 to 4100000	16 to 4100000	16 to 4100000	1048576
<b>080 Option</b>				
Half Channel Mode	16 to 16400000	16 to 16400000	16 to 16400000	2097152
Full Channel Mode	16 to 8200000	16 to 8200000	16 to 8200000	1048576
<b>160 Option</b>				
Half Channel Mode	16 to 32800000	16 to 32800000	16 to 32800000	2097152
Full Channel Mode	16 to 16400000	16 to 16400000	16 to 16400000	1048576
<b>320 Option</b>				
Half Channel Mode	16 to 65600000	16 to 65600000	16 to 65600000	2097152
Full Channel Mode	16 to 32800000	16 to 32800000	16 to 32800000	1048576
<b>640 Option</b>				
Half Channel Mode	16 to 131200000	16 to 131200000	16 to 131200000	2097152
Full Channel Mode	16 to 65600000	16 to 65600000	16 to 65600000	1048576

**Acquire Commands**  
**POINTS**

**Below Maximum Sampling Rate for All Other Models**

Sampling rates of less than 2 GSa/s for Full Channel Mode and less than 4 GSa/s in Half Channel Mode have point values that are shown in the following tables.

**Table 8-7**

**All Other Models Points Value Ranges for Auto and Triggered Sweep Trigger Modes**

Memory Option	Below Maximum Real Time Sampling Mode			
	Normal	Peak Detect	High Resolution	Averaging
<b>Standard</b>				
Half Channel Mode	16 to 512500	16 to 64062	16 to 256250	512500
Full Channel Mode	16 to 256500	16 to 64062	16 to 128125	256250
<b>040 Option</b>				
Half Channel Mode	16 to 4100000	16 to 512500	16 to 2050000	2097152
Full Channel Mode	16 to 2050000	16 to 512500	16 to 1025000	1048576
<b>080 Option</b>				
Half Channel Mode	16 to 8200000	16 to 1025000	16 to 4100000	2097152
Full Channel Mode	16 to 4100000	16 to 1025000	16 to 2050000	1048576
<b>160 Option</b>				
Half Channel Mode	16 to 16400000	16 to 2050000	16 to 8200000	2097152
Full Channel Mode	16 to 8200000	16 to 2050000	16 to 4100000	1048576
<b>320 Option</b>				
Half Channel Mode	16 to 32800000	16 to 4100000	16 to 16400000	2097152
Full Channel Mode	16 to 16400000	16 to 4100000	16 to 8200000	1048576
<b>640 Option</b>				
Half Channel Mode	16 to 65600000	16 to 8200000	16 to 32800000	2097152
Full Channel Mode	16 to 32800000	16 to 8200000	16 to 16400000	1048576

Table 8-8

**All Other Models Points Value Ranges for Single Sweep Trigger Mode**

Memory Option	Below Maximum Real Time Sampling Mode			
	Normal	Peak Detect	High Resolution	Averaging
<b>Standard</b>				
Half Channel Mode	16 to 1025000	16 to 256250	16 to 512500	512500
Full Channel Mode	16 to 1025000	16 to 256250	16 to 512500	256250
<b>040 Option</b>				
Half Channel Mode	16 to 4100000	16 to 1025000	16 to 2050000	2097152
Full Channel Mode	16 to 4100000	16 to 1025000	16 to 2050000	1048576
<b>080 Option</b>				
Half Channel Mode	16 to 8200000	16 to 2050000	16 to 4100000	2097152
Full Channel Mode	16 to 8200000	16 to 2050000	16 to 4100000	1048576
<b>160 Option</b>				
Half Channel Mode	16 to 16400000	16 to 4100000	16 to 8200000	2097152
Full Channel Mode	16 to 16400000	16 to 4100000	16 to 8200000	1048576
<b>320 Option</b>				
Half Channel Mode	16 to 32800000	16 to 8200000	16 to 16400000	2097152
Full Channel Mode	16 to 32800000	16 to 8200000	16 to 16400000	1048576
<b>640 Option</b>				
Half Channel Mode	16 to 65600000	16 to 16400000	16 to 32800000	2097152
Full Channel Mode	16 to 65600000	16 to 16400000	16 to 32800000	1048576

**Equivalent Time Sampling Mode for All Models**

Equivalent Time Sampling mode takes the oscilloscope out of half channel mode and the memory depth range is 16 points to 32768 points.

**Interaction between :ACquire:SRATe and :ACquire:POINTs**

If you assign a sample rate value with :ACquire:SRATe or a points value using :ACquire:POINTs the following interactions will occur. "Manual" means you are setting a non-AUTO value for SRATe or POINTs.

SRATe	POINTs	Result
AUTO	Manual	POINTs value takes precedence (sample rate is limited)
Manual	AUTO	SRATe value takes precedence (memory depth is limited)
Manual	Manual	SRATe value takes precedence (memory depth is limited)

**Example**

This example sets the memory depth to 500 points.

```
10 OUTPUT 707; ":ACQUIRE:POINTS 500"
20 END
```

## Acquire Commands

### POINTS

**Query** :ACquire:POINTs?

The :ACquire:POINTs? query returns the value of the memory depth control.

**Returned Format** [:ACquire:POINTs] <points\_value><NL>

---

#### Example

This example checks the current setting for memory depth and places the result in the variable, Length. Then the program prints the contents of the variable to the computer's screen.

```
10 OUTPUT 707;":SYSTEM:HEADER OFF"  
20 OUTPUT 707;":ACQUIRE:POINTS?"  
30 ENTER 707;Length  
40 PRINT Length  
50 END
```

---

**See Also** :WAVEform:DATA?

---

## POINTS:AUTO

**Command**                   :ACQUIRE:POINTS:AUTO {{ON | 1} | {OFF | 0}}

The :ACQUIRE:POINTS:AUTO command enables (automatic) or disables (manual) the automatic memory depth selection control. When enabled, Infiniium chooses a memory depth that optimizes the amount of waveform data and the display update rate. When disabled, you can select the amount of memory using the :ACQUIRE:POINTS command.

---

**Example**                   This example sets the automatic memory depth control to off.

```
10 OUTPUT 707; ":ACQUIRE:POINTS:AUTO OFF"
20 END
```

---

**Query**                     :ACQUIRE:POINTS:AUTO?

The :ACQUIRE:POINTS:AUTO? query returns the automatic memory depth control state.

**Returned Format**       [:ACQUIRE:POINTS:AUTO] {1 | 0}<NL>

---

**Example**                   This example checks the current setting for automatic memory depth control and places the result in the variable, State. Then the program prints the contents of the variable to the computer's screen.

```
10 OUTPUT 707; ":SYSTEM:HEADER OFF"
20 OUTPUT 707; ":ACQUIRE:POINTS:AUTO?"
30 ENTER 707;State
40 PRINT State
50 END
```

---

**See Also**                 :WAVEform:DATA?

---

## SEGmented:COUNT

**Command**                   :ACquire:SEGmented:COUNT <#segments>

The :ACquire:SEGmented:COUNT command sets the number of segments to acquire in the segmented memory mode.

<#segments> An integer representing the number of segments to acquire.

---

**Example**                   This example sets the segmented memory count control to 1000.

```
10  OUTPUT 707; ":ACQUIRE:SEGmented:COUNT 1000"
20  END
```

---

**Query**                     :ACquire:SEGmented:COUNT?

The :ACquire:SEGmented:COUNT? query returns the number of segments control value.

**Returned Format**       [:ACquire:SEGmented:COUNT] <#segments><NL>

---

**Example**                   This example checks the current setting for segmented memory count control and places the result in the variable, Segments. Then the program prints the contents of the variable to the computer's screen.

```
10  OUTPUT 707; ":SYSTEM:HEADER OFF"
20  OUTPUT 707; ":ACQUIRE:SEGments:COUNT?"
30  ENTER 707; Segments
40  PRINT Segments
50  END
```

---

---

## SEGmented:INDEX

**Command**                   :ACQUIRE:SEGmented:INDEX <index#>

The :ACQUIRE:SEGmented:INDEX command sets the index number for the segment that you want to display on screen in the segmented memory mode. If an index value larger than the total number of acquired segments is sent, an error occurs indicating that the data is out of range and the segment index is set to the maximum segment number.

<index#> An integer representing the index number of the segment that you want to display.

---

**Example**                   This example sets the segmented memory index number control to 1000.

```
10  OUTPUT 707; ":ACQUIRE:SEGmented:INDEX 1000"
20  END
```

---

**Query**                     :ACQUIRE:SEGmented:INDEX?

The :ACQUIRE:SEGmented:INDEX? query returns the segmented memory index number control value.

**Returned Format**       [:ACQUIRE:SEGmented:INDEX] <index#><NL>

---

**Example**                   This example checks the current setting for segmented memory index number control and places the result in the variable, Index. Then the program prints the contents of the variable to the computer's screen.

```
10  OUTPUT 707; ":SYSTEM:HEADER OFF"
20  OUTPUT 707; ":ACQUIRE:SEGments:INDEX?"
30  ENTER 707; Index
40  PRINT Index
50  END
```

---

---

## SEGmented:TTAGs

**Command**                   :ACQuire:SEGmented:TTAGs {{ON | 1} | {OFF | 0}}

The :ACQuire:SEGmented:TTAGs command turns the time tags feature on or off for the segmented memory sampling mode.

---

**Example**                    This example turns the time tags on for segmented memory.

```
10 OUTPUT 707; ":ACQUIRE:SEGmented:TTAGs ON"
20 END
```

---

**Query**                     :ACQuire:SEGmented:TTAGs?

The :ACQuire:SEGmented:TTAGs? query returns the segmented memory time tags control value.

**Returned Format**       [:ACQuire:SEGmented:TTAGs] {1 | 0}<NL>

---

**Example**                    This example checks the current setting for segmented memory time tags control and places the result in the variable, timetags. Then the program prints the contents of the variable to the computer's screen.

```
10 OUTPUT 707; ":SYSTEM:HEADER OFF"
20 OUTPUT 707; ":ACQUIRE:SEGments:TTAGs?"
30 ENTER 707;timetags
40 PRINT timetags
50 END
```



## SRATE (Sample RATE)

**Command** :ACQUIRE:SRATE {AUTO | MAX | <rate>}

The :ACQUIRE:SRATE command sets the acquisition sampling rate for real time and peak detect sampling modes. If the oscilloscope is in the equivalent time sampling mode, the SRATE command has no effect on the sampling rate. However, if you change the sampling mode to one of the real time sampling modes the control will show the new value.

**AUTO** The AUTO rate allows the oscilloscope to select a sample rate that best accommodates the selected memory depth and sweep speed.

**MAX** The MAX rate enables the oscilloscope to select maximum available sample rate.

**<rate>** A real number representing the sample rate. You can send any value, but the value is rounded to the next fastest sample rate.

### Interaction between :ACQUIRE:SRATE and :ACQUIRE:POINTS

If you assign a sample rate value with :ACQUIRE:SRATE or a points value using :ACQUIRE:POINTS the following interactions will occur. “Manual” means you are setting a non-AUTO value for SRATE or POINTS.

SRATE	POINTS	Result
<b>AUTO</b>	<b>Manual</b>	<b>POINTS value takes precedence (sample rate is limited)</b>
<b>Manual</b>	<b>AUTO</b>	<b>SRATE value takes precedence (memory depth is limited)</b>
<b>Manual</b>	<b>Manual</b>	<b>SRATE value takes precedence (memory depth is limited)</b>

**Table 8-9**

### Available Sample Rate Values (in Sa/s)

0.5	1	2	2.5	4	5	10	20	25	40	50	100	200	250	400
500	1k	2k	2.5k	4k	5k	10k	20k	25k	40k	50k	100k	200k	250k	400k
500k	1M	2M	2.5M	4M	5M	10M	20M	25M	40M	50M	100M	125M	200M	250M
500M	1G	2G	4G											

### Example

This example sets the sample rate to 250 MSa/s.

```
10 OUTPUT 707; ":ACQUIRE:SRATE 250E+6"
20 END
```

## Acquire Commands

### SRATe (Sample RATE)

**Query**                   :ACQuire:SRATe?

The :ACQuire:SRATe? query returns the current acquisition sample rate.

**Returned Format**       [:ACQuire:SRATe] {AUTO | <rate>}<NL>

---

**Example**                This example places the current sample rate in the string variable, Sample\$, then prints the contents of the variable to the computer's screen.

```
10 DIM Sample$[50]!Dimension variable
20 OUTPUT 707;" :ACQUIRE:SRATE?"
30 ENTER 707;Sample$
40 PRINT Sample$
50 END
```

---

---

## SRATE:AUTO

**Command**                   :ACQuire:SRATe:AUTO {{ON | 1} | {OFF | 0}}

The :ACQuire:SRATe:AUTO command enables or disables the automatic sampling rate selection control for real time and peak detect sampling modes. If the oscilloscope is in the equivalent time sampling mode, the AUTO command has no effect. However, if you change the sampling mode to real time or peak detect sampling the control will show the new value.

---

**Example**                   This example changes the sampling rate to manual.

```
10 OUTPUT 707; ":ACQUIRE:SRATE:AUTO OFF"
20 END
```

---

**Query**                    :ACQuire:SRATe:AUTO?

The :ACQuire:SRATe:AUTO? query returns the current acquisition sample rate.

**Returned Format**       [:ACQuire:SRATe:AUTO] {1 | 0}<NL>

---

**Example**                   This example places the current sample rate in the variable, Sample, then prints the contents of the variable to the computer's screen.

```
10 OUTPUT 707; ":SYSTEM:HEADER OFF"
20 OUTPUT 707; ":ACQUIRE:SRATE:AUTO?"
30 ENTER 707; Sample
40 PRINT Sample
50 END
```

---

**Acquire Commands**

**SRATe:AUTO**



---

# Bus Commands

**The BUS commands only apply to the MSO Oscilloscopes.**

The :BUS modes and commands described in this chapter include:

- B1:TYPE
- BIT<M>
- BITS
- CLear
- CLOCK
- DISPlay
- LABel
- READout

---

## B1:TYPE

**Command**            :BUS:B1:TYPE <protocol>

**This BUS command only applies to oscilloscopes with the serial data analysis option installed.**

The :BUS:B1:TYPE command sets the type of protocol being analyzed.

<protocol> {CAN | DVI | FIBRechannel | FLEXray | GEN8B10B | GENeric | IIC | INFiniband | MOST | PCIexpress | SAS | SATA | SPI | XAUI | MIPI}

---

**Example**            This example sets the protocol type to FLEXray.

```
10 Output 707; "BUS:B1:TYPE FLEXRAY"  
20 END
```

---

**Query**                :BUS:B1:TYPE?

The :BUS:B1:TYPE? query returns the name of the protocol being used.

**Return format**       [:BUS:B1:TYPE] <protocol><NL>

---

**BIT<M>****Command**                   :BUS<N>:BIT<M> {ON | OFF | 1 | 0}

<b>The BUS commands only apply to the MSO Oscilloscopes.</b>
--

The :BUS<N>:BIT<M> command includes or excludes the selected bit as part of the definition for the selected bus. If the parameter is a 1 (ON) then the bit is included in the definition. If the parameter is a 0 (OFF) then the bit is excluded from the definition. The digital subsystem must be enabled for this command will work. See ENABLE command in the root subsystem.

<M> An integer, 0-15.

<N> An integer, 1-4.

---

**Example**                   This example includes bit 1 as part of the bus 1 definition.

```
10 Output 707;"ENABLE DIGITAL"  
20 Output 707;"BUS1:BIT1 ON"  
30 END
```

---

**Query**                    :BUS<N>:BIT<M>?

The :BUS<N>:BIT<M>? query returns the value indicating whether the specified bit is included or excluded from the specified bus definition.

**Return format**           [:BUS<N>:BIT<M>] {1 | 0}<NL>



---

## BITS

**Command**                    :BUS<N>:BITS <channel\_list>,{ON | OFF | 1 | 0}

**The BUS commands only apply to the MSO Oscilloscopes.**

The :BUS<N>:BITS command includes or excludes the selected bits in the channel list in the definition of the selected bus. If the parameter is a 1 (ON) then the bits in the channel list are included as part of the selected bus definition. If the parameter is a 0 (OFF) then the bits in the channel list are excluded from the definition of the selected bus. The digital subsystem must be enabled for this command will work. See ENABLE command in the root subsystem.

<N> An integer, 1- 4.

<channel\_list> The channel range is from 0 to 15 in the following format.

**(@1,5,7,9)**            channels 1, 5, 7, and 9 are turned on.  
**(@1:15)**              channels 1 through 15 are turned on.  
**(@1:5,8,14)**        channels 1 through 5, channel 8, and channel 14 are turned on.

**The parentheses are part of the expression and are necessary.**

---

**Example**

This example includes bits 1, 2, 4, 5, 6, 7, 8, and 9 as part of the bus 1 definition.

```
10 Output 707;"ENABLE DIGITAL"
20 Output 707;"BUS1:BITS (@1,2,4:9),ON"
30 END
```

---

**Query**

:BUS<N>:BITS?

The :BUS<N>:BITS? query returns the definition for the specified bus.

**Return format**

[ :BUS<N>:BITS] <channel\_list>,{1 | 0}<NL>

---

## CLEAr

**Command**            BUS<N> :CLEAr

**The BUS commands only apply to the MSO Oscilloscopes.**

The :BUS<N>:CLEAr command excludes all of the digital channels from the selected bus definition.

<N> An integer, 1-4.

---

**Example**            This example excludes all the digital channels from the bus 1 definition.

```
10 Output 707;"BUS1:CLEAr"  
20 END
```

---

---

## CLOCK

**Command**                    :BUS<N>:CLOCK {CHANnel<O> | DIGital<M> | NONE}

**The BUS commands only apply to the MSO Oscilloscopes.**

The :BUS<N>:CLOCK command sets the digital or analog channel used as the clock for decoding the bus values.

<M> An integer, 0-15.

<N> An integer, 1-4.

<O> An integer, 1-4.

---

**Example**                    This example sets the clock to channel 1 for bus 1.

```
10 Output 707;"ENABLE DIGITAL"
20 Output 707;"BUS1:CLOCK CHANNEL1"
30 END
```

---

**Query**                    :BUS<N>:CLOCK?

The :BUS<N>:CLOCK query returns the channel being used for the specified bus.

**Return format**            [:BUS<N>:CLOCK] {CHANnel<O> | DIGital<M> | NONE}<NL>

---

## CLOCK:SLOPe

**Command**            :BUS<N>:SLOPe {RISing | FALLing | EITHer}

**The BUS commands only apply to the MSO Oscilloscopes.**

The :BUS<N>:CLOCK:SLOPe command sets the clock edge used for decoding the bus values.

<O> An integer, 1-4.

---

**Example**            This example sets the clock edge to falling for bus 1.

```
10 Output 707;"ENABLE DIGITAL"  
20 Output 707;"BUS1:CLOCK:SLOPE FALLING"  
30 END
```

---

**Query**              :BUS<N>:CLOCK:SLOPe?

The :BUS<N>:CLOCK:SLOPe query returns the clock edge being used for the specified bus.

**Return format**    [:BUS<N>:CLOCK] {RISing | FALLing | EITHer}<NL>

---

## DISPlay

**Command**                    :BUS<N>[:DISPlay] {ON | OFF | 1 | 0}

**The BUS commands only apply to the MSO Oscilloscopes.**

The :BUS<N>:DISPlay command enables or disables the view of the selected bus. The digital subsystem must be enabled before this command will work. See the ENABLE command in the root subsystem.

<N> An integer, 1- 4.

---

**Example**                    This example enables the viewing of bus 1.

```
10 Output 707;:ENABLE DIGITAL"  
20 Output 707;"BUS1 ON"  
30 END
```

---

**Query**                    :BUS<N>[:DISPlay] ?

The :BUS<N>[:DISPlay]? query returns the display value of the selected bus.

**Returned Format**        [:BUS<N>] {1 | 0}<NL>

---

## LABel

**Command**           :BUS<N>:LABel <quoted\_string>

**The BUS commands only apply to the MSO Oscilloscopes.**

The :BUS<N>:LABel command sets the bus label to the quoted string. Setting a label for a bus will also result in the name being added to the label list.

**Label strings are 16 characters or less, and may contain any commonly used ASCII characters. Labels with more than 16 characters are truncated to 16 characters.**

<N> An integer, 1- 4.

<quoted\_string> A series of 6 or less characters as a quoted ASCII string.

---

**Example**

This example sets the bus 1 label to Data.

```
10 Output 707;"BUS1:LABEL ""Data""  
20 END
```

---

**Query**

:BUS<N>:LABel?

The :BUS<N>:LABel? query returns the name of the specified bus.

**Return format**

[ :BUS<N>:LABel ] <quoted\_string><NL>

---

## READout

**Command**            :BUS<N>:READout {HEX | DECimal | SYMBol

**The BUS commands only apply to the MSO Oscilloscopes.**

The :BUS<N>:READout command changes the format of the numbers displayed in the bus waveform.

<N> An integer, 1-4.

---

**Example**            This example sets the bus read out to decimal.

```
10 Output 707;"BUS1:READOUT DECIMAL
20 END
```

---

**Query**              :BUS<N>:READout?

The :BUS<N>:READout? query returns the format of the readout control.

**Return format**      [:BUS<N>:READout] {HEX | DECimal | SYMBol}<NL>

**Bus Commands**

**READout**





---

# Calibration Commands

This chapter briefly explains the calibration of the oscilloscope. It is intended to give you and the calibration lab personnel an understanding of the calibration procedure and how the calibration subsystem is intended to be used.

---

## Oscilloscope Calibration

Oscilloscope calibration establishes calibration factors for the oscilloscope. These factors are stored on the oscilloscope's hard disk.

- **Initiate the calibration from the “Utilities Calibration” menu.**

You should calibrate the oscilloscope periodically (at least annually), or if the ambient temperature since the last calibration has changed more than  $\pm 10$  °C. The temperature change since the last calibration is shown on the calibration status screen which is found under the “Utilities Calibration” dialog. It is the line labeled “Calibration  $\Delta$  Temp: \_ °C.”

To perform the oscilloscope calibration, you need a BNC-to-BNC cable such as the 8120-1840 cable. When you initiate the calibration, instructions appear on the screen describing how to perform the calibration.

### See Also

The Oscilloscope’s Service Guide has more details about the calibration.

## Probe Calibration

Probe calibration establishes the gain and offset of a probe that is connected to a channel of the oscilloscope, and applies these factors to the calibration of that channel.

- **Initiate probe calibration from the “Utilities Calibration” menu.**  
To achieve the specified accuracy ( $\pm 2\%$ ) with a probe connected to a channel, make sure the oscilloscope is calibrated.
  - For active probes that the oscilloscope can identify through the probe power connector, like the 1158A, the oscilloscope automatically adjusts the vertical scale factors for that channel even if a probe calibration is not performed.
  - For passive probes or nonidentified probes, the oscilloscope adjusts the vertical scale factors only if a probe calibration is performed.
- **If you do not perform a probe calibration but want to use a passive probe, enter the attenuation factor in the Probe Cal dialog under the Channel dialog.**
  - If the probe being calibrated has an attenuation factor that allows the oscilloscope to adjust the gain (in hardware) to produce even steps in the vertical scale factors, the oscilloscope will do so.
  - If the probe being calibrated has an unusual attenuation, like 3.75, the oscilloscope may have to adjust the vertical scale factors to an unusual number, like 3.75 V/div.

Typically, probes have standard attenuation factors such as divide by 10, divide by 20, or divide by 100.

---

## Calibration Commands

The commands in the CALibration subsystem allow you to change the output of the front-panel Aux Out connector, adjust the skew of the channels, and check the status of the calibration. These CALibration commands and queries are implemented in the Infiniium Oscilloscopes:

- OUTPut
- SKEW
- STATus?

---

## OUTPut

**Command**           :CALibrate:OUTPut {{AC|TRIGOUT} | {DC,<dc\_value>}}

The :CALibrate:OUTPut command sets the coupling frequency, trigger output pulse, and dc level of the calibrator waveform output through the front-panel Aux Out connector. To trigger other instruments, use the TRIGOUT setting to cause the oscilloscope to send a pulse when the trigger event occurs.

<dc\_value> A real number for the DC level value in volts, adjustable from -2.4 V to +2.4 VDC.

---

**Example**           This example puts a DC voltage of 2.0 volts on the oscilloscope front-panel Aux Out connector.

```
10  OUTPUT 707;":CALIBRATE:OUTPUT DC,2.0"
20  END
```

---

**Query**             :CALibrate:OUTPut?

The :CALibrate:OUTPut? query returns the current setup.

**Returned Format**   [:CALibrate:OUTPut] {{AC|TRIGOUT} | {DC,<dc\_value>}}

---

**Example**           This example places the current selection for the DC calibration to be printed in the string variable, Selection\$, then prints the contents of the variable to the computer's screen.

```
10  DIM Selection$[50]!Dimension variable
20  OUTPUT 707;":CALIBRATE:OUTPUT?"
30  ENTER 707;Selection$
40  PRINT Selection$
50  END
```

---

---

## SKEW

**Command**           :CALibrate:SKEW {CHANnel<N> | EXTernal}, <skew\_value>

The :CALibrate:SKEW command sets the channel-to-channel skew factor for a channel. The numeric argument is a real number in seconds, which is added to the current time base position to shift the position of the channel's data in time. Use this command to compensate for differences in the electrical lengths of input paths due to cabling and probes.

<N> An integer, 1 - 2, for two channel oscilloscopes Infiniium Oscilloscope models. An integer, 1 - 4, for all other Infiniium Oscilloscope models.

<skew\_value> A real number, in seconds.

---

**Example**

This example sets the oscilloscope channel 1 skew to 0.1 s.

```
10 OUTPUT 707; ":CALIBRATE:SKEW CHANNEL1,0.1"
20 END
```

---

**Query**

:CALibrate:SKEW? {CHANnel<N> | EXTernal}

The :CALibrate:SKEW? query returns the current skew value.

**Returned Format**

[ :CALibrate:SKEW] <skew\_value><NL>

---

## STATUS?

**Query**                   :CALibrate:STATus?

The :CALibrate:STATus? query returns the calibration status of the oscilloscope. These are ten, comma-separated integers, with 1, 0, or -1. A "1" indicates pass, a "0" indicates fail and a "-1" indicates unused. This matches the status in the Calibration dialog box in the Utilities menu.

**Returned Format**       [:CALibrate:STATus] <status>

<status> <Frame Status>,  
<Channel1 Vertical>, <Channel1 Trigger>,  
<Channel2 Vertical>, <Channel2 Trigger>,  
<Channel3 Vertical>, <Channel3 Trigger>, (-1 for two channel oscilloscopes)  
<Channel4 Vertical>, <Channel4 Trigger>, (-1 for two channel oscilloscopes)  
<Aux Trigger> (<Ext Trigger> for two channel oscilloscopes)





---

# Channel Commands

The CHANnel subsystem commands control all vertical (Y axis) functions of the oscilloscope. You may toggle the channel displays on and off with the root level commands :VIEW and :BLANK, or with :CHANnel:DISPlay.

These CHANnel commands and queries are implemented:

- BWLimit
- DISPlay
- INPut
- OFFSet
- PROBe
- PROBe:ATTenuation (only for the 1154A probe)
- PROBe:EADapter (only for the 1153A, 1154A, and 1159A probes)
- PROBe:ECoupling (only for the 1153A, 1154A, and 1159A probes)
- PROBe:EXTernal
- PROBe:EXTernal:GAIN
- PROBe:EXTernal:OFFSet
- PROBe:EXTernal:UNITs
- PROBe:GAIN (only for the 1154A probe)
- PROBe:HEAD:ADD
- PROBe:HEAD:DELeTe
- PROBe:HEAD:SELeCt
- PROBe:ID?
- PROBe:SKew
- PROBe:STYPe (only for 113xA series, 1168A, and 1169A probes)
- RANGe
- SCALe
- UNITs

---

## BWLimit

**Command**                   :CHANnel<N>:BWLimit {{ON|1} | {OFF|0}}

The :CHANnel<N>:BWLimit command controls the low-pass filter. When ON, the bandwidth of the specified channel is limited. The bandwidth limit filter can be used with either AC or DC coupling.

<N> An integer, 1 - 2, for two channel Infiniium Oscilloscope.  
An integer, 1 - 4, for all other Infiniium Oscilloscope models.

---

**Example**                   This example sets the internal low-pass filter to "ON" for channel 1.

```
10 OUTPUT 707;" :CHANNEL1:BWLIMIT ON"
20 END
```

---

**Query**                     :CHANnel<N>:BWLimit?

The :CHANnel<N>:BWLimit? query returns the state of the low-pass filter for the specified channel.

**Returned Format**       [:CHANnel<N>:BWLimit] {1|0}<NL>

---

**Example**                   This example places the current setting of the low-pass filter in the variable Limit, then prints the contents of the variable to the computer's screen.

```
10 OUTPUT 707;"SYSTEM:HEADER OFF"
20 OUTPUT 707;" :CHANNEL1:BWLIMIT?"
30 ENTER 707;Limit
40 PRINT Limit
50 END
```

---

## DISPlay

**Command**                   :CHANnel<N>:DISPlay {{ON|1} | {OFF|0}}

The :CHANnel<N>:DISPlay command turns the display of the specified channel on or off.

<N> An integer, 1 - 2, for two channel Infiniium Oscilloscope.  
An integer, 1 - 4, for all other Infiniium Oscilloscope models.

---

**Example**                   This example sets channel 1 display to on.

```
10 OUTPUT 707;"CHANNEL1:DISPLAY ON"  
20 END
```

---

**Query**                    :CHANnel<N>:DISPlay?

The :CHANnel<N>:DISPlay? query returns the current display condition for the specified channel.

**Returned Format**       [:CHANnel<N>:DISPlay] {1|0}<NL>

---

**Example**                   This example places the current setting of the channel 1 display in the variable Display, then prints the contents of the variable to the computer's screen.

```
10 OUTPUT 707;"SYSTEM:HEADER OFF"  
20 OUTPUT 707;" :CHANNEL1:DISPLAY?"  
30 ENTER 707;Display  
40 PRINT Display  
50 END
```

---

---

## INPut

**Command**                   :CHANnel<N>:INPut <parameter>

The :CHANnel<N>:INPut command selects the input coupling, impedance, and LF/HF reject for the specified channel. The coupling for each channel can be AC, DC, DC50, or DCFifty when no probe is attached. If you have an 1153A probe attached, the valid parameters are DC, LFR1, and LFR2 (low-frequency reject).

<N> An integer, 1 - 2, for two channel Infiniium Oscilloscope.  
An integer, 1 - 4, for all other Infiniium Oscilloscope models.

<parameter> The parameters available in this command for Infiniium are.

- DC: DC coupling, 1 M $\Omega$  input impedance
- DC50 | DCFifty: DC coupling, 50 $\Omega$  input impedance
- AC: AC 1 M $\Omega$  input impedance
- LFR1 | LFR2: AC 1 M $\Omega$  input impedance

---

**Example**                   This example sets the channel 1 input to DC50.

```
10 OUTPUT 707; " :CHANNEL1:INPut DC50 "
20 END
```

---

**Query**                    :CHANnel<N>:INPut?

The :CHANnel<N>:INPut? query returns the selected channel input parameter.

**Returned Format**       [CHANnel<N>:INPut ]<parameter><NL>

---

**Example**                   This example puts the current input for channel 1 in the string variable, Input\$. The program then prints the contents of the variable to the computer's screen.

```
10 OUTPUT 707; "SYSTEM:HEADER OFF"
20 OUTPUT 707; " :CHANNEL1:INPUT?"
30 ENTER 707; Input$
40 PRINT Input$
50 END
```

---

---

## OFFSet

**Command**           :CHANnel<N>:OFFSet <offset\_value>

The :CHANnel<N>:OFFSet command sets the voltage that is represented at the center of the display for the selected channel. Offset parameters are probe and vertical scale dependent.

<N> An integer, 1 - 2, for two channel Infiniium Oscilloscope.  
An integer, 1 - 4, for all other Infiniium Oscilloscope models.

<offset\_value> A real number for the offset value at center screen. Usually expressed in volts, but can be in other measurement units, such as amperes, if you have specified other units using the :CHANnel<N>:UNITs command.

---

**Example**           This example sets the offset for channel 1 to 0.125 in the current measurement units:

```
10 OUTPUT 707; ":CHANNEL1:OFFSET 125E-3"  
20 END
```

---

**Query**             :CHANnel<N>:OFFSet?

The :CHANnel<N>:OFFSet? query returns the current offset value for the specified channel.

**Returned Format**   [CHANnel<N>:OFFSet] <offset\_value><NL>

---

**Example**           This example places the offset value of the specified channel in the string variable, Offset\$, then prints the contents of the variable to the computer's screen.

```
10 OUTPUT 707; "SYSTEM:HEADER OFF"  
20 OUTPUT 707; "CHANNEL1:OFFSET?"  
30 ENTER 707; Offset  
40 PRINT Offset  
50 END
```

---

## PROBe

**Command**           :CHANnel<N>:PROBe <attenuation\_factor>[, {RATio | DECibel}]

The :CHANnel<N>:PROBe command sets the probe attenuation factor and, optionally, the units for the probe attenuation factor. The range of the probe attenuation factor is from 0.0001 to 1,000 and from –80 dB to 60 dB. The reference factors that are used for scaling the display are changed with this command, and affect automatic measurements and trigger levels.

The “,DEC” or “,RAT” also sets the “mode” for the probe attenuation. This mode also determines the units that may be used for a subsequent command. For example, if you select RATio mode, then the attenuation factor must be given in . In “DECibel” mode, you can specify the units for the argument as “dB”.

<N> An integer, 1-2, for two channel Infiniium Oscilloscope.  
An integer, 1-4, for all other Infiniium Oscilloscope models.

<attenuation\_factor> A real number from 0.0001 to 1,000 for the RATio attenuation units or from –80 dB to 60 dB for the DECibel attenuation units.

---

### Example

This example sets the probe attenuation factor for a 10:1 probe on channel 1 in ratio mode.

```
10 OUTPUT 707; ":CHANNEL1:PROBE 10,RAT"
20 END
```

## Channel Commands

### PROBe

**Query** `:CHANnel<N>:PROBe?`

The `:CHANnel<N>:PROBe?` query returns the current probe attenuation setting for the selected channel and the units.

**Returned Format** `[:CHANnel<N>:PROBe] <attenuation>,{RATio | DECibel}<NL>`

---

#### Example

This example places the current attenuation setting for channel 1 in the string variable, `Atten$`, then the program prints the contents.

```
10 DIM Atten$[50]!Dimension variable
20 OUTPUT 707;" :CHANNEL1:PROBE?
30 ENTER 707;Atten$
40 PRINT Atten$
50 END
```

If you use a string variable, the query returns the attenuation value and the factor (decibel or ratio). If you use an integer variable, the query returns the attenuation value. You must then read the attenuation units into a string variable.

---



---

## PROBe:ATTenuation

**Command** `:CHANnel<N>:PROBe:ATTenuation {DIV1 | DIV10}`

The `:CHANnel<N>:PROBe:ATTenuation` command sets the probe's attenuation. The 1154A probe has the ability to change the probe's input amplifier's attenuation.

This command is only available when an Infiniium 1154A probe is connected to a channel. If the 1154A probe is not connected to a channel you will get a settings conflict error.

<N> An integer, 1 - 2, for two channel Infiniium Oscilloscope.  
An integer, 1 - 4, for all other Infiniium Oscilloscope models.

---

**Example** This example sets the probe attenuation for channel 1 to divide by 10.

```
10 OUTPUT 707; ":CHANNEL1:PROBE:ATTENUATION DIV10"  
20 END
```

---

**Query** `:CHANnel<N>:PROBe:ATTenuation?`

The `:CHANnel<N>:PROBe:ATTenuation?` query returns the current probe attenuation setting for the selected channel.

**Returned Format** `[ :CHANnel<N>:PROBe:ATTenuation] {DIV1 | DIV10}<NL>`

---

## PROBe:EADapter

**Command**           :CHANnel<N>:PROBe:EADapter {NONE | DIV10 |  
DIV20 | DIV100}

The :CHANnel<N>:PROBe:EADapter command sets the Infiniium external adapter control. The 1153A, 1154A, and 1159A are probes that have external adapters that you can attach to the end of the probe. When you attach one of these adapters, you should use the EADapter command to set the external adapter control to match the adapter connected to your probe as follows.

Parameter	Description
<b>NONE</b>	<b>Use this setting when there is no adapter connected to the end of your probe.</b>
<b>DIV10</b>	<b>Use this setting when you have a divide by 10 adapter connected to the end of your probe.</b>
<b>DIV20</b>	<b>Use this setting when you have a divide by 20 adapter connected to the end of your probe. (1159A only)</b>
<b>DIV100</b>	<b>Use this setting when you have a divide by 100 adapter connected to the end of your probe. (1153A only)</b>

This command is only available when an 1153A, 1154A, or 1159A probe is connected to a channel. If one of these probes is not connected to the channel you will get a settings conflict error.

<N> An integer, 1 - 2, for two channel Infiniium Oscilloscope.  
An integer, 1 - 4, for all other Infiniium Oscilloscope models.

---

**Example**           This example sets the external adapter for channel 1 to divide by 10:

```
10  OUTPUT 707; ":CHANNEL1:PROBE:EADAPTER DIV10 "  
20  END
```

---

**Query** :CHANnel<N>:PROBE:EADapter?

The :CHANnel<N>:PROBE:EADapter? query returns the current external adapter value for the specified channel.

**Returned Format** [CHANnel<N>:PROBE:EADapter] {NONE | DIV10 | DIV20 | DIV100}<NL>

---

**Example** This example places the external adapter value of the specified channel in the string variable, Adapter\$, then prints the contents of the variable to the computer's screen.

```
10 DIM Adapter$[50]!Dimension variable
20 OUTPUT 707;":CHANNEL1:PROBE:EADAPTER?
30 ENTER 707;Adapter$
40 PRINT Adapter$
50 END
```

---

---

## PROBe:ECoupling

**Command** :CHANnel<N>:PROBe:ECoupling {NONE | AC}

The :CHANnel<N>:PROBe:ECoupling command sets the Infiniium external coupling adapter control. The 1153A, 1154A, and 1159A probes have external coupling adapters that you can attach to the end of the probe. When you attach one of these adapters, you should use the ECoupling command to set the external coupling adapter control to match the adapter connected to your probe as follows.

Parameter	Description
<b>NONE</b>	<b>Use this setting when there is no adapter connected to the end of your probe.</b>
<b>AC</b>	<b>Use this setting when you have an ac coupling adapter connected to the end of your probe.</b>

This command is only available when an 1153A, 1154A, or 1159A probe is connected to a channel. If one of these probes is not connected to the channel you will get a settings conflict error.

<N> An integer, 1 - 2, for two channel Infiniium Oscilloscope.  
An integer, 1 - 4, for all other Infiniium Oscilloscope models.

---

### Example

This example sets the external coupling adapter for channel 1 to ac:

```
10 OUTPUT 707; ":CHANNEL1:PROBE:ECOUPPING AC"  
20 END
```

**Query** :CHANnel<N>:PROBe:ECoupling?

The :CHANnel<N>:PROBe:ECoupling? query returns the current external adapter coupling value for the specified channel.

**Returned Format** [CHANnel<N>:PROBe:ECoupling] {NONE | AC}<NL>

---

**Example**

This example places the external coupling adapter value of the specified channel in the string variable, Adapter\$, then prints the contents of the variable to the computer's screen.

```
10 DIM Adapter$[50]!Dimension variable
20 OUTPUT 707;":CHANNEL1:PROBE:ECOUPLING?
30 ENTER 707;Adapter$
40 PRINT Adapter$
50 END
```

---

---

## PROBe:EXTeRnal

**rmmand**                   :CHANnel<N>:PROBe:EXTeRnal {{ON|1} | {OFF|0}}

The :CHANnel<N>:PROBe:EXTeRnal command sets the external probe mode to on or off.

<N> An integer, 1 - 4

---

**Example**                   This example sets channel 1 external probe mode to on.

```
10 OUTPUT 707;"CHANNEL1:PROBE:EXTERNAL ON"  
20 END
```

---

**Query**                   :CHANnel<N>:PROBe:EXTeRnal?

The :CHANnel<N>:PROBe:EXTeRnal? query returns the current external probe mode for the specified channel.

**Returned Format**       [:CHANnel<N>:PROBe:EXTeRnal] {1|0}<NL>

---

**Example**                   This example places the current setting of the external probe mode on channel 1 in the variable Mode, then prints the contents of the variable to the computer's screen.

```
10 OUTPUT 707;"SYSTEM:HEADER OFF"  
20 OUTPUT 707;" :CHANNEL1:PROBE:EXTERNAL?"  
30 ENTER 707;Mode  
40 PRINT Mode  
50 END
```

---

---

## PROBe:EXTeRnal:GAIN

**Command**           :CHANnel<N>:PROBe:EXTeRnal:GAIN  
                  <gain\_factor>[, {RATio | DECibel}]

**CHANnel<N>:PROBe:EXTeRnal command must be set to ON before issuing this command or query or this command will have no effect.**

The :CHANnel<N>:PROBe:EXTeRnal:GAIN command sets the probe external scaling gain factor and, optionally, the units for the probe gain factor. The reference factors that are used for scaling the display are changed with this command, and affect automatic measurements and trigger levels.

The RATio or DECibel also sets the mode for the probe attenuation and also determines the units that may be used for a subsequent command. For example, if you select RATio mode, then the attenuation factor must be given in ratio gain units. In DECibel mode, you can specify the units for the argument as “dB”.

<N> An integer, 1 - 4

<gain\_factor> A real number from 0.001 to 10000 for the RATio gain units, or from -60 dB to 80 dB for the DECibel gain units.

---

### Example

This example sets the probe external scaling gain factor for channel 1 to 10.

```
10 OUTPUT 707; ":CHANNEL1:PROBE:EXTERNAL ON"  
20 OUTPUT 707; ":CHANNEL1:PROBE:EXTERNAL:GAIN 10,RATIO"  
30 END
```

## Channel Commands

### PROBe:EXTeRnal:GAIN

**Query** `:CHANnel<N>:PROBe:EXTeRnal:GAIN?`

The `:CHANnel<N>:PROBe:EXTeRnal:GAIN?` query returns the probe external gain setting for the selected channel.

**Returned Format** `[ :CHANnel<N>:PROBe:EXTeRnal:GAIN] <gain_factor><NL>`

---

#### Example

This example places the external gain value of the probe on the specified channel in the variable, Gain, then prints the contents of the variable to the computer's screen.

```
10 OUTPUT 707; ":CHANNEL1:PROBE:EXTERNAL ON"
20 OUTPUT 707; ":CHANNEL1:PROBE:EXTERNAL:GAIN?"
30 ENTER 707;Gain
40 PRINT Gain
50 END
```

---



## PROBe:EXTeRnal:OFFSet

**Command**                   :CHANnel<N>:PROBe:EXTeRnal:OFFSet <offset\_value>

**CHANnel<N>:PROBe:EXTeRnal command must be set to ON before issuing this command or query or this command will have no effect.**

The :CHANnel<N>:PROBe:EXTeRnal:OFFSet command sets the external vertical value for the probe that is represented at the center of the display for the selected channel. Offset parameters are probe and vertical scale dependent. When using the 113xA, series probes, the CHANnel<N>:PROBe:STYPe command determines how the offset is applied. When CHANnel<N>:PROBe:STYPe SINGLE is selected, the :CHANnel<N>:PROBe:EXTeRnal:OFFSet command changes the offset value of the probe amplifier. When CHANnel<N>:PROBe:STYPe DIFFerential is selected, the :CHANnel<N>:PROBe:EXTeRnal:OFFSet command changes the offset value of the channel amplifier.

<N> An integer, 1 - 4

<offset\_value> A real number for the offset value at center screen. Usually expressed in volts, but can be in other measurement units, such as amperes, if you have specified other units using the :CHANnel<N>:PROBe:EXTeRnal:UNITs command.

**Example**

This example sets the external offset for the probe on channel 1 to 0.125 in the current measurement units:

```
10 OUTPUT 707; "CHANNEL1:PROBE:EXTERNAL ON"
20 OUTPUT 707; ":CHANNEL1:PROBE:EXTERNAL:OFFSET 125E-3"
30 END
```

## Channel Commands

### PROBe:EXTeRnal:OFFSet

**Query** `:CHANnel<N>:EXTeRnal:PROBe:OFFSet?`

The `:CHANnel<N>:PROBe:EXTeRnal:OFFSet?` query returns the current external offset value for the probe on the specified channel.

**Returned Format** `[CHANnel<N>:PROBe:EXTeRnal:OFFSet] <offset_value><NL>`

---

#### Example

This example places the external offset value of the probe on the specified channel in the variable, `Offset`, then prints the contents of the variable to the computer's screen.

```
10 OUTPUT 707;"SYSTEM:HEADER OFF"  
20 OUTPUT 707;"CHANNEL1:PROBE:EXTERNAL ON"  
30 OUTPUT 707;"CHANNEL1:PROBE:EXTERNAL:OFFSET?"  
40 ENTER 707;Offset  
50 PRINT Offset  
60 END
```

---

---

## PROBe:EXTeRnal:UNITs

**Command**                   :CHANnel<N>:PROBe:EXTeRnal:UNITs {VOLT | AMPere |  
WATT | UNKNown}

**CHANnel<N>:PROBe:EXTeRnal command must be set to ON before issuing this command or query or this command will have no effect. UNITs can also be set using the CHANnel<N>:UNITs command.**

The :CHANnel<N>:PROBe:EXTeRnal:UNITs command sets the probe external vertical units on the specified channel. You can specify Y-axis units of VOLTs, AMPs, WATTs, or UNKNown. The units are implied for other pertinent channel probe external commands and channel commands (such as :CHANnel<N>:PROBe:EXTeRnal:OFFSet and :CHANnel<N>:RANGe). See the Probe Setup dialog box for more information.

<N> An integer, 1 - 4

---

### Example

This example sets the external units for the probe on channel 1 to amperes.

```
10 OUTPUT 707; "CHANNEL1:PROBE:EXTERNAL ON"  
20 OUTPUT 707; ":CHANNEL1:PROBE:EXTERNAL:UNITs AMPERE"  
30 END
```

---

## Channel Commands

### PROBe:EXTeRnal:UNITs

**Query** `:CHANnel<N>:PROBe:EXTeRnal:UNITs?`

The `:CHANnel<N>:PROBe:EXTeRnal:UNITs?` query returns the current external units setting for the probe on the specified channel.

**Returned Format** `[ :CHANnel<N>:PROBe:EXTeRnal:UNITs ] {VOLT | AMPere | WATT | UNKNOwn} <NL>`

---

**Example** This example places the external vertical units for the probe on the specified channel in the string variable, `Units$`, then prints the contents of the variable to the computer's screen.

```
10 DIM Units$[50]
20 OUTPUT 707;"CHANNEL1:PROBE:EXTERNAL ON"
30 OUTPUT 707;"CHANNEL1:PROBE:EXTERNAL:UNITs?"
40 ENTER 707;Units$
50 PRINT Units$
60 END
```

---

---

## PROBe:GAIN

**Command**                   :CHANnel<N>:PROBe:GAIN {X1 | X10}

The :CHANnel<N>:PROBe:GAIN command sets the probe gain. The 1154A probe has the ability to change the probe's input amplifier gain.

**This command is only available when 1154A probe is connected to a channel. If one of these probes is not connected to the channel you will get a settings conflict error.**

The units of volts, amperes, watts, and unknown are set using the :CHANnel<N>:UNITs command.

<N> An integer, 1 - 2, for two channel Infiniium Oscilloscope.  
An integer, 1 - 4, for all other Infiniium Oscilloscope models.

---

**Example**

This example sets the probe gain for channel 1 to times 10.

```
10 OUTPUT 707; ":CHANNEL1:PROBE:GAIN X10"
20 END
```

---

**Query**

:CHANnel<N>:PROBe:GAIN?

The :CHANnel<N>:PROBe:GAIN? query returns the current probe gain setting for the selected channel.

**Returned Format**

[ :CHANnel<N>:PROBe:GAIN ] {X1 | X10} <NL>

---

## PROBe:HEAD:ADD

`:CHANnel<N>:PROBe:HEAD:ADD "head", ["label"]`

The `:CHANnel<N>:PROBe:HEAD:ADD` command adds an entry to the list of probe heads.

<N> An integer, 1 - 2, for two channel Infiniium Oscilloscope.  
An integer, 1 - 4, for all other Infiniium Oscilloscope models.

"head" A quoted string matching the probe head model such as "N5381A", "E2678A", etc.

"label" An optional quoted string for the head label.

---

### Example

This example adds the probe head N5381A to the list of probe heads for channel 1.

```
10 OUTPUT 707; ":CHANNEL1:PROBE:HEAD:ADD "N5381A" "  
20 END
```

---

### Query

There is no query available for this command.

---

## PROBe:HEAD:DELeTe ALL

:CHANnel<N>:PROBe:HEAD:DELeTe ALL

The :CHANnel<N>:PROBe:HEAD:DELeTe ALL command deletes all the nodes in the list of probe heads except for one default probe head which remains after this command is executed.

<N> An integer, 1 - 2, for two channel Infiniium Oscilloscope.  
An integer, 1 - 4, for all other Infiniium Oscilloscope models.

---

### Example

This example deletes the entire list of probe heads for channel 1 except for the default head.

```
10 OUTPUT 707; ":CHANNEL1:PROBE:HEAD:DELeTe ALL"  
20 END
```

---

### Query

There is no query available for this command.

---

## PROBe:HEAD:SElect

`:CHANnel<N>:PROBe:HEAD:SElect <head_list_number>`

The `:CHANnel<N>:PROBe:HEAD:SElect` command selects the position number of the probe head being used from a list of possible probe head choices. Note that the actual probe head model number or label cannot be used to specify the probe head. Instead, its position in the list is used to indicate which probe head is being used.

Use the `:CHANnel<N>:PROBe:HEAD:DElete ALL` and the `:CHANnel<N>:PROBe:HEAD:ADD` commands to delete and add probe heads from the list.

- <N> An integer, 1 - 2, for two channel Infiniium Oscilloscope.  
An integer, 1 - 4, for all other Infiniium Oscilloscope models.

<head\_list\_

number> Specifies the position in the configure list. The entry at the top of the list starts at 1. Note that this command does not reference the list by label or model number because there can be duplicate entries in the list.

---

### Example

This example sets the probe head for channel 1 to the first selection in the configuration list.

```
10 OUTPUT 707; ":CHANNEL1:PROBE:HEAD:SElect 1"  
20 END
```

---

### Query

`:CHANnel<N>:PROBe:HEAD:SElect?`

The `:CHANnel<N>:PROBe:HEAD:SElect?` query returns a SCPI formatted string of the selected head.



---

## PROBe:ID?

**Query** :CHANnel<N>:PROBe:ID?

The :CHANnel<N>:PROBe:ID? query returns the type of probe attached to the specified oscilloscope channel.

<N> An integer, 1 - 2, for two channel Infiniium Oscilloscope.  
An integer, 1 - 4, for all other Infiniium Oscilloscope models.

**Returned Format** [:CHANnel<N>:PROBe:ID] <probe\_id>

<probe\_id> A string of up to 9 alphanumeric characters. Some of the possible returned values are:

- 1131A
- 1132A
- 1134A
- 1147A
- 1153A
- 1154A
- 1156A
- 1157A
- 1158A
- 1159A
- AutoProbe
- E2621A
- E2622A
- E2695A
- E2697A
- HP1152A
- HP1153A
- NONE
- Probe
- Unknown

## Channel Commands

### PROBe:ID?

---

**Example**

This example reports the probe type connected to channel 1, if one is connected.

```
10 OUTPUT 707; ":CHANNEL1:PROBE:ID?"
20 END
```

---

---

## PROBe:SKEW

**Command**                   :CHANnel<N>:PROBe:SKEW <skew\_value>

The :CHANnel<N>:PROBe:SKEW command sets the channel-to-channel skew factor for the specified channel. You can use the oscilloscope's probe skew control to remove timing differences between probes or cables on different channels.

<N> An integer, 1 - 2, for two channel Infiniium Oscilloscope.  
 An integer, 1 - 4, for all other Infiniium Oscilloscope models.

<skew\_value> A real number for the skew value, in the range -100  $\mu$ s to 100  $\mu$ s.

---

**Example**                   This example sets the probe skew for channel 1 to 10  $\mu$ s.

```
10  OUTPUT 707; ":CHANNEL1:PROBE:SKEW 10E-6"
20  END
```

---

**Query**                     :CHANnel<N>:PROBe:SKEW?

The :CHANnel<N>:PROBe:SKEW? query returns the current probe skew setting for the selected channel.

**Returned Format**       [:CHANnel<N>:PROBe:SKEW] <skew\_value><NL>

---

## PROBe:STYPe

**Command** `:CHANnel<N>:PROBe:STYPe {DIFFerential | SINGLE}`

**This command is valid only for the 113xA series, 168A, and 1169A probes.**

The `:CHANnel<N>:PROBe:STYPe` command sets the channel probe signal type (STYPe) to differential or single-ended when using the 113xA series, 1168A, and 1169A probes and determines how offset is applied.

When single-ended is selected, the `:CHANnel<N>:PROBe:EXTernal:OFFset` command changes the offset value of the probe amplifier. When differential is selected, the `:CHANnel<N>:PROBe:EXTernal:OFFset` command changes the offset value of the channel amplifier.

<N> An integer, 1 - 4

---

**Example** This example sets the probe mode to single-ended..

```
10 OUTPUT 707; ":CHANNEL1:PROBE:STYPE SINGLE"  
20 END
```

---

**Query** `:CHANnel<N>:PROBe:STYPe?`

The `:CHANnel<N>:PROBe:STYPe?` query returns the current probe mode setting for the selected channel.

**Returned Format** `[:CHANnel<N>:PROBe:STYPe] {DIFFerential | SINGLE}<NL>`

---

## RANGe

**Command** :CHANnel<N>:RANGe <range\_value>

The :CHANnel<N>:RANGe command defines the full-scale vertical axis of the selected channel. It sets up acquisition and display hardware to display the waveform at a given range scale. The values represent the full-scale deflection factor of the vertical axis in volts. These values change as the probe attenuation factor is changed.

<N> An integer, 1 - 2, for two channel Infiniium Oscilloscope.  
An integer, 1 - 4, for all other Infiniium Oscilloscope models.

<range\_value> A real number for the full-scale voltage of the specified channel number.

---

**Example** This example sets the full-scale range for channel 1 to 500 mV.

```
10 OUTPUT 707;":CHANNEL1:RANGE 500E-3"
20 END
```

---

**Query** :CHANnel<N>:RANGe?

The :CHANnel<N>:RANGe? query returns the current full-scale vertical axis setting for the selected channel.

**Returned Format** [:CHANnel<N>:RANGe]<range\_value><NL>

---

**Example** This example places the current range value in the number variable, Setting, then prints the contents of the variable to the computer's screen.

```
10 OUTPUT 707;":SYSTEM:HEADER OFF"!Response headers off
20 OUTPUT 707;":CHANNEL1:RANGE?"
30 ENTER 707;Setting
40 PRINT Setting
50 END
```

---

---

## SCALE

**Command**            :CHANnel<N>:SCALE <scale\_value>

The :CHANnel<N>:SCALE command sets the vertical scale, or units per division, of the selected channel. This command is the same as the front-panel channel scale.

<N> An integer, 1 - 2, for two channel Infiniium Oscilloscope.  
An integer, 1 - 4, for all other Infiniium Oscilloscope models.

<scale\_value> A real number for the vertical scale of the channel in units per division.

---

**Example**            This example sets the scale value for channel 1 to 500 mV/div.

```
10  OUTPUT 707; ":CHANNEL1:SCALE 500E-3"  
20  END
```

---

**Query**             :CHANnel<N>:SCALE?

The :CHANnel<N>:SCALE? query returns the current scale setting for the specified channel.

**Returned Format**    [:CHANnel<N>:SCALE] <scale\_value><NL>

---

**Example**            This example places the current scale value in the number variable, Setting, then prints the contents of the variable to the computer's screen.

```
10  OUTPUT 707; ":SYSTEM:HEADER OFF"!Response headers off  
20  OUTPUT 707; ":CHANNEL1:SCALE?"  
30  ENTER 707;Setting  
40  PRINT Setting  
50  END
```

---

## UNITS

**Command**                   :CHANnel<N>:UNITS {VOLT | AMPere | WATT | UNKNown}

The :CHANnel<N>:UNITS command sets the vertical units. You can specify Y-axis units of VOLTS, AMPS, WATTS, or UNKNown. The units are implied for other pertinent channel commands (such as :CHANnel<N>:RANGe and :CHANnel<N>:OFFSet). See the Probe Setup dialog box for more information.

<N> An integer, 1 - 2, for two channel Infiniium Oscilloscope.  
An integer, 1 - 4, for all other Infiniium Oscilloscope models.

---

**Example**                   This example sets the units for channel 1 to amperes.

```
10 OUTPUT 707;":CHANNEL1:UNITS AMPERE"
20 END
```

---

**Query**                    :CHANnel<N>:UNITS?

The :CHANnel<N>:UNITS? query returns the current units setting for the specified channel.

**Returned Format**       [:CHANnel<N>:UNITS] {VOLT | AMPere | WATT | UNKNown}<NL>

---

**Example**                   This example places the vertical units for the specified channel in the string variable, Units\$, then prints the contents of the variable to the computer's screen.

```
10 DIM Units$[50]
20 OUTPUT 707;"CHANNEL1:UNITS?"
30 ENTER 707;Units$
40 PRINT Units$
50 END
```

---

**Channel Commands**  
**UNITs**





---

# Common Commands

Common commands are defined by the IEEE 488.2 standard. They control generic device functions that are common to many different types of instruments. Common commands can be received and processed by the oscilloscope, whether they are sent over the GPIB as separate program messages or within other program messages.

These common commands and queries are implemented in the Infiniium Oscilloscopes:

- \*CLS (Clear Status)
- \*ESE (Event Status Enable)
- \*ESR? (Event Status Register)
- \*IDN? (Identification Number)
- \*LRN? (Learn)
- \*OPC (Operation Complete)
- \*OPT? (Option)
- \*PSC (Power-on Status Clear)
- \*RCL (Recall)
- \*RST (Reset)
- \*SAV (Save)
- \*SRE (Service Request Enable)
- \*STB? (Status Byte)
- \*TRG (Trigger)
- \*TST? (Test)
- \*WAI (Wait-to-Continue)

### Receiving Common Commands

Common commands can be received and processed by the oscilloscope, whether they are sent over the GPIB as separate program messages or within other program messages. If a subsystem is currently selected and a common command is received by the oscilloscope, the oscilloscope remains in the selected subsystem. For example, if the program message

```
"ACQUIRE:AVERAGE ON;*CLS;COUNT 1024"
```

is received by the oscilloscope, the oscilloscope sets the acquire type, clears the status information, then sets the number of averages without leaving the selected subsystem.

#### Headers and Common Commands.

Headers are not prepended to common commands.

### Status Registers

The following two status registers used by common commands have an enable (mask) register. By setting bits in the enable register, you can select the status information for use. Refer to the chapter, "Status Reporting," for a complete discussion of status.

Table 12-1

#### Status and Enable Registers

Status Register	Enable Register
Event Status Register	Event Status Enable Register
Status Byte Register	Service Request Enable Register

## Common Commands

### \*CLS (Clear Status)

---

#### \*CLS (Clear Status)

**Command**

\*CLS

The \*CLS command clears all status and error registers.

---

**Example**

This example clears the status data structures of the oscilloscope.

```
10 OUTPUT 707; "*CLS"  
20 END
```

---

**See Also**

Refer to the “Status Reporting” chapter for a complete discussion of status.

---

## \*ESE (Event Status Enable)

**Command**            \*ESE <mask>

The \*ESE command sets the Standard Event Status Enable Register bits.

<mask>    An integer, 0 to 255, representing a mask value for the bits to be enabled in the Standard Event Status Register as shown in Table 12-2.

---

**Example**            This example enables the User Request (URQ) bit of the Standard Event Status Enable Register. When this bit is enabled and a front-panel key is pressed, the Event Summary bit (ESB) in the Status Byte Register is also set.

```
10  OUTPUT 707; "*ESE 64 "  
20  END
```

---

**Query**            \*ESE?

The \*ESE? query returns the current contents of the Standard Event Status Enable Register.

**Returned Format**    <mask><NL>

<mask>    An integer, +0 to +255 (the plus sign is also returned), representing a mask value for the bits enabled in the Standard Event Status Register as shown in Table 12-2.

---

**Example**            This example places the current contents of the Standard Event Status Enable Register in the numeric variable, Event. The value of the variable is printed on the computer's screen.

```
10  OUTPUT 707; "*ESE?"  
20  ENTER 707;Event  
30  PRINT Event  
40  END
```

## Common Commands

### \*ESE (Event Status Enable)

The Standard Event Status Enable Register contains a mask value for the bits to be enabled in the Standard Event Status Register. A "1" in the Standard Event Status Enable Register enables the corresponding bit in the Standard Event Status Register. A "0" in the enable register disables the corresponding bit.

**Table 12-2**

<b>Standard Event Status Enable Register Bits</b>			
<b>Bit</b>	<b>Weight</b>	<b>Enables</b>	<b>Definition</b>
<b>7</b>	<b>128</b>	<b>PON - Power On</b>	<b>Indicates power is turned on.</b>
<b>6</b>	<b>64</b>		<b>Not Used. Permanently set to zero.</b>
<b>5</b>	<b>32</b>	<b>CME - Command Error</b>	<b>Indicates whether the parser detected an error.</b>
<b>4</b>	<b>16</b>	<b>EXE - Execution Error</b>	<b>Indicates whether a parameter was out of range, or was inconsistent with the current settings.</b>
<b>3</b>	<b>8</b>	<b>DDE - Device Dependent Error</b>	<b>Indicates whether the device was unable to complete an operation for device-dependent reasons.</b>
<b>2</b>	<b>4</b>	<b>QYE - Query Error</b>	<b>Indicates if the protocol for queries has been violated.</b>
<b>1</b>	<b>2</b>	<b>RQC - Request Control</b>	<b>Indicates whether the device is requesting control.</b>
<b>0</b>	<b>1</b>	<b>OPC - Operation Complete</b>	<b>Indicates whether the device has completed all pending operations.</b>

### See Also

Refer to the chapter, "Status Reporting," for a complete discussion of status.

---

## \*ESR? (Event Status Register)

### Query

\*ESR?

The \*ESR? query returns the contents of the Standard Event Status Register. Reading this register clears the Standard Event Status Register, as does a \*CLS.

### Returned Format

<status><NL>

<status> An integer, 0 to 255, representing the total bit weights of all bits that are high at the time you read the register.

---

### Example

This example places the current contents of the Standard Event Status Register in the numeric variable, Event, then prints the value of the variable to the computer's screen.

```
10 OUTPUT 707; "*ESR?"
20 ENTER 707;Event
30 PRINT Event
40 END
```

---

Table 12-3 lists each bit in the Event Status Register and the corresponding bit weights.

## Common Commands

### \*ESR? (Event Status Register)

Table 12-3

<b>Standard Event Status Register Bits</b>			
<b>Bit</b>	<b>Bit Weight</b>	<b>Bit Name</b>	<b>Condition</b>
7	128	PON	1 = OFF to ON transition has occurred.
6	64		Not Used. Permanently set to zero.
5	32	CME	0 = no command errors. 1 = a command error has been detected.
4	16	EXE	0 = no execution error. 1 = an execution error has been detected.
3	8	DDE	0 = no device-dependent errors. 1 = a device-dependent error has been detected.
2	4	QYE	0 = no query errors. 1 = a query error has been detected.
1	2	RQC	0 = request control - NOT used - always 0.
0	1	OPC	0 = operation is not complete. 1 = operation is complete.
		0 = False = Low	1 = True = High



---

## \*IDN? (Identification Number)

### Query

\*IDN?

The \*IDN? query returns the company name, oscilloscope model number, serial number, and software version by returning this string:

```
Agilent Technologies,<Model #>,<USXXXXXXXX>,<Rev #>
```

<Model #> Specifies the model number of the oscilloscope.

<USXXXXXXXX> Specifies the serial number of the oscilloscope. The first four digits and letter are the serial prefix, which is the same for all identical oscilloscopes. The last five digits are the serial suffix, which is assigned sequentially, and is different for each oscilloscope.

<Rev #> Specifies the software version of the oscilloscope, and is the revision number.

<Options> Comma separated list of the installed options.

### Returned Format

```
Agilent Technologies,DSO8104A,USXXXXXXXX,A.XX.XX
```

---

### Example

This example places the oscilloscope's identification information in the string variable, Identify\$, then prints the identification information to the computer's screen.

```
10 DIM Identify$[50]!dimension variable
20 OUTPUT 707;"*IDN?"
30 ENTER 707;Identify$
40 PRINT Identify$
50 END
```

---

## Common Commands

### \*LRN? (Learn)

---

## \*LRN? (Learn)

### Query

\*LRN?

The \*LRN? query returns a string that contains the oscilloscope's current setup. You can store the oscilloscope's setup and send it back to the oscilloscope at a later time. This setup string should be sent to the oscilloscope just as it is. It works because of its embedded ":SYSTem:SETup" header.

### Returned Format

:SYSTem:SETup <setup><NL>

<setup> This is a definite-length, arbitrary block response specifying the current oscilloscope setup. The block size is subject to change with different firmware revisions.

---

### Example

This example sets the oscilloscope's address and asks for the learn string, then determines the string length according to the IEEE 488.2 block specification. It then reads the string and the last EOF character.

```
10 ! Set up the oscilloscope's address and
20 ! ask for the learn string...
30 ASSIGN @Scope TO 707
40 OUTPUT @Scope:"*LRN?"
50 !
60 ! Search for the # sign.
70 !
80 Find_pound_sign: !
90 ENTER @Scope USING "#,A";Thischar$
100 IF Thischar$<>"#" THEN Find_pound_sign
110 !
120 ! Determine the string length according
130 ! to the IEEE 488.2 # block spec.
140 ! Read the string then the last EOF char.
150 !
160 ENTER @Scope USING "#,D";Digit_count
170 ENTER @Scope USING
"#,"&VAL$(Digit_count)&"D";Stringlength
180 ALLOCATE Learn_string$(Stringlength+1)
190 ENTER @Scope USING "-K";Learn_string$
200 OUTPUT 707;":syst:err?"
210 ENTER 707;Errornum
220 PRINT "Error Status=";Errornum
```

**See Also**

:SYSTem:SETup command and query. When HEADers and LONGform are ON, the :SYSTem:SETup command performs the same function as the \*LRN? query. Otherwise, \*LRN and SETup are not interchangeable.

**\*LRN? Returns Prefix to Setup Block**

**The \*LRN query always returns :SYSTem:SETup as a prefix to the setup block.  
The :SYSTem:HEADer command has no effect on this response.**

**Common Commands**  
**\*OPC (Operation Complete)**

---

## \*OPC (Operation Complete)

**Command**

\*OPC

The \*OPC command sets the operation complete bit in the Standard Event Status Register when all pending device operations have finished.

---

**Example**

This example sets the operation complete bit in the Standard Event Status Register when the DIGitize operation is complete.

```
10 OUTPUT 707; ":DIGITIZE CHANNEL1; *OPC"  
20 END
```

---

**Query**

\*OPC?

The \*OPC? query places an ASCII character "1" in the oscilloscope's output queue when all pending selected device operations have finished.

---

**Returned Format**

1<NL>

---

**Example**

This example places an ASCII character "1" in the oscilloscope's output queue when the AUToscale operation is complete. Then the value in the output queue is placed in the numeric variable "Complete."

```
10 OUTPUT 707; ":AUTOSCALE; *OPC?"  
20 ENTER 707; Complete  
30 PRINT Complete  
40 END
```

---

The \*OPC? query allows synchronization between the computer and the oscilloscope by using the message available (MAV) bit in the Status Byte, or by reading the output queue. Unlike the \*OPC command, the \*OPC query does not affect the OPC Event bit in the Standard Event Status Register.

---

## \*OPT? (Option)

### Query

\*OPT?

The \*OPT? query returns a string with a list of installed options. If no options are installed, the string will have a 0 as the first character.

The length of the returned string may increase as options become available in the future. Once implemented, an option name will be appended to the end of the returned string, delimited by a comma.

### Returned Format

```
[001,002,640,320,160,080,040,EZP,CLK,EZJ,SDA,LSS,EBW,NRD,
ERC]<NL>
```

See on-line help system in the Help/About dialog box for the installed options list.

---

### Example

This example places all options into the string variable, Options\$, then prints the option name to the computer's screen.

```
10 DIM Options$[100]
20 OUTPUT 707;"*OPT?"
30 ENTER 707;Options$
40 PRINT Options$
50 END
```

---

## Common Commands

### \*PSC (Power-on Status Clear)

---

## \*PSC (Power-on Status Clear)

**Command**            \*PSC {{ON|1} | {OFF|0}}

The \*PSC command determines whether or not the SRQ line is set upon the completion of the oscilloscope's boot process. When the \*PSC flag is set to 1, the Power On (PON) bit of the Standard Event Status Register is 0 during the boot process. When the \*PSC flag is set to 0, the PON bit is set to a 1 during the boot process.

When the \*PSC flag is set to 0, the Standard Event Status Enable Register must be set to 128 decimal and the Service Request Enable Register must be set to 32 decimal. This allows the Power On (PON) bit to set the SRQ line when the oscilloscope is ready to receive commands.

**If you are using a LAN interface rather than a GPIB interface, it is not possible to receive the SRQ during the boot process.**

---

**Example**            This example sets the \*PSC flag to 0 which sets the SRQ line during the boot process.

```
10 OUTPUT 707;"*PSC 0;*SRE 32;*ESE 128"  
20 END
```

---

**Query**            The \*PSC? query returns the value of the \*PSC flag.

**Returned Format**    1<NL>

---

**Example**            This example places the \*PSC flag into the integer variable Pscflag.

```
10 OUTPUT 707;"*PSC?"  
20 ENTER 707;Pscflag  
30 PRINT Pscflag  
40 END
```

---

## **\*RCL (Recall)**

**Command**            \*RCL <register>

The \*RCL command restores the state of the oscilloscope to a setup previously stored in the specified save/recall register. An oscilloscope setup must have been stored previously in the specified register. Registers 0 through 9 are general-purpose registers and can be used by the \*RCL command.

<register>    An integer, 0 through 9, specifying the save/recall register that contains the oscilloscope setup you want to recall.

---

### **Example**

This example restores the oscilloscope to the oscilloscope setup stored in register 3.

```
10  OUTPUT 707; " *RCL 3 "  
20  END
```

---

### **See Also**

\*SAV (Save). An error message appears on the oscilloscope's display if nothing has been previously saved in the specified register.

## Common Commands

### \*RST (Reset)

---

#### \*RST (Reset)

##### Command

\*RST

The \*RST command places the oscilloscope in a known state.

Default setup does change the :SYSTEM:HEADer or the :SYSTEM:LONGform settings but does change the completion criteria (:ACQuire:COMplete) to 90%.

---

##### Example

This example resets the oscilloscope to a known state.

```
10 OUTPUT 707; " *RST"  
20 END
```

---

<b>The default values for all of the Infiniium controls is located in the Infiniium Help System under Default Setup.</b>
--



---

## **\*SAV (Save)**

Command `*SAV <register>`

The `*SAV` command stores the current state of the oscilloscope in a save register.

`<register>` An integer, 0 through 9, specifying the register used to save the current oscilloscope setup.

---

### **Example**

This example stores the current oscilloscope setup to register 3.

```
10 OUTPUT 707; "*SAV 3"  
20 END
```

---

### **See Also**

`*RCL` (Recall).

**Common Commands**  
**\*SRE (Service Request Enable)**

---

## \*SRE (Service Request Enable)

**Command** \*SRE <mask>

The \*SRE command sets the Service Request Enable Register bits. By setting the \*SRE, when the event happens, you have enabled the oscilloscope's interrupt capability. The oscilloscope will then do an SRQ (service request), which is an interrupt.

<mask> An integer, 0 to 255, representing a mask value for the bits to be enabled in the Service Request Enable Register as shown in Table 12-4.

---

**Example** This example enables a service request to be generated when a message is available in the output queue. When a message is available, the MAV bit is high.

```
10 OUTPUT 707; "*SRE 16"  
20 END
```

---

**Query** \*SRE?

The \*SRE? query returns the current contents of the Service Request Enable Register.

**Returned Format** <mask><NL>

<mask> An integer, 0 to 255, representing a mask value for the bits enabled in the Service Request Enable Register.

---

**Example** This example places the current contents of the Service Request Enable Register in the numeric variable, Value, then prints the value of the variable to the computer's screen.

```
10 OUTPUT 707; "*SRE?"  
20 ENTER 707;Value  
30 PRINT Value  
40 END
```

The Service Request Enable Register contains a mask value for the bits to be enabled in the Status Byte Register. A “1” in the Service Request Enable Register enables the corresponding bit in the Status Byte Register. A “0” disables the bit.

**Table 12-4**

<b>Service Request Enable Register Bits</b>		
<b>Bit</b>	<b>Weight</b>	<b>Enables</b>
<b>7</b>	<b>128</b>	<b>OPER - Operation Status Register</b>
<b>6</b>	<b>64</b>	<b>Not Used</b>
<b>5</b>	<b>32</b>	<b>ESB - Event Status Bit</b>
<b>4</b>	<b>16</b>	<b>MAV - Message Available</b>
<b>3</b>	<b>8</b>	<b>Not Used</b>
<b>2</b>	<b>4</b>	<b>MSG - Message</b>
<b>1</b>	<b>2</b>	<b>USR - User Event Register</b>
<b>0</b>	<b>1</b>	<b>TRG - Trigger</b>

## Common Commands

### \*STB? (Status Byte)

---

#### \*STB? (Status Byte)

##### Query

\*STB?

The \*STB? query returns the current contents of the Status Byte, including the Master Summary Status (MSS) bit. See Table 12-5 for Status Byte Register bit definitions.

##### Returned Format

<value><NL>

<value> An integer, 0 to 255, representing a mask value for the bits enabled in the Status Byte.

---

##### Example

This example reads the contents of the Status Byte into the numeric variable, Value, then prints the value of the variable to the computer's screen.

```
10 OUTPUT 707; "*STB?"
20 ENTER 707;Value
30 PRINT Value
40 END
```

---

In response to a serial poll (SPOLL), Request Service (RQS) is reported on bit 6 of the status byte. Otherwise, the Master Summary Status bit (MSS) is reported on bit 6. MSS is the inclusive OR of the bitwise combination, excluding bit 6, of the Status Byte Register and the Service Request Enable Register. The MSS message indicates that the oscilloscope is requesting service (SRQ).

Table 12-5

<b>Status Byte Register Bits</b>			
<b>Bit</b>	<b>Bit Weight</b>	<b>Bit Name</b>	<b>Condition</b>
7	128	OPER	0 = no enabled operation status conditions have occurred 1 = an enabled operation status condition has occurred
6	64	RQS/MSS	0 = oscilloscope has no reason for service 1 = oscilloscope is requesting service
5	32	ESB	0 = no event status conditions have occurred 1 = an enabled event status condition has occurred
4	16	MAV	0 = no output messages are ready 1 = an output message is ready
3	8	---	0 = not used
2	4	MSG	0 = no message has been displayed 1 = message has been displayed
1	2	USR	0 = no enabled user event conditions have occurred 1 = an enabled user event condition has occurred
0	1	TRG	0 = no trigger has occurred 1 = a trigger occurred
		<b>0 = False = Low</b>	<b>1 = True = High</b>

## Common Commands

### \*TRG (Trigger)

---

#### \*TRG (Trigger)

##### Command

\*TRG

The \*TRG command has the same effect as the Group Execute Trigger message (GET) or RUN command. It acquires data for the active waveform display, if the trigger conditions are met, according to the current settings.

---

##### Example

This example starts the data acquisition for the active waveform display according to the current settings.

```
10 OUTPUT 707; "*TRG"  
20 END
```

---

#### **Trigger Conditions Must Be Met**

**When you send the \*TRG command in Single trigger mode, the trigger conditions must be met before the oscilloscope will acquire data.**

---

## \*TST? (Test)

### Query

\*TST?

The \*TST? query causes the oscilloscope to perform a self-test, and places a response in the output queue indicating whether or not the self-test completed without any detected errors. Use the :SYSTem:ERRor command to check for errors. A zero indicates that the test passed and a non-zero indicates the self-test failed.

### Disconnect Inputs First

**You must disconnect all front-panel inputs before sending the \*TST? command.**

### Returned Format

<result><NL>

<result> 0 for pass; non-zero for fail.

---

### Example

This example performs a self-test on the oscilloscope and places the results in the numeric variable, Results. The program then prints the results to the computer's screen.

```
10 OUTPUT 707; "*TST?"
20 ENTER 707;Results
30 PRINT Results
40 END
```

---

If a test fails, refer to the troubleshooting section of the service guide.

### Expanded Error Reporting

**The :SELFtest:SCOPETEST command has expanded error reporting. Instead of using \*TST?, Agilent recommends that you use the :SELFtest:SCOPETEST command. In either case, be sure you disconnect all front-panel inputs before sending the \*TST? command.**

The self-test takes approximately 10 minutes to complete. When using timeouts in your program, a 700-second duration is recommended.

## Common Commands

### \*WAI (Wait)

---

#### \*WAI (Wait)

##### Command

\*WAI

The \*WAI command has no function in the oscilloscope, but is parsed for compatibility with other instruments.

---

##### Example

Output 707; "\*WAI"

---





---

# Digital Commands

**The DIGital commands only apply to the MSO Oscilloscopes.**

The :DIGital modes and commands described in this chapter include:

- DISPlay
- LABel
- SIZE
- THReshold

---

## DISPlay

**The DIGital commands only apply to the MSO Oscilloscopes.**

**Command**                   :DIGital<N>[:DISPlay] {ON | OFF | 1 | 0}

The :DIGital<N>:DISPlay command enables or disables the view for the selected digital channel. The digital subsystem must be enabled before this command will work. See ENABLE command in the root subsystem.

<N> An integer, 0 - 15.

---

**Example**                   This example turns on the display of bit 5 for the digital channels.

```
10 Output 707;"ENABLE DIGITAL"
20 Output 707;"DIGITAL5:DISPLAY ON"
30 END
```

---

**Query**                     :DIGital<N>[:DISPlay]?

The :DIGital<N>:DISPlay? query returns the value of the display setting for the selected digital channel.

**Returned Format**       [:DIGital<N>:DISPlay] {1 | 0}<NL>

---

## LABel

**The DIGital commands only apply to the MSO Oscilloscopes.**

**Command**           :DIGital<N>:LABel <quoted\_string>

The :DIGital<N>:LABel command sets the digital channel label to the quoted string. Setting a label for a digital channel will also result in the name being added to the label list.

**Label strings are 16 characters or less, and may contain any commonly used ASCII characters. Labels with more than 16 characters are truncated to 16 characters.**

<N> An integer, 1 - 2.

<quoted\_string> A series of 6 or less characters as a quoted ASCII string.

---

**Example**           This example sets the label for bit 7 to Clock.  
10 Output 707;:DIGital7:LABel "Clock"  
20 END

---

**Query**             :DIGital<N>:LABel?

The :DIGital<N>:LABel? query returns the name of the specified digital channel.

**Return format**   [:DIGital<N>:LABel] <quoted\_string><NL>

---

## SIZE

**The DIGital commands only apply to the MSO Oscilloscopes.**

**Command** DIGital<N>:SIZE {SMALl | MEDium | LARGe}

The :DIGital<N>:SIZE command changes the vertical size of all the displayed digital channels. The digital subsystem must be enabled before this command will work. See ENABLE command in the root subsystem.

<N> An integer, 0 - 15.

---

**Example** This example changes the size to medium for all displayed digital channels or buses.

```
10 Output 707;"ENABLE DIGITAL"  
20 Output 707;"DIGITAL5:SIZE MEDIUM"  
30 END
```

---

**Query** :DIGital<N>:SIZE?

The :DIGital:CHANnel:SIZE? query returns the size of the displayed digital channels.

**Returned Format** [:DIGital<N>:SIZE] {SMALl | MEDium | LARGe}<NL>

---

## THReshold

**The DIGital commands only apply to the MSO Oscilloscopes.**

### Command

```
:DIGital<N>:THReshold {CMOS50 | CMOS30 | CMOS25 |  
ECL | PECL | TTL | <value>}
```

The :DIGital<N>:THReshold command sets the logic threshold value for a pod. Setting the threshold for digital channels 0 through 7 sets the threshold for pod 1 while setting the threshold for digital channels 8 through 15 sets the threshold for pod 2. This command is equivalent to the POD<N>:THReshold command. The threshold is used for triggering purposes and for displaying the digital data as high (above the threshold) or low (below the threshold). The voltage values for the predefined thresholds are:

```
CMOS50=2.5 V  
CMOS30=1.65 V  
CMOS25=1.25 V  
ECL=-1.3 V  
PECL=3.7 V  
TTL=1.4 V
```

<N> An integer, 0 - 15.

<value> A real number representing the voltage value which distinguishes a 1 logic level from a 0 logic level. Waveform voltages greater than the threshold are 1 logic levels while waveform voltages less than the threshold are 0 logic levels. The range of the threshold voltage is from -8 volts to 8 volts.

---

### Example

This example sets the threshold to 5 volts for bits D15 through D8.

```
10 Output 707;"DIGital8:THReshold 5"  
20 END
```

**Query**                   :DIGital<N>:THREShold?

The :DIGital<N>:THReshold? query returns the threshold value for the specified pod.

**Return format**       [:DIGital<N>:THReshold] {CMOS50 | CMOS30 | CMOS25 | ECL | PECL | TTL | <value>}<NL>







---

# Disk Commands

The DISK subsystem commands perform the disk operations as defined in the File menu. This allows saving and loading of waveforms and setups, as well as saving screen images to bitmap files.

**Enclose File Name in Quotation Marks**

**When specifying a file name, you must enclose it in quotation marks.**

**Filenames are Not Case Sensitive.**

**The filename that you use is not case sensitive.**

These DISK commands and queries are implemented in the Infiniium Oscilloscopes:

- CDIRectory
- DELete
- DIRectory?
- LOAD
- MDIRectory
- PWD?
- SAVe:IMAGe
- SAVe:LISTing
- SAVe:MEASurements
- SAVe:SETup
- SAVe:WAVEform
- SEGmented

---

## CDIRectory

**Command**           :DISK:CDIRectory "<directory>"

The :DISK:CDIRectory command changes the present working directory to the designated directory name. An error occurs when the requested directory does not exist. You can then view the error with the :SYSTEM:ERROR? [{NUMBER | STRING}] query.

<directory> A character-quoted ASCII string, which can include the subdirectory designation. You must separate the directory name and any subdirectories with a backslash (\).

---

**Example**           This example sets the present working directory to C:\SCOPE\DATA.

```
10 OUTPUT 707;" :DISK:CDIRECTORY " "C:\SCOPE\DATA" " "
20 END
```

---

### Directories Not Allowed

**You can execute the command CDIR "A:\", but the following commands are not allowed.**

**:DISK:CDIR "C:\"**

**:DISK:CDIR "C:\SCOPE\BIN"**

**:DISK:CDIR "C:\SCOPE\CAL"**

**If you attempt to execute CDIR using these directories an error message (-257) is issued and the present working directory (PWD) is unchanged.**

---

## DElete

**Command**           :DISK:DElete "<file\_name>"

The :DISK:DElete command deletes a file from the disk. An error is displayed on the oscilloscope screen if the requested file does not exist. The default path is C:\SCOPE\DATA.

<file\_name> A character-quoted ASCII string which can include subdirectories with the name of the file.

---

**Example**

This example deletes FILE1.SET from the disk.

```
10 OUTPUT 707;":DISK:DELETE ""FILE1.SET""
20 END
```

---

---

## DIRectory?

**Query**                   :DISK:DIRectory? ["<directory>"]

The :DISK:DIRectory? query returns the requested directory listing. Each entry is 63 bytes long, including a carriage return and line feed. The default path is C:\SCOPE\DATA.

<directory> The list of filenames and directories.

**Returned Format**       [:DISK:DIRectory]<n><NL><directory>

<n> The specifier that is returned before the directory listing, indicating the number of lines in the listing.

<directory> The list of filenames and directories. Each line is separated by a <NL>.

---

### Example

This example displays a number, then displays a list of files and directories in the current directory. The number indicates the number of lines in the listing.

```
10 DIM A$(80)
20 INTEGER Num_of_lines
30 OUTPUT 707;":DISK:DIR?"
40 ENTER 707;Num_of_lines
50 PRINT Num_of_lines
60 FOR I=1 TO Num_of_lines
70 ENTER 707;A$
80 PRINT A$
90 NEXT I
100 END
```

---

---

## LOAD

**Command**           :DISK:LOAD "<file\_name>" [, <destination>]

The :DISK:LOAD command restores a setup or a waveform from the disk. The type of file is determined by the filename suffix if one is present, or by the destination field if one is not present. You can load .WFM, .CSV, .TSV, .TXT, and .SET file types. The destination is only used when loading a waveform memory.

<file\_name> A quoted ASCII string with a maximum of 254 characters including the entire path name, if used. You can use either .WFM, .CSV, .TSV, .TXT or .SET as a suffix after the filename. If no file suffix is specified, the default is .wfm.

The present working directory is assumed, or you can specify the entire path. For example, you can load the standard setup file "SETUP0.SET" using the command:

```
:DISK:LOAD "C:\SCOPE\SETUPS\SETUP0.SET"
```

Or, you can use :DISK:CDIRECTORY to change the present working directory to C:\SCOPE\SETUPS, then just use the file name ("SETUP0.SET", for example). The default path is C:\SCOPE\DATA.

<destination> WMemory<N>.

Where <N> is an integer from 1-4.

If a destination is not specified, waveform memory 1 is used.

---

**Example**           This example restores the waveform in FILE1.WFM to waveform memory 1.

```
10 OUTPUT 707; :DISK:LOAD " "FILE1.WFM" ", WMEM1 "  
20 END
```

---

---

## MDIRectory

**Command**           :DISK:MDIRectory "<directory>"

The :DISK:MDIRectory command creates a directory in the present working directory which has been set by the :DISK:CDIRectory command. If the present working directory has not been set by the :DISK:CDIRectory command, you must specify the full path in the <directory> parameter as shown in Example 1 below.

An error is displayed if the requested subdirectory does not exist.

<directory> A quoted ASCII string which can include subdirectories. You must separate the directory name and any subdirectories with a backslash (\).

---

### Example 1

This example creates the directory CPROGRAMS in the C:\SCOPE\DATA directory.

```
10 OUTPUT 707;" :DISK:MDIRECTORY " "C:\SCOPE\DATA\CPROGRAMS" " "  
20 END
```

---

### Example 2

This example creates the directory CPROGRAMS in the present working directory set by the :DISK:CDIRectory command.

```
10 OUTPUT 707;" :DISK:MDIRECTORY " "CPROGRAMS" " "  
20 END
```

You can check your path with the :DISK:DIRectory? query.

---

---

## MSTore (Obsolete)

**This command is obsolete but is provided to reduce rework for existing systems and programs. Obsolete commands are not guaranteed to remain in future product releases. New systems and programs should use the following new commands.**

**:SAVE:WAVeform**

**Command**                   :DISK:MSTore "<file\_name>",<format>,<preamble>

The :DISK:MSTore command saves one or more waveform sources to a file. The number of waveform sources stored depends on the number of waveform sources that turned on.

The filename does not include a suffix. The suffix is supplied by the oscilloscope, depending on file format specified.

If a function is on that uses an FFT Magnitude, FFT Phase, or Versus math operator or references another function that uses one of these math operators, it will not be stored to the file.

For sources that are on, channels values are stored first, functions are stored second, waveform memories are stored third, and digital channels are stored last. Channels, functions, and waveform memories are store in the order of 1 to 4. Digital channels are stored from 1 to 16

<file\_name> A quoted ASCII string with a maximum of 254 characters including the entire path name, if used. The filename assumes the present working directory if a path does not precede the file name.

<format> {CSV | BINary | TSV | XYPairs | YVALues}

The BINary format saves the preamble and data in a binary format which is described in the on-line help system. The preamble and data columns in the file are separated by commas for the CSV and XYPairs formats. All other formats use tabs to separate the columns.

<preamble> {ON | OFF}

---

**Example**                   This example stores four waveform data sources to FILE1 in comma separated values with the preamble information turned off.

```
10 OUTPUT 707;":DISK:MSTORE ""FILE1"" ,CSV,OFF"  
20 END
```

---



### Preamble Definition

```

<preamble_ <revision>
  data> <type>
        <start>
        <points>
        <count 1...n>
        <X display range 1...n>
        <X display origin 1...n>
        <X increment 1...n>
        <X origin 1...n>
        <X units 1...n>
        <Y display range 1...n>
        <Y display origin 1...n>
        <Y increment 1...n>
        <Y origin 1...n>
        <Y units 1...n>
        <frame model #>
        <date>
        <time>
        <max bandwidth limit>
        <min bandwidth limit>

<revision> 0
  Always zero.

  <type> RAW type.
  AVERage type.
  VHISistogram.
  HHISistogram.
  INTerpolate.
  DIGital.
  PDETECT.

  <start> 0
  Always zero.

  <points> The number of data points or data pairs contained in the waveform data.

<count 1...n> The number of count columns (n) depends on the number of sources being
stored. For the AVERAGE waveform type, the count value is the fewest number
of hits for all time buckets. This value may be less than or equal to the value
requested with the :ACQUIRE:AVERage:COUNT command. For NORMAL, RAW,
and INTerpolate this value is 0 or 1.

```

## Disk Commands

### MSTore (Obsolete)

- <X display range 1...n> The number of X display range columns (n) depends on the number of sources being stored. The X display range is the X-axis duration of the waveform that is displayed. For time domain waveforms, it is the duration of time across the display. If the value is zero then no data has been acquired.
- <X display origin 1...n> The number of X display origin columns (n) depends on the number of sources being stored. The X display origin is the X-axis value at the left edge of the display. For time domain waveforms, it is the time at the start of the display. This value is treated as a double precision 64-bit floating point number. If the value is zero then no data has been acquired.
- <X increment 1...n> The number of X increment columns (n) depends on the number of sources being store. The X increment is the duration between data points on the X axis. For time domain waveforms, this is the time between points. If the value is zero then no data has been acquired.
- <X origin 1...n> The number of X origin columns (n) depends on the number of sources being store. The X origin is the X-axis value of the first data point in the data record. For time domain waveforms, it is the time of the first point. This value is treated as a double precision 64-bit floating point number. If the value is zero then no data has been acquired.
- <X units 1...n> The number of X units columns (n) depends on the number of sources being store. The X units is the unit of measure for each time value of the acquired data.
- <Y display range 1...n> The number of Y display range columns (n) depends on the number of sources being store. The Y display range is the Y-axis duration of the waveform which is displayed. For voltage waveforms, it is the amount of voltage across the display. If the value is zero then no data has been acquired.
- <Y display origin 1...n> The number of Y display origin columns (n) depends on the number of sources being store. The Y-display origin is the Y-axis value at the center of the display. For voltage waveforms, it is the voltage at the center of the display. If the value is zero then no data has been acquired.
- <Y increment 1...n> The number of Y increment columns (n) depends on the number of sources being store. The Y increment is the duration between Y-axis levels. For voltage waveforms, it is the voltage corresponding to one level. If the value is zero then no data has been acquired.
- <Y origin 1...n> The number of Y origin columns (n) depends on the number of sources being store. The Y origin is the Y-axis value at level zero. For voltage waveforms, it is the voltage at level zero. If the value is zero then no data has been acquired.
- <Y units 1...n> The number of Y units columns (n) depends on the number of sources being store. The Y units is the unit of measure of each voltage value of the acquired waveform.

- <frame> A string containing the model number and serial number of the oscilloscope in the format of MODEL#:SERIAL#.
- <date> A string containing the date in the format of day, month, and year.
- <time> A string containing the time in the format HH:MM:SS, where HH is the hour, 0 to 23, MM is the minutes, 0 to 59, and SS is the seconds, 0 to 59.
- <max bandwidth limit> The band pass consists of two values that are an estimation of the maximum and minimum bandwidth limits of the source waveform. The bandwidth limit is computed as a function of the selected coupling and filter mode.
- <min bandwidth limit>

---

## PWD?

**Query**                   :DISK:PWD?

The :DISK:PWD? query returns the name of the present working directory (including the full path). If the default has not been changed by the :DISK:CDIRECTORY command, the DISK:PWD? query will return an empty string.

**Returned Format**       :DISK:PWD? <present\_working\_directory><NL>

---

**Example**                This example places the present working directory in the string variable Wdir?, then prints the contents of the variable to the computer's screen.

```
10 DIM Wdir$(200)
20 OUTPUT 707;" :DISK:PWD?"
30 ENTER 707; Wdir$
40 PRINT Wdir$
50 END
```

---

## SAVe:IMAGe

**Command**           :DISK:SAVe:IMAGe "<file\_name>" [, <format>  
                      [, {SCReen|GRATicule}  
                      [, {ON|1} | {OFF|0}  
                      [, {NORMAl|INVeRT}]]]]

The DISK:SAVe:IMAGe command saves a screen image in BMP, GIF, TIF, PNG, or JPEG format. The extension is supplied by the oscilloscope depending on the selected file format. If you do not include the format in the command, the file is saved in the format which is shown in the Save Screen dialog box. The default path is C:\SCOPE\DATA.

<file\_name> A quoted ASCII string with a maximum of 254 characters including the entire path name, if used.

<format> {BMP|GIF|TIF|JPEG|PNG}

---

**Examples**           OUTPUT 707;" :DISK:SAVE: IMAGE " "FILE1" ", BMP, SCR, ON, INVERT"  
                      or  
                      OUTPUT 707;" :DISK:SAVE: IMAGE " "FILE1" ", TIF, GRAT, ON"  
                      or  
                      OUTPUT 707;" :DISK:SAVE: IMAGE " "FILE1" " "

---

---

## SAVe:LISTing

**Command**           :DISK:SAVe:LISTing "<file\_name>" [, {CSV | TXT}]

The :DISK:SAVe:LISTing command saves the listing window for digital buses to a disk. The listing window is only available on the 5483XD or MSO8000 series oscilloscopes when a digital bus is enabled.

<file\_name> A quoted ASCII string with a maximum of 254 characters including the entire path name, if used. The filename assumes the present working directory if a path does not precede the file name. The default path is C:\SCOPE\DATA.

---

**Example**           This example saves the digital list to LIST1 on the disk in the TSV format.

```
10 OUTPUT 707;":DISK:SAVe:LISTING "LIST1",TSV"  
20 END
```

---

---

## SAVe:MEASurements

**Command**                    :DISK:SAVe:MEASurements "<file\_name>"

The DISK:SAVe:MEASurements command saves the measurements shown in the measurements tab at the bottom of the oscilloscope screen in a comma separated variables (CSV) file format. The csv extension is supplied by the oscilloscope. The default path is C:\SCOPE\DATA.

<file\_name> A quoted ASCII string with a maximum of 254 characters including the entire path name, if used.

---

**Example**                    OUTPUT 707;":DISK:SAVE:MEASUREMENTS ""FILE1""

---

---

## SAVe:SETup

**Command**            :DISK:SAVe:SETup "<file\_name>"

The :DISK:SAVe:SETup command saves the current oscilloscope setup to a disk. The file will have a .set extension.

<file\_name> A quoted ASCII string with a maximum of 254 characters including the entire path name, if used. The filename assumes the present working directory if a path does not precede the file name. The default path is C:\SCOPE\SETUP.

---

**Example**

This example saves the channel 1 waveform to SETUP1 on the disk.

```
10 OUTPUT 707; :DISK:SAVe:SETUP " "SEUP1" " "  
20 END
```



---

## SAVe:WAVeform

**Command**           :DISK:SAVe:WAVeform  
 <source>, <file\_name> [ , <format> [ , <header> ] ]

The :DISK:SAVe:WAVeform command saves a waveform to a disk. If the source is ALL, all of the currently displayed waveforms are saved to the file. If you use a file extension as shown below in the <format> variable, then the type of file saved defaults to the extension type. If no format is specified and no extension is used, the file is saved in the INTERNAL format.

See the :WAVeform:VIEW command to determine how much data is saved.

<source> {ALL | BUS<N> | CHANnel<N> | CLOCK | FUNCTION<N> | HISTogram | MTRend | MSPectrum | POD1 | POD2 | PODALL | WMemory<N>}

The BUS<N>, POD1, POD2, and PODALL sources are only available on the 5483xD and MSO8000 series oscilloscopes.

MTRend and MSPectrum sources are only available if the oscilloscope has the EZJIT option installed and the feature is enabled.

The CLOCK source is only available if the oscilloscope has the High Speed Serial option installed and the feature is enabled.

<N> An integer, 1-4

POD1 Bits 0 through 7 of the digital channels only available on the 5483xD and MSO8000 series Infiniium oscilloscopes. Must use the BIN, CSV, INTERNAL, TSV, or TXT format.

POD2 Bits 8 through 15 of the digital channels only available on the 5483xD and MSO8000 series Infiniium oscilloscopes. Must use the BIN, CSV, INTERNAL, TSV, or TXT format.

PODALL Bits 0 through 15 of the digital channels only available on the 5483xD and MSO8000 series Infiniium oscilloscopes. Must use the BIN, CSV, INTERNAL, TSV, or TXT format.

<file\_name> A quoted ASCII string with a maximum of 254 characters including the entire path name, if used. The filename assumes the present working directory if a path does not precede the file name. The default path is C:\SCOPE\DATA.

<format> {BIN | CSV | INTERNAL | TSV | TXT}

CSV stands for comma separated values and TSV stands for tab separated values. BUS<N> can only be saved in the CSV, TSV, or TXT formats.

The following file name extensions are used for the different formats.

BIN = file\_name.bin

## Disk Commands

### SAVe:WAVEform

CSV = file\_name.csv  
INTernal = file\_name.wfm  
TSV = file\_name.tsv  
TXT = file\_name.txt

<header> {{ON | 1} | {OFF | 0}}

---

#### Example

This example saves the channel 1 waveform to FILE1 on the disk in the CSV format with header on.

```
10 OUTPUT 707; " :DISK:SAVE:WAVEFORM CHANNEL1, " " FILE1 " ", CSV, ON"  
20 END
```

---

---

## CSV, TSV and TXT Header Format

<b>Revision</b>	Always 0 (zero).
<b>Type</b>	How the waveform was acquired: normal, raw, interpolate, average, or versus. When this field is read back into the scope, all modes, except versus, are converted to raw. The default value is raw.
<b>Start</b>	Starting point in the waveform of the first data point in the file. This is usually zero.
<b>Points</b>	The number of points in the waveform record. The number of points is set by the Memory Depth control. The default value is 1.
<b>Count or Segments</b>	<p>For count, it is the number of hits at each time bucket in the waveform record when the waveform was created using an acquisition mode like averaging. For example, when averaging, a count of four would mean every waveform data point in the waveform record has been averaged at least four times. Count is ignored when it is read back into the scope. The default value is 0.</p> <p>Segments is used instead of Count when the data is acquired using the Segmented acquisition mode. This number is the total number of segments that were acquired.</p>
<b>XDispRange</b>	The number of X display range columns (n) depends on the number of sources being stored. The X display range is the X-axis duration of the waveform that is displayed. For time domain waveforms, it is the duration of time across the display. If the value is zero then no data has been acquired.

## Disk Commands

### CSV, TSV and TXT Header Format

<b>XDispOrg</b>	The number of X display origin columns (n) depends on the number of sources being stored. The X display origin is the X-axis value at the left edge of the display. For time domain waveforms, it is the time at the start of the display. This value is treated as a double precision 64-bit floating point number. If the value is zero then no data has been acquired.
<b>XInc</b>	The number of X increment columns (n) depends on the number of sources being store. The X increment is the duration between data points on the X axis. For time domain waveforms, this is the time between points. If the value is zero then no data has been acquired.
<b>XOrg</b>	The number of X origin columns (n) depends on the number of sources being store. The X origin is the X-axis value of the first data point in the data record. For time domain waveforms, it is the time of the first point. This value is treated as a double precision 64-bit floating point number. If the value is zero then no data has been acquired.
<b>XUnits</b>	The number of X units columns (n) depends on the number of sources being store. The X units is the unit of measure for each time value of the acquired data.
<b>YDispRange</b>	The number of Y display range columns (n) depends on the number of sources being store. The Y display range is the Y-axis duration of the waveform which is displayed. For voltage waveforms, it is the amount of voltage across the display. If the value is zero then no data has been acquired.
<b>YDispOrg</b>	The number of Y display origin columns (n) depends on the number of sources being store. The Y-display origin is the Y-axis value at the center of the display. For voltage waveforms, it is the voltage at the center of the display. If the value is zero then no data has been acquired.

<b>YInc</b>	The number of Y increment columns (n) depends on the number of sources being store. The Y increment is the duration between Y-axis levels. For voltage waveforms, it is the voltage corresponding to one level. If the value is zero then no data has been acquired.
<b>YOrg</b>	The number of Y origin columns (n) depends on the number of sources being store. The Y origin is the Y-axis value at level zero. For voltage waveforms, it is the voltage at level zero. If the value is zero then no data has been acquired.
<b>YUnits</b>	The number of Y units columns (n) depends on the number of sources being stored. The Y units is the unit of measure of each voltage value of the acquired waveform.
<b>Frame</b>	A string containing the model number and serial number of the scope in the format of MODEL#:SERIAL#.
<b>Date</b>	The date when the waveform was acquired. The default value is 27 DEC 1996.
<b>Time</b>	The time when the waveform was acquired. The default value is 01:00:00:00.
<b>Max bandwidth</b>	An estimation of the maximum bandwidth of the waveform. The default value is 0.
<b>Min bandwidth</b>	An estimation of the minimum bandwidth of the waveform. The default value is 0.
<b>Digital Source</b>	Shows the digital channels that were selected when the waveform was saved.
<b>Digital Activity</b>	Shows the digital channels that have activity on them. A 1 indicates that the digital channel has activity. A 0 indicates that the digital channel has no activity.
<b>Digital Enabled</b>	Shows the digital channels that are being displayed. A 1 indicates that the channel is being displayed. A 0 indicates that the channel is not being displayed.

**Disk Commands**  
**CSV, TSV and TXT Header Format**

<b>Time Tags</b>	The Time Tags only occur when the data was acquired using the Segmented acquisition mode with time tags enabled and the file format is TXT. The number of columns depends on the number of Segments being saved.
<b>Data</b>	The data values follow this header entry.

---

## BIN Header Format

### File Header

There is only one file header in a binary file. The file header consists of the following information.

<b>Cookie</b>	Two byte characters, AG, which indicates that the file is in the Agilent Binary Data file format.
<b>Version</b>	Two bytes which represent the file version.
<b>File Size</b>	An integer (4 byte signed) which is the number of bytes that are in the file.
<b>Number of Waveforms</b>	An integer (4 byte signed) which is the number of waveforms that are stored in the file.

### Waveform Header

The waveform header contains information about the type of waveform data that is stored following the waveform data header which is located after each waveform header. Because it is possible to store more than one waveform in the file, there will be a waveform header and a waveform data header for each waveform.

<b>Header Size</b>	An integer (4 byte signed) which is the number of bytes in the header.
<b>Waveform Type</b>	An integer (4 byte signed) which is the type of waveform that is stored in the file. The follow shows what each value means.  0 = Unknown 1 = Normal 2 = Peak Detect 3 = Average 4 = Horizontal Histogram 5 = Vertical Histogram 6 = Logic
<b>Number of Waveform Buffers</b>	An integer (4 byte signed) which is the number of waveform buffers required to read the data.

## Disk Commands

### BIN Header Format

This value is one except for peak detect data and digital data.

<b>Count</b>	An integer (4 byte signed) which is the number of hits at each time bucket in the waveform record when the waveform was created using an acquisition mode like averaging. For example, when averaging, a count of four would mean every waveform data point in the waveform record has been averaged at least four times. The default value is 0.
<b>X Display Range</b>	A float (4 bytes) which is the X-axis duration of the waveform that is displayed. For time domain waveforms, it is the duration of time across the display. If the value is zero then no data has been acquired.
<b>X Display Origin</b>	A double (8 bytes) which is the X-axis value at the left edge of the display. For time domain waveforms, it is the time at the start of the display. This value is treated as a double precision 64-bit floating point number. If the value is zero then no data has been acquired.
<b>X Increment</b>	A double (8 bytes) which is the duration between data points on the X axis. For time domain waveforms, this is the time between points. If the value is zero then no data has been acquired.
<b>X Origin</b>	A double (8 bytes) which is the X-axis value of the first data point in the data record. For time domain waveforms, it is the time of the first point. This value is treated as a double precision 64-bit floating point number. If the value is zero then no data has been acquired.



<b>X Units</b>	<p>An integer (4 byte signed) which is the number of X units columns (n) depends on the number of sources being store. The X units is the unit of measure for each time value of the acquired data. X unit definitions are:</p> <ul style="list-style-type: none"><li>0 = Unkown</li><li>1 = Volt</li><li>2 = Second</li><li>3 = Constant</li><li>4 = Amp</li><li>5 = Decibel</li></ul>
<b>Y Units</b>	<p>An integer (4 byte signed) which is the number of Y units columns (n) depends on the number of sources being store. The Y units is the unit of measure of each voltage value of the acquired waveform. Y units definitions are:</p> <ul style="list-style-type: none"><li>0 = Unkown</li><li>1 = Volt</li><li>2 = Second</li><li>3 = Constant</li><li>4 = Amp</li><li>5 = Decibel</li></ul>
<b>Date</b>	<p>A 16 character array which is the date when the waveform was acquired. The default value is 27 DEC 1996.</p>
<b>Time</b>	<p>A 16 character array which is the time when the waveform was acquired. The default value is 01:00:00:00.</p>
<b>Frame</b>	<p>A 24 character array which is the model number and serial number of the scope in the format of MODEL#:SERIAL#.</p>
<b>Waveform Label</b>	<p>A 16 character array which is the waveform label.</p>
<b>Time Tags</b>	<p>A double (8 bytes) which is the time tag value of the segment being saved.</p>

## Disk Commands

### BIN Header Format

<b>Segment Index</b>	An unsigned integer (4 byte signed) which is the segment index of the data that follows the waveform data header.
<b>Waveform Data Header</b>	The waveform data header consists of information about the waveform data points that are stored immediately after the waveform data header.
<b>Waveform Data Header Size</b>	An integer (4 byte signed) which is the size of the waveform data header.
<b>Buffer Type</b>	<p>A short (2 byte signed) which is the type of waveform data that is stored in the file. The following shows what each value means.</p> <ul style="list-style-type: none"><li>0 = Unknown data</li><li>1 = Normal 32 bit float data</li><li>2 = Maximum float data</li><li>3 = Minimum float data</li><li>4 = Time float data</li><li>5 = Counts 32 bit float data</li><li>6 = Digital unsigned 8 bit char data</li></ul>
<b>Bytes Per Point</b>	A short (2 byte signed) which is the number of bytes per data point.
<b>Buffer Size</b>	An integer (4 byte signed) which is the size of the buffer required to hold the data bytes.

### Example Program for Reading Binary Data

The following is a programming example of reading a Binary Data (.bin) file and converting it to an XYPairs (.csv) file without a file header.

```
#include <stdio.h>
#include <stdlib.h>
#include <string.h>
//*****
//
// Description: This file is broken into three sections
// Section 1: Data Structures to describe Infinium Public Waveform File
// Section 2: Functions to correctly read .bin files
// Section 3: Functions to convert a .bin file to .csv file
//*****
//
// Description: Structures and Enumerations to describe Infinium
// Public Waveform File - using these structures assumes
// a 32-Bit x86 Compiler
//

typedef struct
{
    char Cookie[2];
    char Version[2];
    int FileSize;
    int NumberOfWaveforms;
} tPBFileHeader;

const char PB_COOKIE[2] = {'A', 'G'};
const char PB_VERSION[2] = {'1', '0'};

#define DATE_TIME_STRING_LENGTH 16
#define FRAME_STRING_LENGTH 24
#define SIGNAL_STRING_LENGTH 16

typedef struct
{
    int HeaderSize;
    int WaveformType;
    int NWaveformBuffers;
    int Points;
    int Count;
    float XDisplayRange;
    double XDisplayOrigin;
    double XIncrement;
    double XOrigin;
    int XUnits;
    int YUnits;
    char Date[DATE_TIME_STRING_LENGTH];
```

## Disk Commands

### BIN Header Format

```
char    Time[DATE_TIME_STRING_LENGTH];
char    Frame[FRAME_STRING_LENGTH];
char    WaveformLabel[SIGNAL_STRING_LENGTH];
double  TimeTag;
unsigned int SegmentIndex;
} tPBWaveformHeader;
typedef struct
{
    int    HeaderSize;
    short  BufferType;
    short  BytesPerPoint;
    int    BufferSize;
} tPBWaveformDataHeader;

typedef enum
{
    PB_UNKNOWN,
    PB_NORMAL,
    PB_PEAK_DETECT,
    PB_AVERAGE,
    PB_HORZ_HISTOGRAM,
    PB_VERT_HISTOGRAM,
    PB_LOGIC
} ePBWaveformType;

typedef enum
{
    PB_DATA_UNKNOWN,
    PB_DATA_NORMAL,
    PB_DATA_MAX,
    PB_DATA_MIN,
    PB_DATA_TIME,
    PB_DATA_COUNTS,
    PB_DATA_LOGIC
} ePBDataType;
```

```

//*****
// Description: The next set of functions:
//     ReadWaveformHeader
//     ReadWaveformDataHeader
//     ReadLogicWaveform
//     ReadAnalogWaveform
//     ReadHistogramWaveform
//     IgnoreWaveformData
//
// Demonstrate how to correctly read the Infinium Public Waveform file with an
// eye to compatibility with future format changes.
// Returns 0 if unsuccessful.

int ReadWaveformHeader(FILE* inputFile, tPBWaveformHeader* waveformHeader)
{
    char* headerBuffer;
    int success, headerSize;
    // Assume we'll fail
    success = 0;
    if (waveformHeader)
    {
        // read in header size
        headerSize = 0;
        fread(&headerSize, 1, sizeof(headerSize), inputFile);
        // create header buffer
        headerBuffer = (char*) malloc(headerSize);
        if (headerBuffer)
        {
            // rewind back the headerSize
            fseek(inputFile, - (int)(sizeof(headerSize)), SEEK_CUR);
            // Now read in the entire header
            fread(headerBuffer, 1, headerSize, inputFile);
            // Now set dataHeader from headerBuffer
            // any extra information stored in the file
            // will be ignored
            memcpy((char*) waveformHeader, headerBuffer, sizeof(tPBWaveformHeader));
            success = 1;
            // Just in case WaveformType has been enhanced
            if (waveformHeader->WaveformType > PB_LOGIC)
            {
                waveformHeader->WaveformType = PB_UNKNOWN;
            }
            // Done with headerBuffer
            free(headerBuffer);
        }
    }
    return success;
}

```

## Disk Commands

### BIN Header Format

```
// Returns 0 if not successful

int ReadWaveformDataHeader(FILE* inputFile,
                           tPBWaveformDataHeader* dataHeader)
{
    char* headerBuffer;
    int success, headerSize;
    // Assume we'll fail
    success = 0;
    if (dataHeader)
    {
        // read in header size
        headerSize = 0;
        fread(&headerSize, 1, sizeof(headerSize), inputFile);
        // create header buffer
        headerBuffer = (char*) malloc(headerSize);
        if (headerBuffer)
        {
            // rewind back the headerSize
            fseek(inputFile, - (int)(sizeof(headerSize)), SEEK_CUR);
            // Now read in the entire header
            fread(headerBuffer, 1, headerSize, inputFile);
            // Now set dataHeader from headerBuffer
            // any extra information stored in the file
            // will be ignored
            memcpy((char*) dataHeader, headerBuffer, sizeof(tPBWaveformDataHeader));
            success = 1;
            // Just in case WaveformType has been enhanced
            if (dataHeader->BufferType > PB_DATA_LOGIC)
            {
                dataHeader->BufferType = PB_DATA_UNKNOWN;
            }
            // Done with headerBuffer
            free(headerBuffer);
        }
    }
    return success;
}
```

```

// Returns a buffer pointing the logic data read in if successful
// the client will be resposnible for freeing the buffer

unsigned char* ReadLogicWaveform(FILE* inputFile,
                                const tPBWaveformHeader* waveformHeader)
{
    tPBWaveformDataHeader dataHeader;
    unsigned char* pLogicData = NULL;
    if (ReadWaveformDataHeader(inputFile, &dataHeader) && waveformHeader)
    {
        // Make sure everything is the expected format
        int actualNumberOfPoints;
        actualNumberOfPoints = dataHeader.BufferSize / dataHeader.BytesPerPoint;
        if ((dataHeader.BytesPerPoint == 1) &&
            (dataHeader.BufferType == PB_DATA_LOGIC) &&
            (actualNumberOfPoints == waveformHeader->Points))
        {
            // Now let's read in the logic data
            pLogicData =(unsigned char*) malloc(dataHeader.BufferSize);
            if (pLogicData)
            {
                fread(pLogicData, 1, dataHeader.BufferSize, inputFile);
            }
        }
        if (pLogicData == NULL)
        {
            // ignore dataHeader.BufferSize because we either
            // did not allocate LogicData or we do not
            // recognize the data format
            fseek(inputFile, dataHeader.BufferSize, SEEK_CUR);
        }
    }
    return pLogicData;
}

```

## Disk Commands

### BIN Header Format

```
// If bufferType != NULL, bufferType will be set.
// Returns a buffer with the analog data read in if successful
// the client will be responsible for freeing the buffer.

float* ReadAnalogWaveform(FILE* inputFile,
                          const tPBWaveformHeader* waveformHeader,
                          ePBDataType* bufferType)
{
    tPBWaveformDataHeader dataHeader;
    float* pWaveformData = NULL;
    if (ReadWaveformDataHeader(inputFile, &dataHeader) && waveformHeader)
    {
        // Make sure everything is the expected format
        int actualNumberOfPoints;
        int validDataType;
        actualNumberOfPoints = dataHeader.BufferSize / dataHeader.BytesPerPoint;
        validDataType = (dataHeader.BufferType == PB_DATA_NORMAL) ||
                       (dataHeader.BufferType == PB_DATA_MIN) ||
                       (dataHeader.BufferType == PB_DATA_MAX);
        if (bufferType != NULL)
        {
            *bufferType = dataHeader.BufferType;
        }
        if ((dataHeader.BytesPerPoint == 4) && validDataType &&
            (actualNumberOfPoints == waveformHeader->Points))
        {
            // Now let's read in the data
            pWaveformData = (float*) malloc(dataHeader.BufferSize);
            if (pWaveformData)
            {
                fread(pWaveformData, 1, dataHeader.BufferSize, inputFile);
            }
        }
        if (pWaveformData == NULL)
        {
            // ignore dataHeader.BufferSize because we either
            // did not allocate WaveformData or we do not
            // recognize the data format
            fseek(inputFile, dataHeader.BufferSize, SEEK_CUR);
            if (bufferType != NULL)
            {
                *bufferType = PB_DATA_UNKNOWN;
            }
        }
    }
    return pWaveformData;
}
```



```
// Returns a buffer with the histogram counts data read in if successful
// the client will be responsible for freeing the buffer

int* ReadHistogramWaveform(FILE* inputFile,
                           const tPBWaveformHeader* waveformHeader)
{
    int* pHistogramData = NULL;
    tPBWaveformDataHeader dataHeader;
    if (ReadWaveformDataHeader(inputFile, &dataHeader) && waveformHeader)
    {
        // Make sure everything is the expected format
        int actualNumberOfPoints;
        actualNumberOfPoints = dataHeader.BufferSize / dataHeader.BytesPerPoint;
        if ((dataHeader.BytesPerPoint == 4) &&
            (dataHeader.BufferType == PB_DATA_COUNTS) &&
            (actualNumberOfPoints == waveformHeader->Points))
        {
            // Now let's read in the histogram count data
            int* pHistogramData =(int*) malloc(dataHeader.BufferSize);
            if (pHistogramData)
            {
                fread(pHistogramData, 1, dataHeader.BufferSize, inputFile);
            }
        }
        if (pHistogramData == NULL)
        {
            // ignore dataHeader.BufferSize because we either
            // did not allocate pHistogramData or we do not
            // recognize the data format
            fseek(inputFile, dataHeader.BufferSize, SEEK_CUR);
        }
    }
    return pHistogramData;
}
```

## Disk Commands

### BIN Header Format

```
// Moves the file forward past the current waveform data record
// including the data described.
// Returns 0 if not successful

int IgnoreWaveformData(FILE* inputFile)
{
    int success = 0;
    tPBWaveformDataHeader dataHeader;
    if (ReadWaveformDataHeader(inputFile, &dataHeader))
    {
        fseek(inputFile, dataHeader.BufferSize, SEEK_CUR);
        success = 1;
    }
    return success;
}
//*****
//
// Description: The next set of functions demonstrate how to use the above
// functions of waveformHeader to generate a CSV file suitable for reading
// into a spreadsheet application
//
double ComputeTimeFromIndex(int index, const tPBWaveformHeader* waveformHeader)
{
    return ((double) index * waveformHeader->XIncrement) + waveformHeader->XOrigin;
}

int OutputNormalData(FILE* inputFile,
                    const tPBWaveformHeader* waveformHeader,
                    FILE* outputFile)
{
    int success = 0;
    float* waveformData = ReadAnalogWaveform(inputFile, waveformHeader, NULL);
    if (waveformData)
    {
        // Output Time and Voltage Data
        int i;
        for (i = 0; i < waveformHeader->Points; ++i)
        {
            double time = ComputeTimeFromIndex(i, waveformHeader);
            fprintf(outputFile, "%e, %f\n", time, waveformData[i]);
        }
        success = 1;
        // Client is responsible for cleanup
        free(waveformData);
    }
    return success;
}
```

```

int OutputLogicData(FILE* inputFile,
                    const tPBWaveformHeader* waveformHeader,
                    FILE* outputFile)
{
    int success = 0;
    if (waveformHeader->NWaveformBuffers == 2)
    {
        // Two Pods stored
        unsigned char* podData1 = ReadLogicWaveform(inputFile, waveformHeader);
        unsigned char* podData2 = ReadLogicWaveform(inputFile, waveformHeader);
        if (podData1 && podData2)
        {
            // Output Time and Logic Data
            int i;
            for (i = 0; i < waveformHeader->Points; ++i)
            {
                double time = ComputeTimeFromIndex(i, waveformHeader);
                fprintf(outputFile, "%e, %x%x\n", time, podData2[i], podData1[i]);
            }
            success = 1;
            // Client is responsible for freeing memory
            free(podData1);
            free(podData2);
        }
    }
    else
    {
        // Only a single pod
        unsigned char* podData = ReadLogicWaveform(inputFile,
                                                    waveformHeader);

        if (podData)
        {
            // Output Time and Logic Data
            int i;
            for (i = 0; i < waveformHeader->Points; ++i)
            {
                double time = ComputeTimeFromIndex(i, waveformHeader);
                fprintf(outputFile, "%e, %x\n", time, podData[i]);
            }
            success = 1;
            // Client is responsible for freeing memory
            free(podData);
        }
    }
    return success;
}

```

## Disk Commands

### BIN Header Format

```
int OutputHistogramData(FILE* inputFile,
                        const tPBWaveformHeader* waveformHeader,
                        FILE* outputFile)
{
    int success = 0;
    int* histogramData = ReadHistogramWaveform(inputFile, waveformHeader);
    if (histogramData)
    {
        // Output Time and Count Data
        int i;
        for (i = 0; i < waveformHeader->Points; ++i)
        {
            double time = ComputeTimeFromIndex(i, waveformHeader);
            fprintf(outputFile, "%e, %i\n", time, histogramData[i]);
        }
        success = 1;
        // Client is responsible for cleanup
        free(histogramData);
    }
    return success;
}
```

```
int OutputPeakDetectData(FILE* inputFile,
                        const tPBWaveformHeader* waveformHeader,
                        FILE* outputFile)
{
    int    success = 0;
    float* minData;
    float* maxData;
    float* tempData;
    ePBDataType bufferType;
    minData = maxData = NULL;
    tempData = ReadAnalogWaveform(inputFile, waveformHeader, &bufferType);
    if (bufferType == PB_DATA_MIN)
    {
        minData = tempData;
        maxData = ReadAnalogWaveform(inputFile, waveformHeader, &bufferType);
    }
    else if (bufferType == PB_DATA_MAX)
    {
        maxData = tempData;
        minData = ReadAnalogWaveform(inputFile, waveformHeader, &bufferType);
    }
    if (maxData && minData)
    {
        // Output Time and Voltage Data
        int i;
        for (i = 0; i < waveformHeader->Points; ++i)
        {
            double time = ComputeTimeFromIndex(i, waveformHeader);
            fprintf(outputFile, "%e, %f, %f\n", time, minData[i], maxData[i]);
        }
        success = 1;
    }
    // Client is responsible for cleanup
    free(minData);
    free(maxData);
    return success;
}
```

## Disk Commands

### BIN Header Format

```
void OutputSummary(const tPBWaveformHeader* waveformHeader, FILE* outputFile)
{
    static const char* waveformTable[] =
    {
        "PB_UNKNOWN",
        "PB_NORMAL",
        "PB_PEAK_DETECT",
        "PB_AVERAGE",
        "PB_HORZ_HISTOGRAM",
        "PB_VERT_HISTOGRAM",
        "PB_LOGIC"
    };
    fprintf(outputFile, "%s, %s, ",
            waveformHeader->WaveformLabel,
            waveformTable[ waveformHeader->WaveformType]);
    // Segmented Memory waveforms will have a SegmentIndex > 1
    if (waveformHeader->SegmentIndex > 0)
    {
        fprintf(outputFile, "%d, ", waveformHeader->SegmentIndex);
    }
    fprintf(outputFile, "%d, %s, %s, %s\n",
            waveformHeader->Points,
            waveformHeader->Frame,
            waveformHeader->Date,
            waveformHeader->Time);
}
```

```
int SummarizeWaveform(FILE* inputFile, FILE* outputFile)
{
    int success = 0;
    int w;
    tPEWaveformHeader waveformHeader;
    if (ReadWaveformHeader(inputFile, &waveformHeader))
    {
        // write out basic summary
        OutputSummary(&waveformHeader, outputFile);
        // ignore the waveform data
        for (w = 0; w < waveformHeader.NWaveformBuffers; ++w)
        {
            success = IgnoreWaveformData(inputFile);
        }
    }
    return success;
}
```

```

int OutputWaveform(FILE* inputFile, FILE* outputFile)
{
    int success = 0;
    int w;
    tPBWaveformHeader waveformHeader;
    if (ReadWaveformHeader(inputFile, &waveformHeader))
    {
        // write out basic summary
        //OutputSummary(&waveformHeader, outputFile);
        // write out waveform data
        switch(waveformHeader.WaveformType)
        {
            case PB_NORMAL:
            case PB_AVERAGE:
                success = OutputNormalData(inputFile, &waveformHeader, outputFile);
                break;
            case PB_PEAK_DETECT:
                success = OutputPeakDetectData(inputFile, &waveformHeader, outputFile);
                break;
            case PB_HORZ_HISTOGRAM:
            case PB_VERT_HISTOGRAM:
                success = OutputHistogramData(inputFile, &waveformHeader, outputFile);
                break;
            case PB_LOGIC:
                success = OutputLogicData(inputFile, &waveformHeader, outputFile);
                break;
            default:
            case PB_UNKNOWN:
                for(w = 0; w < waveformHeader.NWaveformBuffers; ++w)
                {
                    IgnoreWaveformData(inputFile);
                }
                break;
        }
    }
    return success;
}

```



```

int main(int argc, char** argv)
{
    FILE* inputFile;
    if (argc < 2)
    {
        printf("binToAscii <input file> <output file 1> ... <output file n>\n");
        return 0;
    }
    inputFile = fopen(argv[1], "rb");
    if (inputFile)
    {
        tPBFileHeader fileHeader;
        fread((char*) &fileHeader, 1, sizeof(fileHeader), inputFile);
        // verify cookie
        if (fileHeader.Cookie[0] == PB_COOKIE[0] &&
            fileHeader.Cookie[1] == PB_COOKIE[1])
        {
            int w;
            if ((argc - 2) < fileHeader.NumberOfWaveforms)
            {
                // Not enough output files were provided
                // Use stdout to summarize input file
                printf("Infinium Public Waveform File version %c.%c\n",
                    fileHeader.Version[0],
                    fileHeader.Version[1]);
                for (w = 0; w < fileHeader.NumberOfWaveforms; ++w)
                {
                    SummarizeWaveform(inputFile, stdout);
                }
            }
            else
            {
                for (w = 0; w < fileHeader.NumberOfWaveforms; ++w)
                {
                    FILE* outputFile = fopen(argv[w + 2], "w");
                    if (outputFile)
                    {
                        OutputWaveform(inputFile, outputFile);
                        fclose(outputFile);
                    }
                    else
                    {
                        printf("Unable to open %s\n", argv[w + 2]);
                    }
                }
            }
        }
    }
    else

```

## Disk Commands

### BIN Header Format

```
    {
        printf("Invalid Infiniium Public Waveform File\n");
    }
    fclose(inputFile);
}
else
{
    printf("Unable to open %s\n", argv[1]);
}
return 0;
}
```

---

## SEGmented

**Command**            :DISK:SEGmented {ALL | CURRent}

The :DISK:SEGmented command sets whether all segments or just the current segment are saved to a file when the :DISK:STORE command is issued and the source is a channel but not a waveform memory or function. Before segments can be saved, the :ACQUIRE:MODE must be set to the SEGmented mode and segments must be acquired.

---

**Example**            This example sets the disk segmented memory store method to CURRent.

```
10 OUTPUT 707; ":DISK:SEGMENTED CURRENT"  
20 END
```

---

**Query**             :DISK:SEGmented?

The :DISK:SEGmented? query returns disk segmented memory store method value.

**Returned Format**    [:DISK:SEGmented] {ALL | CURRent}<NL>

---

**Example**            This example places the disk store method in the string variable Method\$, then prints the contents of the variable to the computer's screen.

```
10 DIM Method$[200]  
20 OUTPUT 707; ":DISK:SEGMENTED?"  
30 ENTER 707; Method$  
40 PRINT Method$  
50 END
```

---

---

## STORe (Obsolete)

**This command is obsolete but is provided to reduce rework for existing systems and programs. Obsolete commands are not guaranteed to remain in future product releases. New systems and programs should use the following new commands.**

**:SAVe:SETup  
:SAVe:WAVeform**

**Command**           :DISK:STORe {<source> | POD1 | POD2 |  
                  PODALL}, "<file\_name>" [,<format>]

The :DISK:STORe command saves a setup or a waveform to a disk. The filename does not include a suffix. The suffix is supplied by the oscilloscope, depending on the source and file format specified. The :WAVEform:VIEW command determines the maximum range of waveform data that can be saved to a file. See the :WAVEform:VIEW command for more information.

<source> {CHANnel<N> | FUNCTION<N> | HISTogram | WMEMory<N> | SETup}

<N> For CHANnel<N>:

    An integer, 1 - 2, for two channel Infiniium Oscilloscope.

    An integer, 1 - 4, for all other Infiniium Oscilloscope models.

For FUNCTION<N> and WMEM<N>:

    An integer, 1 - 4, representing the function or waveform memory number.

POD1 Bits 0 through 7 of the digital channels only available on the 5483xD Infiniium oscilloscopes. Must use the TEXT format.

POD2 Bits 8 through 15 of the digital channels only available on the 5483xD Infiniium oscilloscopes. Must use the TEXT format.

PODALL Bits 0 through 15 of the digital channels only available on the 5483xD Infiniium oscilloscopes. Must use the TEXT format.

<file\_name> A quoted ASCII string with a maximum of 254 characters including the entire path name, if used. The filename assumes the present working directory if a path does not precede the file name. The default path for the SETup source is C:\SCOPE\SETUPS. The default path for all other sources is C:\SCOPE\DATA.

<format> {INTernal}

or

{TEXT {,YVALues | VERBose | XYPairs | CSV | BIN |  
TSV[,<preamble>[,<start>[,<size>]]]]}

<preamble> {ON | OFF}

<start> An integer value which is the starting point in memory where you want the STORe command to begin saving data to a file. The minimum value is 0 and the maximum value depends on the maximum memory depth.

<size> An integer value which is the amount of data in memory that you want to save to a file. The minimum value is 0 and the maximum value depends on the maximum memory depth.

---

**Example**

This example stores the current oscilloscope setup to FILE1 on the disk.

```
10 OUTPUT 707; ":DISK:STORE SETUP, " "FILE1" " " "  
20 END
```

---

**Disk Commands**  
**STORe (Obsolete)**



---

# Display Commands

The DISPLAY subsystem controls the display of data, text, and graticules, and the use of color.

These DISPLAY commands and queries are implemented in the Infiniium Oscilloscopes:

- CGRade
- CGRade:LEVels?
- COLumn
- CONNect
- DATA?
- DCOLor (Default COLor)
- GRATicule
- LABel
- LINE
- PERSistence
- ROW
- SCOLor (Set COLor)
- STRing
- TEXT



---

## CGRade

**Command**           :DISPlay:CGRade {{ON | 1 | CG} | {OFF | 0 | N}}

The :DISPlay:CGRade command sets the color grade persistence on or off. When in the color grade persistence mode, all waveforms are mapped into a database and shown with different colors representing varying number of hits in a pixel. "Connected dots" display mode (:DISPlay:CONNEct) is disabled when the color grade persistence is on.

The oscilloscope has three features that use a specific database. This database uses a different memory area than the waveform record for each channel. The three features that use the database are histograms, mask testing, and color grade persistence. When any one of these three features is turned on, the oscilloscope starts building the database. The database is the size of the graticule area and varies in size. Behind each pixel is a 21-bit counter. Each counter is incremented each time a pixel is hit by data from a channel or function. The maximum count (saturation) for each counter is 2,097,151. You can check to see if any of the counters is close to saturation by using the DISPlay:CGRade:LEVels? query. The color grade persistence uses colors to represent the number of hits on various areas of the display. The default color-grade state is off.

---

### Example

This example sets the color grade persistence on.

```
10 OUTPUT 707;" :DISPLAY:CGRADe ON"
20 END
```

---

## Display Commands

### CGRade

**Query**                   :DISPlay:CGRade?

The DISPlay:CGRade query returns the current color-grade state.

**Returned Format**       [:DISPlay:CGRade] {CG | N}<NL>

---

**Example**               This example returns the current color grade state.

```
10 DIM Setting$[50]                   !Dimension variable
20 OUTPUT 707;" :DISPLAY:CGRADe?"
30 ENTER 707;Cgrade$
40 PRINT Cgrade$
50 END
```

---

---

## CGRade:LEVels?

**Query**                   :DISPlay:CGRade:LEVels?

The :DISPlay:CGRade:LEVels? query returns the range of hits represented by each color. Fourteen values are returned, representing the minimum and maximum count for each of seven colors. The values are returned in the following order:

- White minimum value
- White maximum value
- Yellow minimum value
- Yellow maximum value
- Orange minimum value
- Orange maximum value
- Red minimum value
- Red maximum value
- Pink minimum value
- Pink maximum value
- Blue minimum value
- Blue maximum value
- Green minimum value
- Green maximum value

**Returned Format**       [DISPlay:CGRade:LEVels] <color format><NL>

<color format> <intensity color min/max> is an integer value from 0 to 2,076,151

## Display Commands

### CGRade:LEvels?

---

#### Example

This example gets the range of hits represented by each color and prints it on the computer screen:

```
10 DIM Setting$(50)           !Dimension variable
20 OUTPUT 707;" :DISPLAY:CGRAD:LEVELS?"
30 ENTER 707;Cgrade$
40 PRINT Cgrade$
50 END
```

Colors start at green minimum, maximum, then blue, pink, red, orange, yellow, white. The format is a string where commas separate minimum and maximum values. The largest number in the string can be 2,076,151

An example of a possible returned string is as follows:

```
1,414,415,829,830,1658,1659,3316,3317,6633,6634,13267,13268,26535
```

---

---

## COLUMN

**Command**                   :DISPlay:COLumn <column\_number>

The :DISPlay:COLumn command specifies the starting column for subsequent :DISPlay:STRing and :DISPlay:LINE commands.

<column\_number> An integer representing the starting column for subsequent :DISPlay:STRing and :DISPlay:LINE commands. The range of values is 0 to 90.

---

**Example**                   This example sets the starting column for subsequent :DISPlay:STRing and :DISPlay:LINE commands to column 10.

```
10  OUTPUT 707; ":DISPLAY: COLUMN 10"
20  END
```

---

**Query**                     :DISPlay:COLumn?

The :DISPlay:COLumn? query returns the column where the next :DISPlay:LINE or :DISPlay:STRing starts.

**Returned Format**       [:DISPlay:COLumn] <value><NL>

---

**Example**                   This example returns the current column setting to the string variable, Setting\$, then prints the contents of the variable to the computer's screen.

```
10  DIM Setting$[50]!Dimension variable
20  OUTPUT 707; ":DISPLAY: COLUMN?"
30  ENTER 707;Setting$
40  PRINT Setting$
50  END
```

---

---

## CONNect

**Command**           :DISPlay:CONNect {{ON|1} | {OFF|0}}

When enabled, :DISPlay:CONNect draws a line between consecutive waveform data points. This is also known as linear interpolation. :DISPlay:CONNect is force to off when color grade (:DISPlay:CGRade) persistence is on.

---

**Example**           This example turns on the connect-the-dots feature.

```
10  OUTPUT 707; ":DISPLAY:CONNECT ON"  
20  END
```

---

**Query**             :DISPlay:CONNect?

The :DISPlay:CONNect? query returns the status of the connect-the-dots feature.

**Returned Format**   [:DISPlay:CONNect] {1 | 0}<NL>

---

## DATA?

**Query**                   :DISPlay:DATA?  
                           [<type>[,<screen\_mode>[,<compression>  
                           [,<inversion>]]]]

The :DISPlay:DATA? query returns information about the captured data. If no options to the query are specified, the default selections are BMP file type, SCReen mode, compression turned ON, and inversion set to NORMAl.

<type>   The bitmap type: BMP | JPG | GIF | TIF | PNG.

<screen\_mode>   The display setting: SCReen | GRATicule. Selecting GRATicule displays a 10-by-8 (unit) display graticule on the screen. See also :DISPlay:GRATicule.

<compression>   The file compression feature: ON | OFF.

<inversion>   The inversion of the displayed file: NORMAl | INVert.

**Returned Format**       [:DISPlay:DATA] <binary\_block\_data><NL>

<binary\_block\_data>   Data in the IEEE 488.2 definite block format.

---

## DCOLor

**Command**           :DISPlay:DCOLor [<color\_name>]

The :DISPlay:DCOLor command resets the screen colors to the predefined factory default colors. It also resets the grid intensity.

<color\_name> {CGLevel1 | CGLevel2 | CGLevel3 | CGLevel4 | CGLevel5  
| CGLevel6 | CGLevel7 | CHANnel1 | CHANnel2 | CHANnel3  
| CHANnel4 | DBACKgrnd | GRID | MARKers  
| MEASurements | MIconSCGLevel1 | MTPolygons  
| STExT | WBACKgrnd | TINPuts | WOverlap | TSCale  
| WMEMories | WINText | WINBackgrnd}

---

**Example**           This example sends the :DISPlay:DCOLor command.

```
10  OUTPUT 707; ":DISPLAY:DCOLOR"  
20  END
```

---



---

## GRATICule

### Commands

```
:DISPlay:GRATICule {GRID | FRAME}
:DISPlay:GRATICule:INTensity <intensity_value>
:DISPlay:GRATICule:NUMBer {1 | 2 | 4}
:DISPlay:GRATICule:SIZE {EXTended | MAXimized |
STANdard}
```

The :DISPlay:GRATICule command selects the type of graticule that is displayed. Infiniium oscilloscopes have a 10-by-8 (unit) display graticule grid (GRID), a grid line is place on each vertical and horizontal division. When it is off (FRAME), a frame with tic marks surrounds the graticule edges.

You can dim the grid's intensity or turn the grid off to better view waveforms that might be obscured by the graticule lines using the

:DISPlay:GRATICule:INTensity command. Otherwise, you can use the grid to estimate waveform measurements such as amplitude and period.

The :DISPlay:GRATICule:NUMBer command changes the number of graticule viewing areas. When 2 or 4 is selected, the waveform viewing area is divided into 2 or 4 separate graticule areas, respectively.

The :DISPlay:GRATICule:SIZE command allows you to change the size of the graticule waveform viewing area by decreasing or increasing the size of the tab area at the bottom of the screen.

When printing, the grid intensity control does not affect the hard copy. To remove the grid from a printed hard copy, you must turn off the grid before printing.

<intensity\_value> A integer from 0 to 100, indicating the percentage of grid intensity.

You can divide the waveform viewing area from one area into two or four separate viewing areas using the :DISPlay:GRATICule:NUMBer command. This allows you to separate waveforms without having to adjust the vertical position controls.

---

### Example

This example sets up the oscilloscope's display background with a frame that is separated into major and minor divisions.

```
10 OUTPUT 707; ":DISPLAY:GRATICULE FRAME"
20 END
```

## Display Commands

### GRATICule

#### Queries

```
:DISPlay:GRATicule?  
:DISPlay:GRATicule:INTensity?  
:DISPlay:GRATicule:NUMBer?  
:DISPlay:GRATicule:SIZE?
```

The :DISPlay:GRATicule?, :DISPlay:GRATicule:INTensity?, :DISPlay:GRATicule:NUMBer?, and :DISPlay:GRATicule:SIZE? queries return the type of graticule currently displayed, the intensity, the number of viewing areas, or the size of the graticule area of the screen, depending on the query you request.

#### Returned Format

```
[ :DISPlay:GRATicule ] { GRID | FRAME } <NL>  
[ :DISPlay:GRATicule:INTensity ] <value> <NL>  
[ :DISPlay:GRATicule:NUMBer ] { 1 | 2 | 4 } <NL>  
[ :DISPlay:GRATicule:SIZE ] { EXTended | MAXimized |  
STANdard } <NL>
```

---

#### Example

This example places the current display graticule setting in the string variable, Setting\$, then prints the contents of the variable to the computer's screen.

```
10 DIM Setting$[50]!Dimension variable  
20 OUTPUT 707; ":DISPLAY:GRATICULE?"  
30 ENTER 707;Setting$  
40 PRINT Setting$  
50 END
```

---

---

## LABel

**Command**                   :DISPlay:LABel {{ON | 1} | {OFF | 0}}

The :DISPlay:LABel command turns on or off the display of analog and digital channel labels. Label names can be up to 6 characters long. The label name is assigned by using one of the following commands:

<b>Bus label</b>	<b>:BUS&lt;N&gt;:LABel</b>
<b>Digital channel label</b>	<b>:DIGital&lt;N&gt;:LABel</b>
<b>Analog channel label</b>	<b>CHANnel&lt;N&gt;:LABel</b>

---

**Example**                   This example turns on the display of all labels.

```
10 OUTPUT 707; ":DISPLAY:LABEL ON"
20 END
```

---

**Query**                    :DISPlay:LABel?

The :DISPlay:LABel? query returns the current state of the labels.

**Returned Format**       [:DISPlay:LABel] {1 | 0}<NL>

---

**Example**                   This example places the current label state into the string variable Setting\$ variable, then prints the contents of the variable to the computer's screen.

```
10 DIM Setting$[50]!Dimension variable
20 OUTPUT 707; ":DISPLAY:LABEL?"
30 ENTER 707;Setting$
40 PRINT Setting$
50 END
```

---

---

**LINE**

**Command**           :DISPlay:LINE "<string\_argument>"

The :DISPlay:LINE command writes a quoted string to the screen, starting at the location specified by the :DISPlay:ROW and :DISPlay:COLumn commands. When using the C programming language, quotation marks as shown in the example delimit a string.

<string  
\_argument> Any series of ASCII characters enclosed in quotation marks.

---

**Example**

This example writes the message "Infinium Test" to the screen, starting at the current row and column location.

```
10 OUTPUT 707;:DISPLAY:LINE ""Infinium Test""
20 END
```

This example writes the message "Infinium Test" to the screen using C. Quotation marks are included because the string is delimited.

```
printf("\Infinium Test\");
```

---

You may write text up to column 94. If the characters in the string do not fill the line, the rest of the line is blanked. If the string is longer than the space available on the current line, the excess characters are discarded.

In any case, the ROW is incremented and the COLumn remains the same. The next :DISPlay:LINE command will write on the next line of the display. After writing the last line in the display area, the ROW is reset to 0.

---

## PERSistence

**Command**                   :DISPlay:PERSiStence {MINimum | INFinite}

The :DISPlay:PERSiStence command sets the display persistence. It works in both real time and equivalent time modes. The parameter for this command can be either MINimum (zero persistence) or INFinite.

---

**Example**                   This example sets the persistence to infinite.

```
10  OUTPUT 707; ":DISPLAY:PERSISTENCE INFINITE"
20  END
```

---

**Query**                     :DISPlay:PERSiStence?

The :DISPlay:PERSiStence? query returns the current persistence value.

**Returned Format**       [:DISPlay:PERSiStence] {MINimum | INFinite}<NL>

---

**Example**                   This example places the current persistence setting in the string variable, Setting\$, then prints the contents of the variable to the computer's screen.

```
10  DIM Setting$[50]!Dimension variable
20  OUTPUT 707; ":DISPLAY:PERSISTENCE?"
30  ENTER 707;Setting$
40  PRINT Setting$
50  END
```

---

---

## ROW

**Command**           :DISPlay:ROW <row\_number>

The :DISPlay:ROW command specifies the starting row on the screen for subsequent :DISPlay:STRing and :DISPlay:LINE commands. The row number remains constant until another :DISPlay:ROW command is received, or the row is incremented by the :DISPlay:LINE command.

<row\_number> An integer representing the starting row for subsequent :DISPlay:STRing and :DISPlay:LINE commands. The range of values 0 to 23.

---

**Example**           This example sets the starting row for subsequent :DISPlay:STRing and :DISPlay:LINE commands to 10.

```
10  OUTPUT 707; ":DISPLAY:ROW 10"  
20  END
```

---

**Query**             :DISPlay:ROW?

The :DISPlay:ROW? query returns the current value of the row.

**Returned Format**   [:DISPlay:ROW] <row\_number><NL>

---

**Example**           This example places the current value for row in the string variable, Setting\$, then prints the contents of the variable to the computer's screen.

```
10  DIM Setting$[50]!Dimension variable  
20  OUTPUT 707; ":DISPLAY:ROW?"  
30  ENTER 707;Setting$  
40  PRINT Setting$  
50  END
```

---

---

## SCOLor

**Command**           :DISPlay:SCOLor <color\_name>, <hue>, <saturation>, <luminosity>

The :DISPlay:SCOLor command sets the color of the specified display element and restores the colors to their factory settings. The display elements are described in Table 15-1.

```
<color_name> {CGLevel1 | CGLevel2 | CGLevel3 | CGLevel4 | CGLevel5
| CGLevel6 | CGLevel7 | CHANnel1 | CHANnel2 | CHANnel3
| CHANnel4 | DBACKgrnd | GRID | MARKers
| MEASurements | MICONs | MTPolygons
| STExT | WBACKgrnd | TINPuts | WOverlap | TSCale
| WMEMories | WINText | WINBackgrnd}
```

**Table 15-1**

**Color Names**

---

Color Name	Definition
<b>CGLevel1</b>	<b>Color Grade Level 1 waveform display element.</b>
<b>CGLevel2</b>	<b>Color Grade Level 2 waveform display element.</b>
<b>CGLevel3</b>	<b>Color Grade Level 3 waveform display element.</b>
<b>CGLevel4</b>	<b>Color Grade Level 4 waveform display element.</b>
<b>CGLevel5</b>	<b>Color Grade Level 5 waveform display element.</b>
<b>CGLevel6</b>	<b>Color Grade Level 6 waveform display element.</b>
<b>CGLevel7</b>	<b>Color Grade Level 7 waveform display element.</b>
<b>CHANnel1</b>	<b>Channel 1 waveform display element.</b>
<b>CHANnel2</b>	<b>Channel 2 waveform display element.</b>
<b>CHANnel3</b>	<b>Channel 3 waveform display element.</b>
<b>CHANnel4</b>	<b>Channel 4 waveform display element.</b>
<b>DBACKgrnd</b>	<b>Display element for the border around the outside of the waveform viewing area.</b>
<b>GRID</b>	<b>Display element for the grid inside the waveform viewing area.</b>
<b>MARKers</b>	<b>Display element for the markers.</b>
<b>MEASurements</b>	<b>Display element for the measurements text.</b>
<b>MICONs</b>	<b>Display element for measurement icons to the left of the waveform viewing area.</b>

---

## Display Commands

### SCOLor

Color Name	Definition
<b>STEXt</b>	<b>Display element for status messages displayed in the upper left corner of the display underneath the menu bar. Changing this changes the memory bar's color.</b>
<b>WBACKgrnd</b>	<b>Display element for the waveform viewing area's background.</b>
<b>TINPutS</b>	<b>Display element for line and aux menu entries on four channel oscilloscopes. On two channel oscilloscopes, it is the display element for line and external menu entries.</b>
<b>WOVerlap</b>	<b>Display element for waveforms when they overlap each other.</b>
<b>TSCale</b>	<b>Display element for horizontal scale and offset control text.</b>
<b>WMEMories</b>	<b>Display element for waveform memories.</b>
<b>WINText</b>	<b>Display element used in dialog box controls and pull-down menus.</b>
<b>WINBackgrnd</b>	<b>Display element for the background color used in dialog boxes and buttons.</b>

<hue> An integer from 0 to 100. The hue control sets the color of the chosen display element. As hue is increased from 0%, the color changes from red, to yellow, to green, to blue, to purple, then back to red again at 100% hue. For color examples, see the sample color settings table in the Infiniium Oscilloscope online help file. Pure red is 100%, pure blue is 67%, and pure green is 33%.

<saturation> An integer from 0 to 100. The saturation control sets the color purity of the chosen display element. The saturation of a color is the purity of a color, or the absence of white. A 100% saturated color has no white component. A 0% saturated color is pure white.

<luminosity> An integer from 0 to 100. The luminosity control sets the color brightness of the chosen display element. A 100% luminosity is the maximum color brightness. A 0% luminosity is pure black.

---

#### Example

This example sets the hue to 50, the saturation to 70, and the luminosity to 90 for the markers.

```
10 OUTPUT 707; ":DISPLAY:SCOLOR MARKERS, 50, 70, 90"  
20 END
```

---



**Query**                   :DISPlay:SCOLor? <color\_name>

The :DISPlay:SCOLor? query returns the hue, saturation, and luminosity for the specified color.

**Returned Format**       [:DISPlay:SCOLor] <color\_name>, <hue>, <saturation>,  
<luminosity><NL>

---

**Example**               This example places the current settings for the graticule color in the string variable, Setting\$, then prints the contents of the variable to the computer's screen.

```
10 DIM Setting$[50]!Dimension variable
20 OUTPUT 707;":DISPLAY:SCOLOR? GRATICULE"
30 ENTER 707;Setting$
40 PRINT Setting$
50 END
```

---

---

## STRing

**Command**           :DISPlay:STRing "<string\_argument>"

The :DISPlay:STRing command writes text to the oscilloscope screen. The text is written starting at the current row and column settings. If the column limit is reached, the excess text is discarded. The :DISPlay:STRing command does not increment the row value, but :DISPlay:LINE does.

<string\_argument> Any series of ASCII characters enclosed in quotation marks.

---

### Example

This example writes the message "Example 1" to the oscilloscope's display starting at the current row and column settings.

```
10 OUTPUT 707;:DISPLAY:STRING ""Example 1""  
20 END
```

---

## TEXT

**Command**                   :DISPlay:TEXT BLANK

The :DISPlay:TEXT command blanks the user text area of the screen.

---

**Example**

This example blanks the user text area of the oscilloscope's screen.

```
10 OUTPUT 707; ":DISPLAY:TEXT BLANK"  
20 END
```

---





---

# External Trigger Commands

**The EXTERNAL commands only apply to the two channel Infiniium Oscilloscope.**

The EXTERNAL trigger subsystem commands control the vertical, Y axis functions of the oscilloscope's external trigger. These EXTERNAL commands and queries are implemented in the Infiniium Oscilloscopes:

- BWLimit
- INPut
- PROBe
- PROBe:ATTenuation (only for the 1154A probe)
- PROBe:EADapter (only for the 1153A, 1154A, and 1159A probes)
- PROBe:ECoupling (only for the 1153A, 1154A and 1159A probes)
- PROBe:EXTErnal
- PROBe:EXTErnal:GAIN
- PROBe:EXTErnal:UNITs
- PROBe:GAIN (only for the 1154A probe)
- PROBe:ID?
- PROBe:SKEW
- RANGe
- UNITs

---

## BWLimit

**Command**                   :EXtErnal:BWLimit {{ON|1} | {OFF|0}}

The :EXtErnal:BWLimit command controls the low-pass filter. When ON, the bandwidth of the external trigger is limited. The bandwidth limit filter can be used with either AC or DC coupling.

---

**Example**                   This example sets the internal low-pass filter to "ON" for the external trigger.

```
10 OUTPUT 707;":EXTERNAL:BWLIMIT ON"
20 END
```

---

**Query**                     :EXtErnal:BWLimit?

The :EXtErnal:BWLimit? query returns the state of the low-pass filter for the external trigger.

**Returned Format**       [:EXtErnal:BWLimit] {1|0}<NL>

---

**Example**                   This example places the current setting of the low-pass filter in the variable Limit, then prints the contents of the variable to the computer's screen.

```
10 OUTPUT 707;":SYSTEM:HEADER OFF"
20 OUTPUT 707;":EXTERNAL:BWLIMIT?"
30 ENTER 707;Limit
40 PRINT Limit
50 END
```

---

---

## INPut

**Command**           :EXtErnal:INPut <parameter>

The :EXtErnal:INPut command selects the input coupling, impedance, and LF/HF reject for the external trigger. The coupling can be set to AC, DC, DC50 or DCFifty, or LFR1 or LFR2 (low-frequency reject).

LFR1 and LFR2 only apply if an 1153A probe is connected to the oscilloscope's External Trigger input. With an 1152A probe attached to the External Trigger input, the :EXtErnal:INPut command will not change either the coupling or impedance.

<parameter> The parameters available in this command for Infiniium are listed below.

- DC: dc coupling, 1 M $\Omega$  input impedance
- DC50 | DCFifty: dc coupling, 50 $\Omega$  input impedance
- AC: ac 1 M $\Omega$  input impedance
- LFR1 | LFR2: ac 1 M $\Omega$  input impedance

---

**Example**           This example sets the external trigger input to DC50.

```
10 OUTPUT 707; ":EXTERNAL:INPUT DC50"  
20 END
```

---

**Query**           :EXtErnal:INPut?

The :EXtErnal:INPut? query returns the state of the external trigger input.

**Returned Format**   [EXtErnal:INPut] <parameter><NL>

---

**Example**           This example places the current input for the external trigger in the string variable, Input\$. The program then prints the contents of the variable to the computer's screen.

```
10 OUTPUT 707; ":SYSTEM:HEADER OFF"  
20 OUTPUT 707; ":EXTERNAL:INPUT?"  
30 ENTER 707; Input$  
40 PRINT Input$  
50 END
```



---

## PROBe

**Command**           :EXtErnal:PROBE {<attenuation\_factor>,{RATio | DECibel}}

The :EXtErnal:PROBe command sets the probe attenuation factor for the User Defined Probe configuration in the Probe Setup dialog box and, optionally, the units for the probe attenuation factor. The range of the probe attenuation factor is from 0.0001 to 1,000 and from -80 dB to 60 dB. The reference factors that are used for scaling the display are changed with this command, and affect automatic measurements and trigger levels.

<attenuation\_factor> A real number from 0.0001 to 1,000, and -80 dB to 60 dB, representing the probe attenuation factor; the factor depends on the units.

---

**Example**           This example sets the probe attenuation factor of the external trigger to 10, and the units to decibel.

```
10  OUTPUT 707; ":EXTERNAL:PROBE 10,DEC"
20  END
```

---

**Query**             :EXtErnal:PROBe?

The :EXtErnal:PROBe? query returns the current probe attenuation setting for the external trigger and the units.

**Returned Format**   [:EXtErnal:PROBe] <attenuation\_factor>,{RATio | DECibel}<NL>

---

**Example**           This example places the current attenuation setting for the external trigger in the string variable, Atten\$, and prints the contents.

```
10  DIM Atten$[50]!Dimension variable
20  OUTPUT 707; ":EXTERNAL:PROBE?"
30  ENTER 707;Atten$
40  PRINT Atten$
50  END
```

---

---

## PROBe:ATTenuation

**Command**                   :EXtErnal:PROBe:ATTenuation {DIV1 | DIV10}

The :EXtErnal:PROBe:ATTenuation command sets the internal attenuation for the 1154A probe.

**This command is only available for the 1154A probe. If one of these probes is not connected to the external trigger you will get a Settings Conflict error.**

---

**Example**                   This example sets the probe attenuation to divide by 10.

```
10  OUTPUT 707; ":EXTERNAL:PROBE:ATTENUATION DIV10"  
20  END
```

---

**Query**                     :EXtErnal:PROBe:ATTenuation?

The :EXtErnal:PROBe:ATTenuation? query returns the current probe attenuation setting.

**Returned Format**       [:EXtErnal:PROBe:ATTenuation] {DIV1 | DIV10}<NL>

---

## PROBe:EADapter

**Command**                   :EXtErnal:PROBe:EADapter {NONE | DIV10 |  
 DIV20 | DIV100}

The :EXtErnal:EADapter command sets the Infiniium external adapter control. The 1153A, 1154A, and 1159A probes have external adapters that you can attach to the end of the probe. When you attach one of these adapters, you should use the EADapter command to set the external adapter control to match the adapter connected to your probe as follows.

Parameter	Description
<b>NONE</b>	<b>Use this setting when there is no adapter connected to the end of your probe.</b>
<b>DIV10</b>	<b>Use this setting when you have a divide by 10 adapter connected to the end of your probe.</b>
<b>DIV20</b>	<b>Use this setting when you have a divide by 20 adapter connected to the end of your probe. (1159A probe only)</b>
<b>DIV100</b>	<b>Use this setting when you have a divide by 100 adapter connected to the end of your probe. (1153A probe only)</b>

<p><b>This command is only available for the 1153A, 1154A, and 1159A probes. If one of these probes is not connected to the external trigger you will get a Settings Conflict error.</b></p>
--

---

**Example**                   This example sets the external adapter to divide by 10:

```
10 OUTPUT 707; ":EXTERNAL:PROBE:EADAPTER DIV10"
20 END
```

---

## External Trigger Commands

### PROBe:EADapter

**Query**                   :EXtErnal:PROBe:EADapter?

The :EXtErnal:PROBe:EADapter? query returns the external adapter value.

**Returned Format**       [EXtErnal:PROBe:EADapter] {NONE | DIV10 | DIV20 |  
DIV100}<NL>

---

**Example**               This example places the external adapter value in the string variable, Adapter\$, then prints the contents of the variable to the computer's screen.

```
10 DIM Adapter$[50]!Dimension variable
20 OUTPUT 707;":EXtErNAL:EADAPTER?
30 ENTER 707;Adapter$
40 PRINT Adapter$
50 END
```

---

---

## PROBe:ECoupling

**Command**                   :EXtErnal:PROBe:ECoupling {NONE | AC}

The :EXtErnal:PROBe:ECoupling command sets the Infiniium external coupling adapter control. There are some probes that have external coupling adapters that you can attach to the end of your probe. When you attach one of these adapters, you should use the ECoupling command to set the external coupling adapter control to match the adapter connected to your probe as follows.

Parameter	Description
<b>NONE</b>	<b>Use this setting when there is no adapter connected to the end of your probe.</b>
<b>AC</b>	<b>Use this setting when you have an ac coupling adapter connected to the end of your probe.</b>

**This command is only available for the 1153A, 1154A, and 1159A probes. If one of these probes is not connected to the external trigger you will get a Settings Conflict error.**

---

### Example

This example sets the external coupling adapter for external trigger to ac:

```
10 OUTPUT 707; " :EXTERNAL:PROBE:ECOUPLING AC "  
20 END
```

---

## External Trigger Commands

### PROBe:ECoupling

**Query**                   :EXtErnal:PROBe:ECoupling?

The :EXtErnal:PROBe:ECoupling? query returns the current external coupling adapter value for the external trigger.

**Returned Format**       [EXtErnal:PROBe:ECoupling] {NONE | AC}<NL>

---

**Example**               This example places the external coupling adapter value of the external trigger in the string variable, Adapter\$, then prints the contents of the variable to the computer's screen.

```
10 DIM Adapter$[50]!Dimension variable
20 OUTPUT 707;" :EXTERNAL:PROBE:ECOUPLING?
30 ENTER 707;Adapter$
40 PRINT Adapter$
50 END
```

---

---

## PROBe:EXtErnal

**rmmand**                   :EXtErnal:PROBe:EXtErnal {{ON|1} | {OFF|0}}

The :EXtErnal:PROBe:EXtErnal command sets the external probe mode to on or off.

---

**Example**                   This example sets external probe mode to on.

```
10 OUTPUT 707;"EXTERNAL:PROBE:EXTERNAL ON"  
20 END
```

---

**Query**                   :EXtErnal:PROBe:EXtErnal?

The :EXtErnal:PROBe:EXtErnal? query returns the current external probe mode for the external trigger.

**Returned Format**       [:EXtErnal:PROBe:EXtErnal] {1|0}<NL>

---

**Example**                   This example places the current setting of the external probe mode on the external trigger in the variable Mode, then prints the contents of the variable to the computer's screen.

```
10 OUTPUT 707;"SYSTEM:HEADER OFF"  
20 OUTPUT 707;" :EXTERNAL:PROBE:EXTERNAL?"  
30 ENTER 707;Mode  
40 PRINT Mode  
50 END
```

---

---

## PROBe:EXTeRnal:GAIN

**Command**           :EXTeRnal:PROBe:EXTeRnal:GAIN <gain\_factor> [, {RATio  
| DECibel}]

**:EXTeRnal:PROBe:EXTeRnal command must be set to ON before issuing this command or query or this command will have no effect.**

The :EXTeRnal:PROBe:EXTeRnal:GAIN command sets the probe external scaling gain factor and, optionally, the units for the probe gain factor. The reference factors that are used for scaling the display are changed with this command, and affect automatic measurements and trigger levels.

The RATio or DECibel also sets the mode for the probe attenuation and also determines the units that may be used for a subsequent command. For example, if you select RATio mode, then the attenuation factor must be given in ratio gain units. In DECibel mode, you can specify the units for the argument as “dB”.

<gain\_factor>   A real number from 0.001 to 10000 for the RATio gain units, or from –60 dB to 80 dB for the DECibel gain units.

---

**Example**           This example sets the probe external scaling gain factor for the external trigger to 10.

```
10  OUTPUT 707; " :EXTERNAL:PROBE:EXTERNAL ON"
20  OUTPUT 707; " :EXTERNAL:PROBE:EXTERNAL:GAIN 10,RATIO"
30  END
```

---



**Query**                               :EXTERNAL:PROBE:EXTERNAL:GAIN?

The :EXTERNAL:PROBE:EXTERNAL:GAIN? query returns the probe external gain setting for the external trigger.

**Returned Format**               [:EXTERNAL:PROBE:EXTERNAL:GAIN] <gain\_factor><NL>

---

**Example**                           This example places the external gain value of the probe on the external trigger in the variable, Gain, then prints the contents of the variable to the computer's screen.

```
10 OUTPUT 707; ":EXTERNAL:PROBE:EXTERNAL ON"  
20 OUTPUT 707; ":EXTERNAL:PROBE:EXTERNAL:GAIN?"  
30 ENTER 707;Gain  
40 PRINT Gain  
50 END
```

---

---

## PROBe:EXTeRnal:UNITs

**Command**           :EXTeRnal:PROBe:EXTeRnal:UNITs {VOLT | AMPere | WATT  
                          | UNKNown}

**:EXTeRnal:PROBe:EXTeRnal command must be set to ON before issuing this command or query or this command will have no effect.**

The :EXTeRnal:PROBe:EXTeRnal:UNITs command sets the probe external vertical units on the external trigger. You can specify Y-axis units of VOLTS, AMPS, WATTs, or UNKNown. See the Probe Setup dialog box for more information.

---

**Example**           This example sets the external units for the probe on the external trigger to amperes.

```
10  OUTPUT 707; ":EXTERNAL:PROBE:EXTERNAL ON"  
20  OUTPUT 707; ":EXTERNAL:PROBE:EXTERNAL:UNITs AMPERE"  
30  END
```

---

**Query**                               :EXTeRnal:PROBe:EXTeRnal:UNITs?

The :EXTeRnal:PROBe:EXTeRnal:UNITs? query returns the current external units setting for the probe on the external trigger.

**Returned Format**               [:EXTeRnal:PROBe:EXTeRnal:UNITs] {VOLT | AMPere | WATT | UNKNown}<NL>

---

**Example**                           This example places the external vertical units for the probe on the external trigger in the string variable, Units\$, then prints the contents of the variable to the computer's screen.

```
10 DIM Units$[50]
20 OUTPUT 707;":EXTeRnal:PROBe:EXTeRnal ON"
30 OUTPUT 707;":EXTeRnal:PROBe:EXTeRnal:UNITs?"
40 ENTER 707;Units$
50 PRINT Units$
60 END
```

---

---

## PROBe:GAIN

**Command**                   :EXtErnal:PROBe:GAIN {X1 | X10}

The :EXtErnal:PROBe:GAIN command sets the probe gain. The1154A probe has the ability to change the probe's input amplifier gain.

**This command is only available for the 1154A probe. If one of these probes is not connected to the external trigger you will get a settings conflict error.**

The units of volts, amperes, watts, and unknown are set using the :EXtErnal:UNITs command.

---

**Example**                   This example sets the probe gain to times 10.

```
10  OUTPUT 707; " :EXTERNAL:PROBE:GAIN X10 "  
20  END
```

---

**Query**                     :EXtErnal:PROBe:GAIN?

The :EXtErnal:PROBe:GAIN? query returns the probe gain setting.

**Returned Format**       [:EXtErnal:PROBe:GAIN] {X1 | X10}<NL>

---

## PROBe:ID?

**Query** :EXtErnal:PROBe:ID?

The :EXtErnal:PROBe:ID? query returns the type of probe attached to the external trigger input.

**Returned Format** [:EXtErnal:PROBe:ID] <probe\_id>

<probe\_id> A string of up to 9 alphanumeric characters. Some of the possible returned values are:

- 1131A
- 1132A
- 1134A
- 1147A
- 1154A
- 1156A
- 1157A
- 1158A
- 1159A
- 1165A
- AutoProbe
- E2621A
- E2622A
- E2695A
- E2697A
- HP1152A
- HP1153A
- NONE
- Probe
- Unknown

---

### Example

This example reports the probe type connected to external trigger, if one is connected.

```
10 OUTPUT 707; ":EXtErnal:PROBe:ID?"  
20 END
```

---

## PROBe:SKEW

**Command**                   :EXTeRnal:PROBe:SKEW <skew\_value>

The :EXTeRnal:PROBe:SKEW command sets the value of the External Trigger probe skew.

<skew\_value> A real number from -100E-6 to 100E-6.

---

**Example**                   This example sets the external probe skew to 10 microseconds.

```
10  OUTPUT 707; ":EXTERNAL:PROBE:SKEW 10E-6"  
20  END
```

---

**Query**                     :EXTeRnal:PROBe:SKEW?

The :EXTeRnal:PROBe:SKEW? query returns the current skew setting for the external trigger.

**Returned Format**       [:EXTeRnal:PROBe:SKEW] <skew\_value><NL>

**See Also**                For information on skew, see the Calibration Commands chapter.

---

## RANGe

**Command**           :EXtErnal:RANGe <range\_value>

The :EXtErnal:RANGe command defines the vertical axis of the external trigger. The value represents the full-scale deflection of the vertical axis in volts. This value changes as the probe attenuation factor is changed. If you change the probe attenuation, the range value is multiplied by the probe attenuation factor.

<range\_value> Voltage setting of 1, 5, or 25, corresponding to  $\pm 1\text{V}$ ,  $\pm 5\text{V}$ , or  $\pm 25\text{V}$  for  $50\ \Omega$  impedance and 1, 5, or 8, corresponding to  $\pm 1\text{V}$ ,  $\pm 5\text{V}$ , or  $\pm 8\text{V}$  for  $1\ \text{M}\Omega$  impedance.

---

**Example**           This example sets the vertical range for the external trigger to  $\pm 5\text{V}$ .

```
10 OUTPUT 707; ":EXTERNAL:RANGE 5"
20 END
```

---

**Query**             :EXtErnal:RANGe?

The :EXtErnal:RANGe? query returns the current vertical axis setting for the external trigger.

**Returned Format**   [:EXtErnal:RANGe]<range value><NL>

---

**Example**           This example places the current range value in the number variable, Setting, then prints the contents of the variable to the computer's screen.

```
10 OUTPUT 707; ":SYSTEM:HEADER OFF"!Response headers off
20 OUTPUT 707; ":EXTERNAL:RANGE?"
30 ENTER 707;Setting
40 PRINT Setting
50 END
```

---

---

## UNITS

**Command**                   :EXtErnal:UNITS {VOLT | AMPere | WATT | UNKNown}

The :EXtErnal:UNITS command sets the vertical units. You can specify Y-axis units of VOLTS, AMPS, WATTS, or UNKNown. The units are implied for other pertinent external trigger commands (such as RANGE). See the Probe Setup dialog box for more information. See also :EXtErnal:PROBe:EXtErnal and :EXtErnal:PROBe:UNITS commands.

---

**Example**                   This example sets the units for the external trigger to amperes.

```
10 OUTPUT 707;":EXTERNAL:UNITS AMPERE"  
20 END
```

---

**Query**                    :EXtErnal:UNITS?

The :EXtErnal:UNITS? query returns the current units setting for the external trigger.

**Returned Format**       [:EXtErnal:UNITS] {VOLT | AMPere | WATT | UNKNown}<NL>

---

**Example**                   This example places the vertical units for the external trigger in the string variable, Units\$, then prints the contents of the variable to the computer's screen.

```
10 DIM Units${50}  
20 OUTPUT 707;"EXTERNAL:UNITS?"  
30 ENTER 707;Units$  
40 PRINT Units$  
50 END
```





---

# Function Commands

The FUNCtion subsystem defines functions 1 - 4. The operands of these functions can be any of the installed channels in the oscilloscope, waveform memories 1 - 4, functions 1 - 4, or a constant. These FUNCtion commands and queries are implemented in the Infiniium Oscilloscopes:

- FUNCtion<N>?
- ABSolute
- ADD
- AVERAge
- COMMONmode
- DIFF (Differentiate)
- DISPlay
- DIVide
- FFT:FREQuency
- FFT:RESolution?
- FFT:WINDow
- FFTMagnitude
- FFTPhase
- HIGHpass
- HORizontal
- HORizontal:POSition
- HORizontal:RANGE
- INTegrate
- INVert
- LOWPass
- MAGNify
- MAXimum
- MINimum
- MULTiply
- OFFSet
- RANGE
- SMOoth
- SQRT
- SQUare
- SUBTract
- VERSus
- VERTical
- VERTical:OFFset
- VERTical:RANGE

You can control the vertical scaling and offset functions remotely using the RANGE and OFFSet commands in this subsystem. You can obtain the horizontal scaling and position values of the functions using the :HORizontal:RANGE? and :HORizontal:POSition? queries in this subsystem.

If a channel is not on but is used as an operand, that channel will acquire waveform data.

If the operand waveforms have different memory depths, the function uses the shorter of the two.

If the two operands have the same time scales, the resulting function has the same time scale. If the operands have different time scales, the resulting function has no valid time scale. This is because operations are performed based on the displayed waveform data position, and the time relationship of the data records cannot be considered. When the time scale is not valid, delta time pulse parameter measurements have no meaning, and the unknown result indicator is displayed on the screen.

Constant operands take on the same time scale as the associated waveform operand.

---

**FUNction<N>?**

**Query**                   :FUNction<N>?

The :FUNction<N>? query returns the currently defined source(s) for the function.

**Returned Format**       [:FUNction<N>:<operator>] {<operand>, [, <operand>]}<NL>

<N>   An integer, 1 - 4, representing the selected function.

<operator>   Active math operation for the selected function: ADD, AVERage, COMMONmode, DIFF, DIVide, FFTMagnitude, FFTPhase, HIGHpass, INTegrate, INVert, LOWPass, MAGNify, MAXimum, MINimum, MULTiply, SMOoth, SUBTract, or VERSus.

<operand>   Any allowable source for the selected FUNction, including channels, waveform memories 1-4, and functions 1-4. If the function is applied to a constant, the source returns the constant.

The channel number is:

    An integer, 1 - 2, for two channel Infiniium Oscilloscopes.

    An integer, 1 - 4, for all other Infiniium Oscilloscope models.

---

**Example**                   This example returns the currently defined source for function 1.

```
10  OUTPUT 707; ":FUNCTION1?"
20  END
```

If the headers are off (see :SYSTem:HEADer), the query returns only the operands, not the operator.

```
10  :SYST:HEAD ON
20  :FUNC1:ADD CHAN1,CHAN2
30  :FUNC1? !returns :FUNC1:ADD CHAN1,CHAN2
40  :SYST:HEAD OFF
50  :FUNC1? !returns CHAN1,CHAN2
```

---

---

## ABSolute

**Command**                   :FUNCTION<N>:ABSolute <operand>

The :FUNCTION<N>:ABSolute command takes the absolute value an operand.

<operand> {CHANnel<N> | FUNCTION<N> | WMEMory<N>}

<N> CHANnel<N> is an integer, 1 - 4.

FUNCTION<N> and WMEMory<N> are:

An integer, 1 - 4, representing the selected function or waveform memory.

### Functions Used as Operands

**A function may be used as a source for another function, subject to the following constraints:**

**F4 can have F1, F2, or F3 as a source.**

**F3 can have F1 or F2 as a source.**

**F2 can have F1 as a source.**

**F1 cannot have any other function as a source.**

---

### Example

This example turns on the absolute value command using channel 3.

```
10 OUTPUT 707;"MEASURE:ABSOLUTE CHANNEL3"  
20 END
```

---

---

## ADD

**Command** :FUNCTION<N>:ADD <operand>, <operand>

The :FUNCTION<N>:ADD command defines a function that takes the algebraic sum of the two operands.

<N> An integer, 1 - 4, representing the selected function.

<operand> {CHANnel<n> | FUNCTION<n> | WMEMory<n> | <float\_value>}

CHANnel<n> is:

An integer, 1 - 2, for two channel Infiniium Oscilloscopes.

An integer, 1 - 4, for all other Infiniium Oscilloscope models.

FUNCTION<n> and WMEMory<n> are:

An integer, 1 - 4, representing the selected function or waveform memory.

<float\_value> is:

A real number from -1E6 to 1E6.

### Functions Used as Operands

**A function may be used as a source for another function, subject to the following constraints:**

**F4 can have F1, F2, or F3 as a source.**

**F3 can have F1 or F2 as a source.**

**F2 can have F1 as a source.**

**F1 cannot have any other function as a source.**

---

### Example

This example sets up function 1 to add channel 1 to channel 2.

```
10 OUTPUT 707; ":FUNCTION1:ADD CHANNEL1, CHANNEL2"  
20 END
```

---

## AVERage

**Command**                   :FUNCTION<N>:AVERage <operand> [, <averages>]

The :FUNCTION<N>:AVERage command defines a function that averages the operand based on the number of specified averages.

<N> An integer, 1 - 4, representing the selected function.

<operand> {CHANnel<n> | FUNCTION<n> | WMEMory<n> | <float\_value>}

CHANnel<n> is:

    An integer, 1 - 2, for two channel Infiniium Oscilloscopes.

    An integer, 1 - 4, for all other Infiniium Oscilloscope models.

FUNCTION<n> and WMEMory<n> are:

    An integer, 1 - 4, representing the selected function or waveform memory.

<float\_value> is:

    A real number from -1E6 to 1E6

<averages>           An integer, 2 to 4096 specifying the number of waveforms to be averaged

---

### Example

This example sets up function 1 to average channel 1 using 16 averages.

```
10 OUTPUT 707; ":FUNCTION1:AVERAGE CHANNEL1,16"
20 END
```

#### Functions Used as Operands

**A function may be used as a source for another function, subject to the following constraints:**

**F4 can have F1, F2, or F3 as a source.**

**F3 can have F1 or F2 as a source.**

**F2 can have F1 as a source.**

**F1 cannot have any other function as a source.**

---

## COMMONmode

**Command**                   :FUNCTION<N>:COMMONmode <operand>, <operand>

The :FUNCTION<N>:COMMONmode command defines a function that adds the voltage values of the two operands and divides by 2, point by point.

<N> An integer, 1 - 4, representing the selected function.

<operand> {CHANnel<n> | FUNCTION<n> | WMEMory<n> | <float\_value>}

CHANnel<n> is an integer, 1 - 4.

FUNCTION<n> and WMEMory<n> are:

    An integer, 1 - 4, representing the selected function or waveform memory.

<float\_value> is:

    A real number from -1E6 to 1E6.

### Functions Used as Operands

**A function may be used as a source for another function, subject to the following constraints:**

**F4 can have F1, F2, or F3 as a source.**

**F3 can have F1 or F2 as a source.**

**F2 can have F1 as a source.**

**F1 cannot have any other function as a source.**

---

### Example

This example sets up function 1 to view the commonmode voltage value of channel 1 and channel 2.

```
10  OUTPUT 707; ":FUNCTION1:COMMONMODE CHANNEL1, CHANNEL2 "  
20  END
```



---

## DIFF (Differentiate)

**Command**           :FUNCTION<N>:DIFF <operand>

The :FUNCTION<N>:DIFF command defines a function that computes the discrete derivative of the operand.

<N> An integer, 1 - 4, representing the selected function.

<operand> {CHANNEL<n> | FUNCTION<n> | WMEMORY<n> | <float\_value>}

CHANNEL<n> is:

    An integer, 1 - 2, for two channel Infiniium Oscilloscopes.

    An integer, 1 - 4, for all other Infiniium Oscilloscope models.

FUNCTION<n> and WMEMORY<n> are:

    An integer, 1 - 4, representing the selected function or waveform memory.

<float\_value> is:

    A real number from -1E6 to 1E6.

### Functions Used as Operands

**A function may be used as a source for another function, subject to the following constraints:**

**F4 can have F1, F2, or F3 as a source.**

**F3 can have F1 or F2 as a source.**

**F2 can have F1 as a source.**

**F1 cannot have any other function as a source.**

---

### Example

This example sets up function 2 to take the discrete derivative of the waveform on channel 2.

```
10  OUTPUT 707; " :FUNCTION2:DIFF CHANNEL2 "
20  END
```

---

## DISPlay

**Command**           :FUNCTION<N>:DISPlay {{ON|1} | {OFF|0}}

The :FUNCTION<N>:DISPlay command either displays the selected function or removes it from the display.

<N> An integer, 1 - 4, representing the selected function.

---

**Example**           This example turns function 1 on.

```
10  OUTPUT 707;":FUNCTION1:DISPLAY ON"
20  END
```

---

**Query**             :FUNCTION<N>:DISPlay?

The :FUNCTION<N>:DISPlay? query returns the displayed status of the specified function.

**Returned Format**   [:FUNCTION<N>:DISPlay] {1|0}<NL>

---

**Example**           This example places the current state of function 1 in the variable, Setting, then prints the contents of the variable to the computer's screen.

```
10  OUTPUT 707;":SYSTEM:HEADER OFF"
20  OUTPUT 707;":FUNCTION1:DISPLAY?"
30  ENTER 707;Setting
40  PRINT Setting
50  END
```

---

---

## DIVide

**Command**           :FUNCTION<N>:DIVide <operand>, <operand>

The :FUNCTION<N>:DIVide command defines a function that divides the first operand by the second operand.

<N> An integer, 1 - 4, representing the selected function.

<operand> {CHANnel<n> | FUNCTION<n> | WMEMory<n> | <float\_value>}

CHANnel<n> is:

    An integer, 1 - 2, for two channel Infiniium Oscilloscopes.

    An integer, 1 - 4, for all other Infiniium Oscilloscope models.

FUNCTION<n> and WMEMory<n> are:

    An integer, 1 - 4, representing the selected function or waveform memory.

<float\_value> is: A real number from -1E6 to 1E6.

### Functions Used as Operands

**A function may be used as a source for another function, subject to the following constraints:**

**F4 can have F1, F2, or F3 as a source.**

**F3 can have F1 or F2 as a source.**

**F2 can have F1 as a source.**

**F1 cannot have any other function as a source.**

---

### Example

This example sets up function 2 to divide the waveform on channel 1 by the waveform in waveform memory 4.

```
10  OUTPUT 707; ":FUNCTION2:DIVIDE CHANNEL1,WMEMORY4"
20  END
```

---

---

## FFT:FREQuency

**Command** :FUNction<N>:FFT:FREQuency <center\_frequency\_value>

The :FUNction<N>:FFT:FREQuency command sets the center frequency for the FFT when :FUNction<N>:FFTMagnitude is defined for the selected function.

<N> An integer, 1 - 4, representing the selected function.

<center  
\_frequency  
\_value>

A real number for the value in Hertz, from -1E12 to 1E12.

**Query** :FUNction<N>:FFT:FREQuency?

The :FUNction<N>:FFT:FREQuency? query returns the center frequency value.

**Returned Format** [FUNction<N>:FFT:FREQuency] <center\_frequency\_value><NL>

---

## FFT:REFERENCE

**Command**                   :FUNCTION<N>:FFT:REFERENCE {DISPlay | TRIGger}

The :FUNCTION<N>:FFT:REFERENCE command sets the reference point for calculating the FFT phase function.

<N> An integer, 1 - 4, representing the selected function.

---

**Example**

This example sets the reference point to DISPlay.

```
10 OUTPUT 707;" :FUNCTION<N>:FFT:REFERENCE DISPLAY
20 END
```

---

**Query**

:FUNCTION<N>:FFT:REFERENCE?

The :FUNCTION<N>:FFT:REFERENCE? query returns the currently selected reference point for the FFT phase function.

**Returned Format**

[ :FUNCTION<N>:FFT:REFERENCE ] {DISPlay | TRIGger}<NL>

---

**Example**

This example places the current state of the function 1 FFT reference point in the string variable, REF?, then prints the contents of the variable to the computer's screen.

```
10 DIM REF$(50)
20 OUTPUT 707;" :FUNCTION1:FFT:REFERENCE?"
30 ENTER 707;REF$
40 PRINT REF$
50 END
```

---

## FFT:RESolution?

**Query** :FUNCTION<N>:FFT:RESolution?

The :FUNCTION<N>:FFT:RESolution? query returns the current resolution of the FFT function.

**Returned Format** [FUNCTION<N>:FFT:RESolution] <resolution\_value><NL>

<N> An integer from 1 to 4 representing the selected function.

<resolution  
\_value> Resolution frequency.

The FFT resolution is determined by the sample rate and memory depth settings. The FFT resolution is calculated using the following equation:

$$\text{FFT Resolution} = \text{Sample Rate} / \text{Effective Memory Depth}$$

The effective memory depth is the highest power of 2 less than or equal to the number of sample points across the display. The memory bar in the status area at the top of the display indicates how much of the actual memory depth is across the display.

---

## FFT:WINDow

**Command**            :FUNction<N>:FFT:WINDow {RECTangular | HANNing | FLATtop}

The :FUNction<N>:FFT:WINDow command sets the window type for the FFT function.

The FFT function assumes that the time record repeats. Unless there is an integral number of cycles of the sampled waveform in the record, a discontinuity is created at the beginning of the record. This introduces additional frequency components into the spectrum about the actual peaks, which is referred to as spectral leakage. To minimize spectral leakage, windows that approach zero smoothly at the beginning and end of the record are employed as filters to the FFTs. Each window is useful for certain classes of input waveforms.

- The RECTangular window is essentially no window, and all points are multiplied by 1. This window is useful for transient waveforms and waveforms where there are an integral number of cycles in the time record.
- The HANNing window is useful for frequency resolution and general purpose use. It is good for resolving two frequencies that are close together, or for making frequency measurements.
- The FLATtop window is best for making accurate amplitude measurements of frequency peaks.

<N> An integer, 1 - 4, representing the selected function. This command presently selects all functions, regardless of which integer (1-4) is passed.

---

**Example**

This example sets the window type for the FFT function to RECTangular.

```
10 OUTPUT 707; ":FUNCTION<N>:FFT:WINDOW RECTANGULAR
20 END
```

---

## Function Commands

### FFT:WINDow

**Query** `:FUNction<N>:FFT:WINDow?`

The `:FUNction<N>:FFT:WINDow?` query returns the current selected window for the FFT function.

**Returned Format** `[:FUNction<N>:FFT:WINDow] {RECTangular | HANNing | FLATtop}<NL>`

---

**Example** This example places the current state of the function 1 FFT window in the string variable, WND?, then prints the contents of the variable to the computer's screen.

```
10 DIM WND$[50]
20 OUTPUT 707;" :FUNCTION1:FFT:WINDOW?"
30 ENTER 707;WND$
40 PRINT WND$
50 END
```

---



---

## FFTMagnitude

**Command**                   :FUNCTION<N>:FFTMagnitude <operand>

The :FUNCTION<N>:FFTMagnitude command computes the Fast Fourier Transform (FFT) of the specified channel, function, or memory. The FFT takes the digitized time record and transforms it to magnitude and phase components as a function of frequency.

<N> An integer, 1 - 4, representing the selected function.

<operand> {CHANnel<n> | FUNCTION<n> | WMEMory<n> | <float\_value>}

CHANnel<n> is:

    An integer, 1 - 2, for two channel Infiniium Oscilloscopes.

    An integer, 1 - 4, for all other Infiniium Oscilloscope models.

FUNCTION<n> and WMEMory<n> are:

    An integer, 1 - 4, representing the selected function or waveform memory.

<float\_value> is:

    A real number from -1E6 to 1E6.

---

**Example**

This example sets up function 1 to compute the FFT of waveform memory 3.

```
10 OUTPUT 707; " :FUNCTION1:FFTMAGNITUDE WMEMORY3 "
20 END
```

---

**Functions Used as Operands**

**A function may be used as a source for another function, subject to the following constraints:**

**F4 can have F1, F2, or F3 as a source.**

**F3 can have F1 or F2 as a source.**

**F2 can have F1 as a source.**

**F1 cannot have any other function as a source.**

---

## FFTPhase

**Command**                   :FUNCTION<N>:FFTPhase <source>

The :FUNCTION<N>:FFTPhase command computes the Fast Fourier Transform (FFT) of the specified channel, function, or waveform memory. The FFT takes the digitized time record and transforms it into magnitude and phase components as a function of frequency.

<N> An integer, 1 - 4, representing the selected function.

<source> {CHANnel<n> | FUNCTION<n> | WMEMory<n> | <float\_value>}

CHANnel<n> is:

    An integer, 1 - 2, for two channel Infiniium Oscilloscopes.

    An integer, 1 - 4, for all other Infiniium Oscilloscope models.

FUNCTION<n> and WMEMory<n> are:

    An integer, 1 - 4, representing the selected function or waveform memory.

<float\_value> is:

    A real number from -1E6 to 1E6.

---

### Example

This example sets up function 1 to compute the FFT of waveform memory 3.

```
10 OUTPUT 707; " :FUNCTION1:FFTPHASE WMEMORY3 "  
20 END
```

---

#### **Functions Used as Operands**

**A function may be used as a source for another function, subject to the following constraints:**

**F4 can have F1, F2, or F3 as a source.**

**F3 can have F1 or F2 as a source.**

**F2 can have F1 as a source.**

**F1 cannot have any other function as a source.**

---

## HIGHpass

**Command**           :FUNCTION<N>:HIGHpass <source>,<bandwidth>

The :FUNCTION<N>:HIGHpass command applies a single-pole high pass filter to the source waveform. The bandwidth that you set is the 3 dB bandwidth of the filter.

<N> An integer, 1 - 4, representing the selected function.

<source> {CHANnel<n> | FUNCTION<n> | WMEMory<n>}

CHANnel<n> is:

    An integer, 1 - 2, for two channel Infiniium Oscilloscopes.

    An integer, 1 - 4, for all other Infiniium Oscilloscope models.

FUNCTION<n> and WMEMory<n> are:

    An integer, 1 - 4, representing the selected function or waveform memory.

<bandwidth> A real number in the range of 50 to 50E9.

---

**Example**

This example sets up function 2 to compute a high pass filter with a bandwidth of 1 MHz.

```
10  OUTPUT 707; " :FUNCTION2:HIGHPASS CHANNEL4, 1E6 "
20  END
```

---

## HORizontal:POSition

**Command**                   :FUNCTION<N>:HORizontal:POSition <position\_value>

The :FUNCTION<N>:HORizontal:POSition command sets the time value at center screen for the selected function. If the oscilloscope is not already in manual mode when you execute this command, it puts the oscilloscope in manual mode.

When you select :FUNCTION<N>:FFTMagnitude, the horizontal position is equivalent to the center frequency. This also automatically selects manual mode.

<N> An integer, 1 - 4, representing the selected function.

<position\_value> A real number for the position value in time, in seconds, from -1E12 to 1E12.

**Query**                       :FUNCTION<N>:HORizontal:POSition?

The :FUNCTION<N>:HORizontal:POSition? query returns the current time value at center screen of the selected function.

**Returned Format**           [:FUNCTION<N>:HORizontal:POSition] <position><NL>

---

**Example**                   This example places the current horizontal position setting for function 2 in the numeric variable, Value, then prints the contents to the computer's screen.

```
10 OUTPUT 707;" :SYSTEM:HEADER OFF"!Response headers off
20 OUTPUT 707;" :FUNCTION2:HORIZONTAL:POSITION?"
30 ENTER 707;Value
40 PRINT Value
50 END
```

---

## HORizontal:RANGe

**Command**                   :FUNction<N>:HORizontal:RANGe <range\_value>

The :FUNction<N>:HORizontal:RANGe command sets the current time range for the specified function. This automatically selects manual mode.

<N> An integer, 1 - 4, representing the selected function.

<range\_value> A real number for the width of screen in current X-axis units (usually seconds), from 1E-12 to 50E12.

**Query**                       :FUNction<N>:HORizontal:RANGe?

The :FUNction<N>:HORizontal:RANGe? query returns the current time range setting of the specified function.

**Returned Format**       [:FUNction<N>:HORizontal:RANGe] <range><NL>

**Example**                   This example places the current horizontal range setting of function 2 in the numeric variable, Value, then prints the contents to the computer's screen.

```
10  OUTPUT 707;":SYSTEM:HEADER OFF"!Response headers off
20  OUTPUT 707;":FUNCTION2:HORIZONTAL:RANGE?"
30  ENTER 707;Value
40  PRINT Value
50  END
```

---

## INTEgrate

**Command**           :FUNCTION<N>:INTEgrate <operand>

The :FUNCTION<N>:INTEgrate command defines a function that computes the integral of the specified operand's waveform.

<N> An integer, 1 - 4, representing the selected function.

<operand> {CHANnel<n> | FUNCTION<n> | WMEMory<n> | <float\_value>}

CHANnel<n> is:

    An integer, 1 - 2, for two channel Infiniium Oscilloscopes.

    An integer, 1 - 4, for all other Infiniium Oscilloscope models.

FUNCTION<n> and WMEMory<n> are:

    An integer, 1 - 4, representing the selected function or waveform memory.

<float\_value> is:

    A real number from -1E6 to 1E6.

---

**Example**           This example sets up function 1 to compute the integral of waveform memory 3.

```
10  OUTPUT 707; ":FUNCTION1:INTEGRATE WMEMORY3 "  
20  END
```

---

### Functions Used as Operands

**A function may be used as a source for another function, subject to the following constraints:**

**F4 can have F1, F2, or F3 as a source.**

**F3 can have F1 or F2 as a source.**

**F2 can have F1 as a source.**

**F1 cannot have any other function as a source.**

---

## INVert

**Command**           :FUNCTION<N>:INVert <operand>

The :FUNCTION<N>:INVert command defines a function that inverts the defined operand's waveform by multiplying by -1.

<N> An integer, 1 - 4, representing the selected function.

<operand> {CHANnel<n> | FUNCTION<n> | WMEMory<n> | <float\_value>}

CHANnel<n> is:

    An integer, 1 - 2, for two channel Infiniium Oscilloscopes.

    An integer, 1 - 4, for all other Infiniium Oscilloscope models.

FUNCTION<n> and WMEMory<n> are:

    An integer, 1 - 4, representing the selected function or waveform memory.

<float\_value> is:

    A real number from -1E6 to 1E6.

---

### Example

This example sets up function 2 to invert the waveform on channel 1.

```
10  OUTPUT 707; " :FUNCTION2:INVERT CHANNEL1 "
20  END
```

---

#### Functions Used as Operands

**A function may be used as a source for another function, subject to the following constraints:**

**F4 can have F1, F2, or F3 as a source.**

**F3 can have F1 or F2 as a source.**

**F2 can have F1 as a source.**

**F1 cannot have any other function as a source.**

---

## LOWPass

**Command**           :FUNCTION<N>:LOWPass <source>,<bandwidth>

The :FUNCTION<N>:LOWPass command applies a 4th order Bessel-Thompson pass filter to the source waveform. The bandwidth that you set is the 3 dB bandwidth of the filter.

<N> An integer, 1 - 4, representing the selected function.

<source> {CHANnel<n> | FUNCTION<n> | WMEMory<n>}

CHANnel<n> is:

    An integer, 1 - 2, for two channel Infiniium Oscilloscopes.

    An integer, 1 - 4, for all other Infiniium Oscilloscope models.

FUNCTION<n> and WMEMory<n> are:

    An integer, 1 - 4, representing the selected function or waveform memory.

<bandwidth> A real number in the range of 50 to 50E9.

---

### Example

This example sets up function 2 to compute a low pass filter with a bandwidth of 1 MHz.

```
10 OUTPUT 707; ":FUNCTION2:LOWPASS CHANNEL4,1E6"  
20 END
```



---

## MAGNify

**Command**                   :FUNCTION<N>:MAGNify <operand>

The :FUNCTION<N>:MAGNify command defines a function that is a copy of the operand. The magnify function is a software magnify. No hardware settings are altered as a result of using this function. It is useful for scaling channels, another function, or memories with the RANGE and OFFSet commands in this subsystem.

<N> An integer, 1 - 4, representing the selected function.

<operand> {CHANnel<n> | FUNCTION<n> | WMEMory<n> | <float\_value>}

CHANnel<n> is:

    An integer, 1 - 2, for two channel Infiniium Oscilloscopes.

    An integer, 1 - 4, for all other Infiniium Oscilloscope models.

FUNCTION<n> and WMEMory<n> are:

    An integer, 1 - 4, representing the selected function or waveform memory.

<float\_value> is:

    A real number from -1E6 to 1E6.

---

### Example

This example creates a function (function 1) that is a magnified version of channel 1.

```
10  OUTPUT 707; " :FUNCTION1:MAGNIFY CHANNEL1 "
20  END
```

---

#### Functions Used as Operands

**A function may be used as a source for another function, subject to the following constraints:**

**F4 can have F1, F2, or F3 as a source.**

**F3 can have F1 or F2 as a source.**

**F2 can have F1 as a source.**

**F1 cannot have any other function as a source.**

---

## MAXimum

**Command**           :FUNCTION<N>:MAXimum <operand>

The :FUNCTION<N>:MAXimum command defines a function that computes the maximum of each time bucket for the defined operand's waveform.

<N> An integer, 1 - 4, representing the selected function.

<operand> {CHANnel<n> | FUNCTION<n> | WMEMory<n> | <float\_value>}

CHANnel<n> is an integer, 1 - 4.

FUNCTION<n> and WMEMory<n> are:

    An integer, 1 - 4, representing the selected function or waveform memory.

<float\_value> is:

    A real number from -1E6 to 1E6.

---

### Example

This example sets up function 2 to compute the maximum of each time bucket for channel 4.

```
10  OUTPUT 707; ":FUNCTION2:MAXIMUM CHANNEL4 "  
20  END
```

---

#### Functions Used as Operands

**A function may be used as a source for another function, subject to the following constraints:**

**F4 can have F1, F2, or F3 as a source.**

**F3 can have F1 or F2 as a source.**

**F2 can have F1 as a source.**

**F1 cannot have any other function as a source.**

---

## MAXimum

**Command**                   :FUNCTION<N>:MAXimum <operand>

The :FUNCTION<N>:MAXimum command defines a function that computes the maximum value of the operand waveform in each time bucket.

<N> An integer, 1 - 4, representing the selected function.

<operand> {CHANnel<n> | FUNCTION<n> | WMEMory<n> | <float\_value>}

CHANnel<n> is:

    An integer, 1 - 2, for two channel Infiniium Oscilloscopes.

    An integer, 1 - 4, for all other Infiniium Oscilloscope models.

FUNCTION<n> and WMEMory<n> are:

    An integer, 1 - 4, representing the selected function or waveform memory.

<float\_value> is:

    A real number from -1E6 to 1E6.

---

### Example

This example sets up function 2 to compute the maximum of each time bucket for channel 2.

```
10  OUTPUT 707; " :FUNCTION2:MAXIMUM CHANNEL2 "
20  END
```

---

#### Functions Used as Operands

**A function may be used as a source for another function, subject to the following constraints:**

**F4 can have F1, F2, or F3 as a source.**

**F3 can have F1 or F2 as a source.**

**F2 can have F1 as a source.**

**F1 cannot have any other function as a source.**

---

## MINimum

**Command**           :FUNCTION<N>:MINimum <operand>

The :FUNCTION<N>:MINimum command defines a function that computes the minimum of each time bucket for the defined operand's waveform.

<N> An integer, 1 - 4, representing the selected function.

<operand> {CHANnel<n> | FUNCTION<n> | WMEMory<n> | <float\_value>}

CHANnel<n> is:

    An integer, 1 - 2, for two channel Infiniium Oscilloscopes.

    An integer, 1 - 4, for all other Infiniium Oscilloscope models.

FUNCTION<n> and WMEMory<n> are:

    An integer, 1 - 4, representing the selected function or waveform memory.

<float\_value> is:

    A real number from -1E6 to 1E6.

---

### Example

This example sets up function 2 to compute the minimum of each time bucket for channel 4.

```
10  OUTPUT 707; " :FUNCTION2:MINIMUM CHANNEL4 "  
20  END
```

---

#### **Functions Used as Operands**

**A function may be used as a source for another function, subject to the following constraints:**

**F4 can have F1, F2, or F3 as a source.**

**F3 can have F1 or F2 as a source.**

**F2 can have F1 as a source.**

**F1 cannot have any other function as a source.**

---

## MULTIPLY

**Command**                   :FUNCTION<N>:MULTIPLY <operand>, <operand>

The :FUNCTION<N>:MULTIPLY command defines a function that algebraically multiplies the first operand by the second operand.

<N> An integer, 1 - 4, representing the selected function.

<operand> {CHANNEL<n> | FUNCTION<n> | WMEMORY<n> | <float\_value>}

CHANNEL<n> is:

    An integer, 1 - 2, for two channel Infiniium Oscilloscopes.

    An integer, 1 - 4, for all other Infiniium Oscilloscope models.

FUNCTION<n> and WMEMORY<n> are:

    An integer, 1 - 4, representing the selected function or waveform memory.

<float\_value> is:

    A real number from -1E6 to 1E6.

---

### Example

This example defines a function that multiplies channel 1 by waveform memory 1.

```
10  OUTPUT 707; " :FUNCTION1:MULTIPLY CHANNEL1, WMEMORY1 "
20  END
```

---

#### Functions Used as Operands

**A function may be used as a source for another function, subject to the following constraints:**

**F4 can have F1, F2, or F3 as a source.**

**F3 can have F1 or F2 as a source.**

**F2 can have F1 as a source.**

**F1 cannot have any other function as a source.**

---

## OFFSet

**Command**                   :FUNCTION<N>:OFFSet <offset\_value>

The :FUNCTION<N>:OFFSet command sets the voltage represented at the center of the screen for the selected function. This automatically changes the mode from auto to manual.

<N> An integer, 1 - 4, representing the selected function.

<offset\_value> A real number for the vertical offset in the currently selected Y-axis units (normally volts). The offset value is limited to being within the vertical range that can be represented by the function data.

---

**Example**                   This example sets the offset voltage for function 1 to 2 mV.

```
10  OUTPUT 707; ":FUNCTION1:OFFSET 2E-3"  
20  END
```

---

**Query**                    :FUNCTION<N>:OFFSet?

The :FUNCTION<N>:OFFSet? query returns the current offset value for the selected function.

**Returned Format**       [:FUNCTION<N>:OFFSet] <offset\_value><NL>

---

**Example**                   This example places the current setting for offset on function 2 in the numeric variable, Value, then prints the result to the computer's screen.

```
10  OUTPUT 707; ":SYSTEM:HEADER OFF"!Response headers off  
20  OUTPUT 707; ":FUNCTION2:OFFSET?"  
30  ENTER 707;Value  
40  PRINT Value  
50  END
```

---

## RANGe

**Command**           :FUNction<N>:RANGe <full\_scale\_range>

The :FUNction<N>:RANGe command defines the full-scale vertical axis of the selected function. This automatically changes the mode from auto to manual.

<N> An integer, 1 - 4, representing the selected function.

<full\_scale\_range> A real number for the full-scale vertical range, from 100E-18 to 10E15.

---

**Example**           This example sets the full-scale range for function 1 to 400 mV.

```
10 OUTPUT 707; ":FUNCTION1:RANGE 400E-3"
20 END
```

---

**Query**             :FUNction<N>:RANGe?

The :FUNction<N>:RANGe? query returns the current full-scale range setting for the specified function.

**Returned Format**   [:FUNction<N>:RANGe] <full\_scale\_range><NL>

---

**Example**           This example places the current range setting for function 2 in the numeric variable "Value," then prints the contents to the computer's screen.

```
10 OUTPUT 707; ":SYSTEM:HEADER OFF"!Response headers off
20 OUTPUT 707; ":FUNCTION2:RANGE?"
30 ENTER 707;Value
40 PRINT Value
50 END
```

---

---

## SMOoth

**Command**           :FUNCTION<N>:SMOoth <operand>[,<points>]

The :FUNCTION<N>:SMOoth command defines a function that assigns the smoothing operator to the operand with the number of specified smoothing points.

<N> An integer, 1 - 4, representing the selected function.

<operand> {CHANnel<n> | FUNCTION<n> | WMEMory<n> | <float\_value>}

CHANnel<n> is an integer, 1 - 4.

FUNCTION<n> and WMEMory<n> are:

    An integer, 1 - 4, representing the selected function or waveform memory.

<float\_value> is:

    A real number from -1E6 to 1E6

<points>    An integer, odd numbers from 3 to 4001 specifying the number of smoothing points.

---

### Example

This example sets up function 1 using assigning smoothing operator to channel 1 using 5 smoothing points.

```
10 OUTPUT 707;":FUNCTION1:SMOOTH CHANNEL1,5"  
20 END
```

---

#### Functions Used as Operands

**A function may be used as a source for another function, subject to the following constraints:**

**F4 can have F1, F2, or F3 as a source.**

**F3 can have F1 or F2 as a source.**

**F2 can have F1 as a source.**

**F1 cannot have any other function as a source.**



---

## SQRT

**Command**                   :FUNCTION<N>:SQRT <operand>

The :FUNCTION<N>:SQRT command takes the square root of the operand.

<operand> {CHANnel<N> | FUNCTION<N> | WMEMory<N>}

<N> CHANnel<N> is an integer, 1 - 4.

FUNCTION<N> and WMEMory<N> are:

    An integer, 1 - 4, representing the selected function or waveform memory.

### Functions Used as Operands

**A function may be used as a source for another function, subject to the following constraints:**

**F4 can have F1, F2, or F3 as a source.**

**F3 can have F1 or F2 as a source.**

**F2 can have F1 as a source.**

**F1 cannot have any other function as a source.**

---

### Example

This example turns on the square root function using channel 3.

```
10 OUTPUT 707;"MEASURE:SQRT CHANNEL3"
20 END
```

---

---

## SQUare

**Command**                   :FUNCTION<N>:SQUare <operand>

The :FUNCTION<N>:SQUare command takes the square value of the operand.

<operand> {CHANnel<N> | FUNCTION<N> | WMEMory<N>}

<N> CHANnel<N> is an integer, 1 - 4.

FUNCTION<N> and WMEMory<N> are:

An integer, 1 - 4, representing the selected function or waveform memory.

### **Functions Used as Operands**

**A function may be used as a source for another function, subject to the following constraints:**

**F4 can have F1, F2, or F3 as a source.**

**F3 can have F1 or F2 as a source.**

**F2 can have F1 as a source.**

**F1 cannot have any other function as a source.**

---

### **Example**

This example turns on the square value command using channel 3.

```
10 OUTPUT 707; "MEASURE:SQUARE CHANNEL3 "  
20 END
```

---

---

## SUBTract

**Command**                   :FUNCTION<N>:SUBTract <operand>, <operand>

The :FUNCTION<N>:SUBTract command defines a function that algebraically subtracts the second operand from the first operand.

<N> An integer, 1 - 4, representing the selected function.

<operand> {CHANnel<n> | FUNCTION<n> | WMEMory<n> | <float\_value>}

CHANnel<n> is:

    An integer, 1 - 2, for two channel Infiniium Oscilloscopes.

    An integer, 1 - 4, for all other Infiniium Oscilloscope models.

FUNCTION<n> and WMEMory<n> are:

    An integer, 1 - 4, representing the selected function or waveform memory.

<float\_value> is:

    A real number from -1E6 to 1E6.

---

### Example

This example defines a function that subtracts waveform memory 1 from channel 1.

```
10  OUTPUT 707; " :FUNCTION1:SUBTRACT CHANNEL1, WMEMORY1 "
20  END
```

---

#### Functions Used as Operands

**A function may be used as a source for another function, subject to the following constraints:**

**F4 can have F1, F2, or F3 as a source.**

**F3 can have F1 or F2 as a source.**

**F2 can have F1 as a source.**

**F1 cannot have any other function as a source.**

---

## VERSus

**Command**                   :FUNCTION<N>:VERSus <operand>, <operand>

The :FUNCTION<N>:VERSus command defines a function for an X-versus-Y display. The first operand defines the Y axis and the second defines the X axis. The Y-axis range and offset are initially equal to that of the first operand, and you can adjust them with the RANGE and OFFSet commands in this subsystem.

<N> An integer, 1 - 4, representing the selected function.

<operand> {CHANnel<n> | FUNCTION<n> | WMEMory<n> | <float\_value>}

CHANnel<n> is:

    An integer, 1 - 2, for two channel Infiniium Oscilloscopes.

    An integer, 1 - 4, for all other Infiniium Oscilloscope models.

FUNCTION<n> and WMEMory<n> are:

    An integer, 1 - 4, representing the selected function or waveform memory.

<float\_value> is:

    A real number from -1E6 to 1E6.

---

### Example

This example defines function 1 as an X-versus-Y display. Channel 1 is the X axis and waveform memory 2 is the Y axis.

```
10  OUTPUT 707; " :FUNCTION1:VERSUS WMEMORY2, CHANNEL1 "
20  END
```

---

#### Functions Used as Operands

**A function may be used as a source for another function, subject to the following constraints:**

**F4 can have F1, F2, or F3 as a source.**

**F3 can have F1 or F2 as a source.**

**F2 can have F1 as a source.**

**F1 cannot have any other function as a source.**

---

## VERTical

**Command**                   :FUNCTION<N>:VERTical {AUTO | MANual}

The :FUNCTION<N>:VERTical command sets the vertical scaling mode of the specified function to either AUTO or MANual.

This command also contains the following commands and queries:

- OFFset
- RANge

<N> An integer, 1 - 4, representing the selected function.

**Query**                     :FUNCTION<N>:VERTical?

The :FUNCTION<N>:VERTical? query returns the current vertical scaling mode of the specified function.

**Returned Format**       [:FUNCTION<N>:VERTical] {AUTO | MANual}<NL>

---

**Example**

This example places the current state of the vertical tracking of function 1 in the string variable, Setting\$, then prints the contents of the variable to the computer's screen.

```
10 DIM Setting$[50]!Dimension variable
20 OUTPUT 707;" :FUNCTION1:VERTICAL?"
30 ENTER 707;Setting$
40 PRINT Setting$
50 END
```

---

## VERTical:OFFSet

**Command**                   :FUNCTION<N>:VERTical:OFFSet <offset\_value>

The :FUNCTION<N>:VERTical:OFFSet command sets the voltage represented at center screen for the selected function. This automatically changes the mode from auto to manual.

<N> An integer, 1 - 4, representing the selected function.

<offset\_value> A real number for the vertical offset in the currently selected Y-axis units (normally volts). The offset value is limited only to being within the vertical range that can be represented by the function data.

**Query**                     :FUNCTION<N>:VERTical:OFFset?

The :FUNCTION<N>:VERTical:OFFset? query returns the current offset value of the selected function.

**Returned Format**       [:FUNCTION<N>:VERTical:OFFset] <offset\_value><NL>

---

**Example**                   This example places the current offset setting for function 2 in the numeric variable, Value, then prints the contents to the computer's screen.

```
10 OUTPUT 707;":SYSTEM:HEADER OFF"!Response headers off
20 OUTPUT 707;":FUNCTION2:VERTICAL:OFFSET?"
30 ENTER 707;Value
40 PRINT Value
50 END
```

---

---

## VERTical:RANGe

**Command**                   :FUNctioN<N>:VERTical:RANGe <full\_scale\_range>

The :FUNctioN<N>:VERTical:RANGe command defines the full-scale vertical axis of the selected function. This automatically changes the mode from auto to manual, if the oscilloscope is not already in manual mode.

<N> An integer, 1 - 4, representing the selected function.

<full\_scale  
\_range> A real number for the full-scale vertical range, from 100E-18 to 10E15.

**Query**                       :FUNctioN<N>:VERTical:RANGe?

The :FUNctioN<N>:VERTical:RANGe? query returns the current range setting of the specified function.

**Returned Format**           [:FUNctioN<N>:VERTical:RANGe] <range><NL>

---

**Example**                   This example places the current vertical range setting of function 2 in the numeric variable, Value, then prints the contents to the computer's screen.

```
10 OUTPUT 707;":SYSTEM:HEADER OFF"!Response headers off
20 OUTPUT 707;":FUNCTION2:VERTICAL:RANGE?"
30 ENTER 707;Value
40 PRINT Value
50 END
```

---







---

# Hardcopy Commands

The HARDcopy subsystem commands set various parameters for printing the screen. The print sequence is activated when the root level command :PRINT is sent.

These HARDcopy commands and queries are implemented in the Infiniium Oscilloscopes:

- AREA
- DPrinter
- FACTors
- IMAGE
- PRINTers?

---

## AREA

**Command**                   :Hardcopy:AREA {GRATicule | SCReen}

The :Hardcopy:AREA command selects which data from the screen is to be printed. When you select GRATicule, only the graticule area of the screen is printed (this is the same as choosing Waveforms Only in the Configure Printer dialog box). When you select SCReen, the entire screen is printed.

---

**Example**                   This example selects the graticule for printing.

```
10  OUTPUT 707; ":HARDCOPY:AREA GRATICULE"
20  END
```

---

**Query**                     :Hardcopy:AREA?

The :Hardcopy:AREA? query returns the current setting for the area of the screen to be printed.

**Returned Format**       [:Hardcopy:AREA] {GRATicule | SCReen}<NL>

---

**Example**                   This example places the current selection for the area to be printed in the string variable, Selection\$, then prints the contents of the variable to the computer's screen.

```
10  DIM Selection$[50]!Dimension variable
20  OUTPUT 707; ":HARDCOPY:AREA?"
30  ENTER 707;Selection$
40  PRINT Selection$
50  END
```

---

---

## DPRinter

**Command**           :Hardcopy:DPRinter  
                      {<printer\_number> | <printer\_string>}

The :Hardcopy:DPRinter command selects the default printer to be used.

<printer\_number> An integer representing the attached printer. This number corresponds to the number returned with each printer name by the :Hardcopy:PRINTers? query.

<printer\_string> A string of alphanumeric characters representing the attached printer.  
The :Hardcopy:DPRinter command specifies a number or string for the printer attached to the oscilloscope. The printer string must exactly match the character strings in the File->Print Setup dialog boxes, or the strings returned by the :Hardcopy:PRINTers? query.

---

**Examples**           This example sets the default printer to the second installed printer returned by the :Hardcopy:PRINTers? query.

```
10 OUTPUT 707; ":HARDCOPY:DPRINTER 2"  
20 END
```

This example sets the default printer to the installed printer with the name "HP Laser".

```
10 OUTPUT 707; ":HARDCOPY:DPRINTER "HP Laser" "  
20 END
```

**Query**                   :Hardcopy:DPrinter?

The :Hardcopy:DPrinter? query returns the current printer number and string.

**Returned Format**       [:Hardcopy:DPrinter?]  
                          {<printer\_number>, <printer\_string>, DEFAULT}<NL>

Or, if there is no default printer (no printers are installed), only a <NL> is returned.

---

**Example**

This example places the current setting for the hard copy printer in the string variable, Setting\$, then prints the contents of the variable to the computer's screen.

```
10 DIM Setting$[50]!Dimension variable
20 OUTPUT 707;":HARDCOPY:DPrinter?"
30 ENTER 707;Setting$
40 PRINT Setting$
50 END
```

---

**Programs Must Wait After Changing the Default Printer**

**It takes several seconds to change the default printer. Any programs that try to set the default printer must wait (10 seconds is a safe amount of time) for the change to complete before sending other commands. Otherwise, the oscilloscope will become unresponsive.**

---

## FACTors

**Command**                   :Hardcopy:FACTors {{ON|1} | {OFF|0}}

The :Hardcopy:FACTors command determines whether the oscilloscope setup factors will be appended to screen or graticule images. FACTors ON is the same as choosing Include Setup Information in the Configure Printer dialog box.

---

**Example**                   This example turns on the setup factors.

```
10  OUTPUT 707; ":HARDCOPY:FACTORS ON"
20  END
```

---

**Query**                    :Hardcopy:FACTors?

The :Hardcopy:FACTors? query returns the current setup factors setting.

**Returned Format**       [:Hardcopy:FACTors] {1|0}<NL>

---

**Example**                   This example places the current setting for the setup factors in the string variable, Setting\$, then prints the contents of the variable to the computer's screen.

```
10  DIM Setting$[50]!Dimension variable
20  OUTPUT 707; ":HARDCOPY:FACTORS?"
30  ENTER 707;Setting$
40  PRINT Setting$
50  END
```

---

---

## IMAGE

**Command**                   : HARDcopy: IMAGE {NORMAL | INVert}

The :HARDcopy:IMAGE command prints the image normally, inverted, or in monochrome. IMAGE INVert is the same as choosing Invert Waveform Colors in the Configure Printer dialog box.

---

**Example**                    This example sets the hard copy image output to normal.

```
10  OUTPUT 707; ":HARDCOPY:IMAGE NORMAL"
20  END
```

---

**Query**                     : HARDcopy: IMAGE?

The :HARDcopy:IMAGE? query returns the current image setting.

**Returned Format**       [:HARDcopy: IMAGE] {NORMAL | INVert}<NL>

---

**Example**                    This example places the current setting for the hard copy image in the string variable, Setting\$, then prints the contents of the variable to the computer's screen.

```
10  DIM Setting$[50]!Dimension variable
20  OUTPUT 707; ":HARDCOPY:IMAGE?"
30  ENTER 707;Setting$
40  PRINT Setting$
50  END
```

---

---

## PRINTers?

**Query** :HARDcopy:PRINTers?

The :HARDcopy:PRINTers? query returns the currently available printers.

**Returned Format** [:HARDcopy:PRINTers?]  
<printer\_count><NL><printer\_data><NL>[, <printer\_data><NL>]

<printer\_count> The number of printers currently installed.

<printer\_data> The printer number and the name of an installed printer. The word DEFAULT appears next to the printer that is the currently selected default printer.

The <printer\_data> return string has the following format:  
<printer\_number>,<printer\_string>{,DEFAULT}

---

**Example** This example places the number of installed printers into the variable Count, loops through it that number of times, and prints the installed printer names to the computer's screen.

```
10 DIM Setting$[50]!Dimension variable
20 OUTPUT 707;" :HARDCOPY:PRINTERS?"
30 ENTER 707;Count
40 IF Count>0 THEN
50 FOR Printer_number=1 TO Count
60 ENTER 707;Setting$
70 PRINT Setting$
80 NEXT Printer_number
90 END IF
100 END
```

---





---

# Histogram Commands

The HISTogram commands and queries control the histogram features. A histogram is a probability distribution that shows the distribution of acquired data within a user-definable histogram window.

You can display the histogram either vertically, for voltage measurements, or horizontally, for timing measurements.

The most common use for histograms is measuring and characterizing noise or jitter on displayed waveforms. Noise is measured by sizing the histogram window to a narrow portion of time and observing a vertical histogram that measures the noise on a waveform. Jitter is measured by sizing the histogram window to a narrow portion of voltage and observing a horizontal histogram that measures the jitter on an edge.

These HISTogram commands and queries are implemented in the Infiniium Oscilloscopes:

- AXIS
- MODE
- SCALE:SIZE
- WINDOW:DEFAULT
- WINDOW:SOURCE
- WINDOW:X1Position|LLIMit
- WINDOW:X2Position|RLIMit
- WINDOW:Y1Position|BLIMit
- WINDOW:Y2Position|TLIMit

## **Histograms and the database**

The histograms, mask testing, and color grade persistence use a specific database that uses a different memory area from the waveform record for each channel. When any of these features are turned on, the oscilloscope starts building the database. The database is the size of the graticule area. Behind each pixel is a 21-bit counter that is incremented each time data from a channel or function hits a pixel. The maximum count (saturation) for each counter is 2,097,151. You can use the DISPLAY:CGRAde:LEVels command to see if any of the counters are close to saturation.

The database continues to build until the oscilloscope stops acquiring data or all both features (color grade persistence and histograms) are turned off. You can clear the database by turning off all three features that use the database.

The database does not differentiate waveforms from different channels or functions. If three channels are on and the waveform from each channel happens to light the same pixel at the same time, the counter is incremented by three. However, it is not possible to tell how many hits came from each waveform. To separate waveforms, you can position the waveforms vertically with the channel offset. By separating the waveforms, you can avoid overlapping data in the database caused by multiple waveforms. Even if the display is set to show only the most recent acquisition, the database keeps track of all pixel hits while the database is building.

Remember that color grade persistence, mask testing, and histograms all use the same database. Suppose that the database is building because color grade persistence is ON; when mask testing or histograms are turned on, they can use the information already established in the database as though they had been turned on the entire time.

To avoid erroneous data, clear the display after you change oscilloscope setup conditions or DUT conditions and acquire new data before extracting measurement results.

---

## AXIS

**Command**           :HIStogram:AXIS {VERTical | HORizontal}

The :HIStogram:AXIS command selects the type of histogram. A horizontal histogram can be used to measure time related information like jitter. A vertical histogram can be used to measure voltage related information like noise.

---

**Example**           This example defines a vertical histogram.

```
10 OUTPUT 707;":HISTOGRAM:AXIS VERTICAL"  
20 END
```

---

**Query**             :HIStogram:AXIS?

The :HIStogram:AXIS? query returns the currently selected histogram type.

**Returned Format**   [:HIStogram:AXIS] {VERTical | HORizontal}<NL>

---

**Example**           This example returns the histogram type and prints it to the computer's screen.

```
10 DIM Axis$[50]  
20 OUTPUT 707;":HISTOGRAM:AXIS?"  
30 ENTER 707;Axis$  
40 PRINT Axis$  
50 END
```

---

---

## MODE

**Command**           :HIStogram:MODE {OFF | WAVEforms | MEASurement}

The :HIStogram:MODE command selects the histogram mode. The histogram may be off or set to track the waveforms or measurements.

---

**Example**           This example sets the histogram mode to track the waveforms.

```
10 OUTPUT 707;" :HISTOGRAM:MODE WAVEFORM"  
20 END
```

---

**Query**             :HIStogram:MODE?

The :HIStogram:MODE? query returns the currently selected histogram mode.

**Returned Format**   [:HIStogram:MODE] {OFF | WAVEform | MEASurement}<NL>

---

**Example**           This example returns the result of the mode query and prints it to the computer's screen.

```
10 DIM Mode$[10]  
20 OUTPUT 707;" :HISTOGRAM:MODE?"  
30 ENTER 707;Mode$  
40 PRINT Mode$  
50 END
```

---

## Histogram Commands

### SCALE:SIZE

---

## SCALE:SIZE

**Command** :HISTogram:SCALE:SIZE <size>

The :HISTogram:SCALE:SIZE command sets histogram size for vertical and horizontal mode.

<size> The size is from 1.0 to 8.0 for the horizontal mode and from 1.0 to 10.0 for the vertical mode.

---

**Example** This example sets the histogram size to 3.5.

```
10 OUTPUT 707;" :HISTOGRAM:SCALE:SIZE 3.5"  
20 END
```

---

**Query** :HISTogram:SCALE:SIZE?

The :HISTogram:SCALE:SIZE? query returns the correct size of the histogram.

**Returned Format** [:HISTogram:SCALE:SIZE] <size><NL>

---

**Example** This example returns the result of the size query and prints it to the computer's screen.

```
10 DIM Size$[50]  
20 OUTPUT 707;" :HISTOGRAM:SCALE:SIZE?"  
30 ENTER 707;Size$  
40 PRINT Size$  
50 END
```

---

---

## WINDow:DEFault

**Command**                   :HISTogram:WINDow:DEFault

The :HISTogram:WINDow:DEFault command positions the histogram markers to a default location on the display. Each marker will be positioned one division off the left, right, top, and bottom of the display.

---

**Example**                   This example sets the histogram window to the default position.

```
10 OUTPUT 707; " :HISTOGRAM:WINDOW:DEFAULT"  
20 END
```

---

---

## WINDow:SOURce

**Command**           :HIStogram:WINDow:SOURce {CHANnel<N> | FUNction<N>  
                      | WMEMory<N>}

The :HIStogram:WINDow:SOURce command selects the source of the histogram window. The histogram window will track the source's vertical and horizontal scale.

<N> For channels: the number represents an integer, 1 through 4.  
For waveform memories: 1, 2, 3, or 4.  
For functions: 1 or 2

---

**Example**           This example sets the histogram window's source to Channel 1.

```
10 OUTPUT 707; ":HISTOGRAM:WINDOW:SOURCE CHANNEL1"  
20 END
```

---

**Query**             :HIStogram:WINDow:SOURce?

The :HIStogram:WINDow:SOURce? query returns the currently selected histogram window source.

**Returned Format**   [:HIStogram:WINDow:SOURce] {CHANnelN | FUNctionN |  
                      WMEMoryN}<NL>

---

**Example**           This example returns the result of the window source query and prints it to the computer's screen.

```
10 DIM Winsour$[50]  
20 OUTPUT 707; ":HISTOGRAM:WINDOW:SOURCE?"  
30 ENTER 707;Winsour$  
40 PRINT Winsour$  
50 END
```

---



---

## WINDOW:X1Position | LLIMit

**Command**           :HIStogram:WINDow:X1Position <x1\_position>

or

:HIStogram:WINDow:LLIMit <x1\_position>

The :HIStogram:WINDow:X1Position command moves the X1 marker (left limit) of the histogram window. The histogram window determines the portion of the display used to build the database for the histogram. The histogram window markers will track the scale of the histogram window source.

<x1\_position> A real number that represents the left boundary of the histogram window.

---

### Example

This example sets the X1 position to -200 microseconds.

```
10 OUTPUT 707;" :HISTOGRAM:WINDOW:X1POSITION -200E-6"  
20 END
```

---

### Query

:HIStogram:WINDow:X1Position?

:HIStogram:WINDow:LLIMit?

The :HIStogram:WINDow:X1Position? query returns the value of the X1 histogram window marker.

---

### Returned Format

[ :HIStogram:WINDow:X1Position ] <x1\_position><NL>

---

### Example

This example returns the result of the X1 position query and prints it to the computer's screen.

```
10 DIM X1$[50]  
20 OUTPUT 707;" :HISTOGRAM:WINDOW:X1POSITION?"  
30 ENTER 707;X1$  
40 PRINT X1$  
50 END
```

---

## WINDow:X2Position | RLIMit

**Command**           :HIStogram:WINDow:X2Position <x2\_position>

or

:HIStogram:WINDow:RLIMit <x2\_position>

The :HIStogram:WINDow:X2Position command moves the X2 marker (right limit) of the histogram window. The histogram window determines the portion of the display used to build the database used for the histogram. The histogram window markers will track the scale of the histogram window source.

<x2\_position> A real number that represents the right boundary of the histogram window.

---

**Example**           This example sets the X2 marker to 200 microseconds.

```
10 OUTPUT 707;" :HISTOGRAM:WINDOW:X2POSITION 200E-6"  
20 END
```

---

**Query**             :HIStogram:WINDow:X2Position?

:HIStogram:WINDow:RLIMit?

The :HIStogram:WINDow:X2Position? query returns the value of the X2 histogram window marker.

**Returned Format**   [:HIStogram:WINDow:X2Position] <x2\_position><NL>

---

**Example**           This example returns the result of the X2 position query and prints it to the computer's screen.

```
10 DIM X2$[50]  
20 OUTPUT 707;" :HISTOGRAM:WINDOW:X2POSITION?"  
30 ENTER 707;X2$  
40 PRINT X2$  
50 END
```

---

## WINDOW:Y1Position | BLIMit

**Command** :HISTogram:WINDow:Y1Position <y1\_POSITION>

or

:HISTogram:WINDow:BLIMit <y1\_POSITION>

The :HISTogram:WINDow:Y1Position command moves the Y1 marker (bottom limit) of the histogram window. The histogram window determines the portion of the display used to build the database used for the histogram. The histogram window markers will track the scale of the histogram window source.

<y1\_position> A real number that represents the bottom boundary of the histogram window.

---

### Example

This example sets the position of the Y1 marker to -250 mV.

```
10 OUTPUT 707;" :HISTOGRAM:WINDOW:Y1POSITION -250E-3"  
20 END
```

---

### Query

:HISTogram:WINDow:Y1Position?

:HISTogram:WINDow:BLIMit?

The :HISTogram:WINDow:Y1Position? query returns the value of the Y1 histogram window marker.

---

### Returned Format

[ :HISTogram:WINDow:Y1Position ] <y1\_position><NL>

---

### Example

This example returns the result of the Y1 position query and prints it to the computer's screen.

```
10 DIM Y1$[50]  
20 OUTPUT 707;" :HISTOGRAM:WINDOW:Y1POSITION?"  
30 ENTER 707;Y1$  
40 PRINT Y1$  
50 END
```

---

## WINDow:Y2Position | TLIMit

**Command**           :HIStogram:WINDow:Y2Position <y2\_position>

or

:HIStogram:WINDow:TLIMit <y2\_position>

The :HIStogram:WINDow:Y2Position command moves the Y2 marker (top limit) of the histogram window. The histogram window determines the portion of the display used to build the database used for the histogram. The histogram window markers will track the scale of the histogram window source.

<y2\_position> A real number that represents the top boundary of the histogram window.

---

### Example

This example sets the position of the Y2 marker to 250 mV.

```
10 OUTPUT 707;" :HISTOGRAM:WINDOW:Y2POSITION 250E-3"  
20 END
```

---

### Query

:HIStogram:WINDow:Y2Position?

:HIStogram:WINDow:TLIMit?

The :HIStogram:WINDow:Y2Position? query returns the value of the Y2 histogram window marker.

---

### Returned Format

[ :HIStogram:WINDow:Y2Position] <y2\_position><NL>

---

### Example

This example returns the result of the Y2 position query and prints it to the computer's screen.

```
10 DIM Y2$[50]  
20 OUTPUT 707;" :HISTOGRAM:WINDOW:Y2POSITION?"  
30 ENTER 707;Y2$  
40 PRINT Y2$  
50 END
```



---

# InfiniiScan (ISCan) Commands

The ISCan commands and queries control the InfiniiScan feature of the oscilloscope. InfiniiScan provides several ways of searching through the waveform data to find unique events.

The ISCan subsystem contains the following commands:

- DELay
- MEASurement
- MODE
- NONMonotonic
- RUNT
- SERial
- ZONE

---

## DElay

**Command**            :IScan:DElay {OFF | <delay\_time>}

The :IScan:DElay command sets the delay time from when the hardware trigger occurs and when InfiniiScan tries to find the waveform event that has been defined.

OFF Turns off the delay from the hardware trigger.

<delay\_time> Sets the amount of time that the InfiniiScan trigger is delayed from the hardware trigger.

---

**Example**            The following example causes the oscilloscope to delay by 1  $\mu$ s.

```
10 OUTPUT 707;":ISCAN:DElay 1E-06"
20 END
```

---

**Query**                :IScan:DElay?

The query returns the current set delay value.

**Returned Format**    [:IScan:DElay] {OFF | <delay\_time>}<NL>

---

**Example**            The following example returns the current delay value and prints the result to the controller's screen.

```
10 OUTPUT 707;":SYSTEM:HEADER OFF"!Response headers off
20 OUTPUT 707;":ISCAN:DElay?"
30 ENTER 707;Value
40 PRINT Value
50 END
```

---

## MEASurement:FAIL

**Command**           :ISCan:MEASurement:FAIL {INSide | OUTSide}

The :ISCan:MEASurement:FAIL command sets the fail condition for an individual measurement. The conditions for a test failure are set on the measurement selected by the :ISCan:MEASurement command.

When a measurement failure is detected by the limit test the oscilloscope triggers and the trigger action is executed.

**INSide**   INSide causes the oscilloscope to fail a test when the measurement results are within the parameters set by the :ISCan:MEASurement:LIMit and :ISCan:MEASurement:ULIMit commands.

**OUTSide**   OUTSide causes the oscilloscope to fail a test when the measurement results exceed the parameters set by the :ISCan:MEASurement:LLIMit and the :ISCan:MEASurement:ULIMit commands.

---

**Example**           The following example causes the oscilloscope to trigger when the measurements are outside the lower or upper limits.

```
10  OUTPUT 707; " :ISCAN:MEASUREMENT:FAIL OUTSIDE"  
20  END
```

---

**Query**            :ISCan:MEASurement:FAIL?

The query returns the current set fail condition.

---

**Returned Format**   [:ISCan:MEASurement:FAIL] {INSide | OUTSide}<NL>

---

**Example**           The following example returns the current fail condition and prints the result to the controller's screen.

```
10  DIM FAIL$[50]  
20  OUTPUT 707; " :ISCAN:MEASUREMENT:FAIL?"  
30  ENTER 707;FAIL$  
40  PRINT FAIL$  
50  END
```



---

## MEASurement:LLIMit

**Command** :ISCan:MEASurement:LLIMit <lower\_value>

The :ISCan:MEASurement:LLIMit (lower limit) command sets the lower test limit for the currently selected measurement. The :ISCan:MEASurement command selects the measurement used.

<lower\_value> A real number.

---

### Example

The following example sets the lower test limit to 1.0.

```
10 OUTPUT 707;":ISCAN:MEASUREMENT:LLIMIT 1.0"  
20 END
```

If, for example, you chose to measure volts peak-peak and want the smallest acceptable signal swing to be one volt, you could use the above command, then set the measurement limit to trigger when the signal is outside the specified limit.

---

### Query

:ISCan:MEASurement:LLIMit?

The query returns the current value set by the command.

---

### Returned Format

[ :ISCan:MEASurement:LLIMit ]<lower\_value><NL>

---

### Example

The following example returns the current lower test limit and prints the result to the controller's screen.

```
10 OUTPUT 707;":SYSTEM:HEADER OFF"!Response headers off  
20 OUTPUT 707;":ISCAN:MEASUREMENT:LLIMIT?"  
30 ENTER 707;Value  
40 PRINT Value  
50 END
```

---

## MEASurement

**Command**           :ISCan:MEASurement {MEAS1 | MEAS2 | MEAS3 | MEAS4 | MEAS5}

The :ISCan:MEASurement command selects the current source for Measurement Limit Test Trigger. It selects one of the active measurements as referred to by their position in the Measurement tab area at the bottom of the screen. Measurements are numbered from left to right in the Measurements tab area of the screen.

---

**Example**            The following example selects the first measurement as the source for the limit testing commands.

```
10 OUTPUT 707;":ISCAN:MEASUREMENT MEAS1"  
20 END
```

---

**Query**             :ISCan:MEASurement?

The query returns the currently selected measurement source.

**Returned Format**   [:ISCan:MEASurement]{MEAS1 | MEAS2 | MEAS3 | MEAS4 | MEAS5}  
<NL>

---

**Example**            The following example returns the currently selected measurement source for the limit testing commands.

```
10 DIM SOURCE$[50]  
20 OUTPUT 707;":ISCAN:MEASUREMENT?"  
30 ENTER 707;SOURCE$  
40 PRINT SOURCE$  
50 END
```

---

**See Also**           Measurements are started by the commands in the Measurement Subsystem.

---

## MEASurement:TEST

**Command** :ISCan:MEASurement:TEST {{ON | 1} {OFF | 0}}

The :ISCan:MEASurement:TEST command enables or disables the measurement limit test trigger. Selecting ON allows the measurement limit test trigger to run using the currently selected measurement. The :ISCan:MEASurement command selects the measurement used.

---

**Example** The following example turns off the limit test function.

```
10 OUTPUT 707;" :ISCAN:MEASUREMENT:TEST OFF"  
20 END
```

---

**Query** :ISCan:MEASurement:TEST?

The query returns the state of the TEST control.

**Returned Format** [:ISCan:MEASurement:TEST] {1 | 0} <NL>

---

**Example** The following example returns the current state of the measurement limit test trigger and prints the result to the controller's screen.

```
10 DIM TEST$[50]  
20 OUTPUT 707;" :ISCAN:MEASUREMENT:TEST?"  
30 ENTER 707;TEST$  
40 PRINT TEST$  
50 END
```

---

---

## MEASurement:ULIMit

**Command** :ISCan:MEASurement:ULIMit <upper\_value>

The :ISCan:MEASurement:ULIMit (upper limit) command sets the upper test limit for the active measurement currently selected by the :ISCan:MEASurement command.

<upper\_value> A real number.

---

### Example

The following example sets the upper limit of the currently selected measurement to 500 mV.

```
10 OUTPUT 707; ":ISCAN:MEASUREMENT:ULIMIT 500E-3"
20 END
```

Suppose you are measuring the maximum voltage of a signal with Vmax, and that voltage should not exceed 500 mV. You can use the above program and set the :ISCan:MEASurement:FAIL OUTside command to specify that the oscilloscope will trigger when the voltage exceeds 500 mV.

**Query** :ISCan:MEASurement:ULIMit?

The query returns the current upper limit of the limit test.

**Returned Format** [:ISCan:MEASurement:ULIMit] <upper\_value><NL>

---

### Example

The following example returns the current upper limit of the limit test and prints the result to the controller's screen.

```
10 OUTPUT 707; ":SYSTEM:HEADER OFF"!Response headers off
20 OUTPUT 707; ":ISCAN:MEASUREMENT:ULIMIT?"
30 ENTER 707;Value
40 PRINT Value
50 END
```

---

---

## MODE

**Command**            `:IScan:MODE {OFF | MEASurement | NONMontonic | RUNT | SERIAL | ZONE}`

The :IScan:MODE command selects the type of InfiniiScan trigger mode. The Measurement, Runt, Zone Qualify, and Non-monotonic Edge InfiniiScan modes can be set using this command.

OFF Turns off the InfiniiScan trigger mode.

MEASurement Sets the Measurement Limit trigger mode.

NONMontonic Sets the Non-monotonic edge trigger mode.

RUNT Sets the Runt trigger mode.

SERIAL Sets the Serial trigger mode.

ZONE Sets the Zone Qualify trigger mode.

---

**Example**            The following example selects the runt trigger.

```
10 OUTPUT 707; ":ISCAN:MODE RUNT"
20 END
```

---

**Query**            `:IScan:MODE?`

The query returns the currently selected IniniiScan trigger mode.

**Returned Format**    `[ :IScan:MEASurement ] { OFF | MEASurement | NONMonotonic | RUNT | SERIAL | ZONE } <NL>`

---

**Example**            The following example returns the currently selected InfiniiScan trigger mode.

```
10 DIM MODE$ [50]
20 OUTPUT 707; ":ISCAN:MODE?"
30 ENTER 707;MODE$
40 PRINT MODE$
50 END
```

---

---

## NONMonotonic:EDGE

**Command** :IScan:NONMonotonic:EDGE {EITHer | FALLing | RISing}

The :IScan:NONMonotonic:EDGE command selects the rising edge, the falling edge, or either edge for the Non-monotonic edge trigger mode.

**EITHer** Sets the edge used by the Non-monotonic edge trigger to both rising and falling edges.

**FALLing** Sets the edge used by the Non-monotonic edge trigger to falling edges.

**RISing** Sets the edge used by the Non-monotonic edge trigger to rising edges.

---

**Example** The following example selects the falling edge non-monotonic trigger.

```
10 OUTPUT 707;":ISCAN:NONMONOTONIC:EDGE FALLING"  
20 END
```

---

**Query** :IScan:NONMonotonic:EDGE?

The query returns the currently selected edge type for the Non-Monotonic Edge trigger.

**Returned Format** [:IScan:NONMonotonic:EDGE]{EITHer | FALLing | RISing}<NL>

---

**Example** The following example returns the currently selected edge type used for the Non-monotonic Edge trigger mode.

```
10 DIM SOURCE$[50]  
20 OUTPUT 707;":ISCAN:NONMONOTONIC:EDGE?"  
30 ENTER 707;SOURCE$  
40 PRINT SOURCE$  
50 END
```

---

## NONMonotonic:HYSteresis

**Command** :IScan:NONMonotonic:HYSteresis <value>

The :IScan:NONMonotonic:HYSteresis command sets the hysteresis value used for the Non-monotonic Edge trigger.

<value> is a real number for the hysteresis.

---

**Example** The following example sets the hysteresis value used by the Non-monotonic trigger mode to 10 mV.

```
10 OUTPUT 707;":ISCAN:NONMONOTONIC:HYSTERESIS 1E-2"  
20 END
```

---

**Query** :IScan:NONMonotonic:HYSteresis?

The query returns the hysteresis value used by the Non-monotonic Edge trigger mode.

**Returned Format** [:IScan:NONMonotonic:HYSteresis]<value><NL>

---

**Example** The following example returns and prints the value of the hysteresis.

```
10 OUTPUT 707;":SYSTEM:HEADER OFF"!Response headers off  
20 OUTPUT 707;":ISCAN:NONMONOTONIC:HYSTERESIS?"  
30 ENTER 707;Value  
40 PRINT Value  
50 END
```

---

## NONMonotonic:SOURce

**Command** :IScan:NONMonotonic:SOURce CHANnel<N>

The :IScan:NONMonotonic:SOURce command sets the source used for the Non-monotonic Edge trigger.

<N> is an integer from 1-4.

---

**Example** The following example sets the source used by the Non-monotonic trigger mode to channel 1.

```
10 OUTPUT 707;" :ISCAN:NONMONOTONIC:SOURCE CHANNEL1"  
20 END
```

---

**Query** :IScan:NONMonotonic:SOURce?

The query returns the source used by the Non-monotonic Edge trigger mode.

**Returned Format** [:IScan:NONMonotonic:SOURce]CHANnel<N><NL>

---

**Example** The following example returns the currently selected source for the Non-monotonic Edge trigger mode.

```
10 DIM SOURCE$[50]  
20 OUTPUT 707;" :ISCAN:NONMONTONIC:SOURCE?"  
30 ENTER 707;SOURCE$  
40 PRINT SOURCE$  
50 END
```



---

## RUNT:HYSTeresis

**Command** :ISCan:RUNT:HYSTeresis <value>

The :ISCan:RUNT:HYSTeresis command sets the hysteresis value used for the Runt trigger.

<value> is a real number for the hysteresis.

---

**Example** The following example sets the hysteresis value used by the Runt trigger mode to 10 mV.

```
10 OUTPUT 707;":ISCAN:RUNT:HYSTERESIS 1E-2"  
20 END
```

---

**Query** :ISCan:RUNT:HYSTersis?

The query returns the hysteresis value used by the Runt trigger mode.

**Returned Format** [:ISCan:RUNT:HYSTeresis]<value><NL>

---

**Example** The following example returns and prints the value of the hysteresis.

```
10 OUTPUT 707;":SYSTEM:HEADER OFF"!Response headers off  
20 OUTPUT 707;":ISCAN:RUNT:HYSTERESIS?"  
30 ENTER 707;Value  
40 PRINT Value  
50 END
```

---

## RUNT:LLEVel

**Command** :RUNT:LLEVel <lower\_level>

The :IScan:RUNT:LLEVel (lower level) command sets the lower level limit for the Runt trigger mode.

<lower\_level> A real number.

---

**Example** The following example sets the lower level limit to 1.0 V.

```
10 OUTPUT 707;":ISCAN:RUNT:LLEVel 1.0"  
20 END
```

---

**Query** :ISCAN:RUNT:LLEVel?

The query returns the lower level limit set by the command.

**Returned Format** [:ISCAN:RUNT:LLEVel] <lower\_level><NL>

---

**Example** The following example returns the current lower level used by the Runt trigger and prints the result to the controller's screen.

```
10 OUTPUT 707;":SYSTEM:HEADER OFF"!Response headers off  
20 OUTPUT 707;":ISCAN:RUNT:LLEVel?"  
30 ENTER 707;Value  
40 PRINT Value  
50 END
```

---

## RUNT:SOURce

**Command** :ISCan:RUNT:SOURce CHANnel<N>

The :ISCan:RUNT:SOURce command sets the source used for the Runt trigger.  
<N> is an integer from 1-4.

---

**Example** The following example sets the source used by the Runt trigger mode to channel 1.

```
10 OUTPUT 707;" :ISCAN:RUNT:SOURCE CHANNEL1"  
20 END
```

---

**Query** :ISCan:RUNT:SOURce?

The query returns the source used by the Runt trigger mode.

**Returned Format** [:ISCan:RUNT:SOURce]CHANnel<N><NL>

---

**Example** The following example returns the currently selected source for the Runt trigger mode.

```
10 DIM SOURCE$ [50]  
20 OUTPUT 707;" :ISCAN:RUNT:SOURCE?"  
30 ENTER 707;SOURCE$  
40 PRINT SOURCE$  
50 END
```

---

## RUNT:ULEVel

**Command** :ISCan:RUNT:ULEVel <upper\_level>

The :ISCan:RUNT:ULEVel (upper level) command sets the upper level limit for the Runt trigger mode.

<upper\_level> A real number.

---

**Example** The following example sets the upper level value used by the Runt trigger mode to 500 mV.

```
10 OUTPUT 707;":ISCAN:RUNT:ULEVEL 500E-3"  
20 END
```

---

**Query** :ISCan:RUNT:ULEVel?

The query returns the current upper level value used by the Runt trigger.

**Returned Format** [:ISCan:RUNT:ULEVel] <upper\_level><NL>

---

**Example** The following example returns the current upper level used by the Runt trigger and prints the result to the controller's screen.

```
10 OUTPUT 707;":SYSTEM:HEADER OFF"!Response headers off  
20 OUTPUT 707;":ISCAN:RUNT:ULEVel?"  
30 ENTER 707;Value  
40 PRINT Value  
50 END
```

---

## SERial:PATtern

**Command**                   :IScan:SERial:PATtern <pattern>

The :IScan:SERial:PATtern command sets the pattern used for the Serial trigger.

<pattern> is a 1, 0, or X binary character string of up to 80 characters. The pattern can only be expressed in the binary format.

---

**Example**                   The following example sets the pattern used by the Serial trigger to 101100.

```
10  OUTPUT 707;" :ISCAN:SERIAL:PATTERN "101100"
20  END
```

---

**Query**                     :IScan:SERial:PATtern?

The query returns the pattern used by the Serial trigger mode.

**Returned Format**       [:IScan:SERial:PATtern]<pattern><NL>

---

**Example**                   The following example returns the currently selected pattern for the Serial trigger mode.

```
10  DIM PATTERN$(80)
20  OUTPUT 707;" :ISCAN:SERIAL:PATTERN?"
30  ENTER 707;PATTERN$
40  PRINT PATTERN$
50  END
```

---

## SERial:SOURce

**Command** :ISCan:SERial:SOURce CHANnel<N>

The :ISCan:SERial:SOURce command sets the source used for the Serial trigger.  
<N> is an integer from 1-4.

---

**Example** The following example sets the source used by the Serial trigger mode to channel 1.

```
10 OUTPUT 707;":ISCAN:SERIAL:SOURCE CHANNEL1"  
20 END
```

---

**Query** :ISCan:SERial:SOURce?

The query returns the source used by the Serial trigger mode.

**Returned Format** [:ISCan:SERial:SOURce]CHANnel<N><NL>

---

**Example** The following example returns the currently selected source for the Serial trigger mode.

```
10 DIM SOURCE$[50]  
20 OUTPUT 707;":ISCAN:SERIAL:SOURCE?"  
30 ENTER 707;SOURCE$  
40 PRINT SOURCE$  
50 END
```

---

## ZONE<N>:MODE

**Command** :IScan:ZONE<N>:MODE {INTersect | NOTintersect}

The :IScan:ZONE<N>:MODE command sets the Zone Qualify trigger mode. For the INTersect mode, the waveform must enter the zone region to qualify as a valid waveform. For NOTintersect mode, the waveform cannot enter a zone region to qualify as a valid waveform.

<N> is an integer from 1-4.

---

**Example** The following example sets the mode to intersect for zone 1.

```
10 OUTPUT 707; ":ISCAN:ZONE1:MODE INTERSECT"  
20 END
```

---

**Query** :IScan:ZONE<N>:MODE?

The query returns the mode used by zone 1.

**Returned Format** [:IScan:ZONE<N>:MODE]{INTersect | NOTintersect}<NL>

---

**Example** The following example returns the currently selected mode for zone 1.

```
10 DIM MODE$[50]  
20 OUTPUT 707; ":ISCAN:ZONE1:MODE?"  
30 ENTER 707;MODE$  
40 PRINT MODE$  
50 END
```

---

---

## ZONE<N>:PLACement

**Command**           : IScan: ZONE<N>: PLACement  
                  <width>, <height>, <x\_center>, <y\_center>

The :IScan:ZONE<N>:PLACement command sets the location and size of a zone for the zone qualify trigger mode.

<N> is an integer from 1-4.

<width> a real number defining the width of a zone in seconds.

<height> is a real number defining the height of a zone in volts.

<x\_center> is a real number defining the x coordinate of the center of the zone in seconds.

<y\_center> is a real number defining the y coordinate of the center of the zone in volts.

---

**Example**           The following example sets the size of zone 1 to be 500 ps wide and 0.5 volts high and centered about the xy coordinate of 1.5 ns and 1 volt.

```
10  OUTPUT 707; " : ISCAN: ZONE1: PLACEMENT 500e-12, 0.5, 1.5e9, 1"
20  END
```

---

**Query**             : IScan: ZONE<N>: PLACement?

The query returns the placement values used by zone 1.

**Returned Format**   [: IScan: ZONE<N>: PLACement] <width>, <height>, <x\_center>,  
                  <y\_center><NL>

---

**Example**           The following example returns the current placement values for zone 1.

```
10  DIM PLACEMENT$ [50]
20  OUTPUT 707; " : ISCAN: ZONE1: PLACEMENT?"
30  ENTER 707; PLACEMENT$
40  PRINT PLACEMENT$
50  END
```



---

## ZONE:SOURce

**Command** : ISCan:ZONE:SOURce CHANnel<N>

The :ISCan:ZONE:SOURce command sets the source used for the zone qualify trigger.

<N> is an integer from 1-4.

---

**Example** The following example sets the source used by the zone qualify trigger to channel 1.

```
10 OUTPUT 707;" : ISCAN:ZONE:SOURCE CHANNEL1"  
20 END
```

---

**Query** : ISCan:ZONE:SOURce?

The query returns the source used by the zone qualify trigger.

**Returned Format** [ : ISCan:ZONE:SOURce ] CHANnel<N><NL>

---

**Example** The following example returns the currently selected source for zone qualify trigger.

```
10 DIM SOURCE$ [50]  
20 OUTPUT 707;" : ISCAN:ZONE:SOURCE?"  
30 ENTER 707;SOURCE$  
40 PRINT SOURCE$  
50 END
```

---

---

**ZONE<N>:STATE**

**Command**           :ISCan:ZONE<N>:STATE {{ON | 1} | {OFF | 0}}

The :ISCan:ZONE<N>:STATE command turns a zone off or on for the zone qualify trigger.

<N> is an integer from 1-4.

---

**Example**           The following example turns on zone 2.

```
10 OUTPUT 707;" :ISCAN:ZONE2:STATE ON"  
20 END
```

---

**Query**             :ISCan:ZONE<N>:STATE?

The query returns the state value for a zone.

**Returned Format**   [:ISCan:ZONE<N>:STATE]{1 | 0}<NL>

---

**Example**           The following example returns the current state value for zone 2.

```
10 DIM STATE$[50]  
20 OUTPUT 707;" :ISCAN:ZONE2:STATE?"  
30 ENTER 707;STATE$  
40 PRINT STATE$  
50 END
```



---

# Limit Test Commands

The Limit Test commands and queries control the limit test features of the oscilloscope. Limit testing automatically compares measurement results with pass or fail limits. The limit test tracks up to four measurements. The action taken when the test fails is also controlled with commands in this subsystem.

The Limit Test subsystem contains the following commands:

- FAIL
- LLIMit (Lower Limit)
- MEASurement
- RESults?
- TEST
- ULIMit (Upper Limit)

---

## FAIL

**Command**           :LTESt:FAIL {INSide | OUTSide}

The :LTESt:FAIL command sets the fail condition for an individual measurement. The conditions for a test failure are set on the source selected with the last LTESt:MEASurement command.

When a measurement failure is detected by the limit test, the fail action conditions are executed, and there is the potential to generate an SRQ.

**INSide** FAIL INSide causes the oscilloscope to fail a test when the measurement results are within the parameters set by the LLTESt:LLIMit and LTESt:ULIMit commands.

**OUTSide** FAIL OUTSide causes the oscilloscope to fail a test when the measurement results exceed the parameters set by LTESt:LLIMit and LTESt:ULIMit commands.

---

**Example**           The following example causes the oscilloscope to fail a test when the measurements are outside the lower and upper limits.

```
10  OUTPUT 707;":LTESt:FAIL OUTSIDE"  
20  END
```

---

**Query**            :LTESt:FAIL?

The query returns the current set fail condition.

**Returned Format**   [:LTESt:FAIL] {INSide | OUTSide}<NL>

---

**Example**           The following example returns the current fail condition and prints the result to the controller's screen.

```
10  DIM FAIL$[50]  
20  OUTPUT 707;":LTESt:FAIL?"  
30  ENTER 707;FAIL$  
40  PRINT FAIL$  
50  END
```

---

## LLIMit

**Command** :LTEST:LLIMit <lower\_value>

The :LTEST:LLIMit (Lower LIMit) command sets the lower test limit for the active measurement currently selected by the :LTEST:MEASurement command.

<lower\_value> A real number.

---

**Example** The following example sets the lower test limit to 1.0.

```
10 OUTPUT 707;":LTEST:LLIMIT 1.0"  
20 END
```

If, for example, you chose to measure volts peak-peak and want the smallest acceptable signal swing to be one volt, you could use the above command, then set the limit test to fail when the signal is outside the specified limit.

---

**Query** :LTEST:LLIMit?

The query returns the current value set by the command.

**Returned Format** [:LTEST:LLIMIT]<lower\_value><NL>

---

**Example** The following example returns the current lower test limit and prints the result to the controller's screen.

```
10 DIM LLIM$[50]  
20 OUTPUT 707;":LTEST:LLIMIT?"  
30 ENTER 707;LLIM$  
40 PRINT LLIM$  
50 END
```

---

## MEASurement

**Command**                   :LTESt:MEASurement {MEAS1 | MEAS2 | MEAS3 | MEAS4 | MEAS5}

The :LTESt:MEASurement command selects the current source for Limit Test for the ULIMit and LLIMit commands. It selects one of the active measurements as referred to by their position in the measurement window on the bottom of the screen. Measurements are numbered from left to right.

---

**Example**                   The following example selects the first measurement as the source for the limit testing commands.

```
10 OUTPUT 707;" :LTESt:MEASUREMENT MEAS1"
20 END
```

---

**Query**                     :LTESt:MEASurement?

The query returns the currently selected measurement source.

**Returned Format**       [:LTESt:MEASurement]{MEAS1 | MEAS2 | MEAS3 | MEAS4 | MEAS5}  
<NL>

---

**Example**                   The following example returns the currently selected measurement source for the limit testing commands.

```
10 DIM SOURCE$[50]
20 OUTPUT 707;" :LTESt:MEASUREMENT?"
30 ENTER 707;SOURCE$
40 PRINT SOURCE$
50 END
```

---

**See Also**                 Measurements are started in the Measurement Subsystem.

## Limit Test Commands

### RESults?

---

## RESults?

**Query** `:LTEST:RESults? {MEAS1 | MEAS2 | MEAS3 | MEAS4 | MEAS5}`

The query returns the measurement results for selected measurement. The values returned are the failed minimum value (Fail Min), the failed maximum value (Fail Max), and the total number of measurements made (# of Meas).

**Returned Format** `[:LTEST:RESults] <fail_min>,<fail_max>,<num_meas><NL>`

<fail\_min> A real number representing the total number of measurements that have failed the minimum limit.

<fail\_max> A real number representing the total number of measurements that have failed the maximum limit.

<num\_meas> A real number representing the total number of measurements that have been made.

---

**Example** The following example returns the values for the limit test of measurement 1.

```
10 DIM RESULTS$[50]
20 OUTPUT 707;" :LTEST:RESults? MEAS1"
30 ENTER 707;RESULTS$
40 PRINT RESULTS$
50 END
```

---

**See Also** Measurements are started in the Measurement Subsystem.



---

## TEST

**Command** :LTEST:TEST {{ON | 1} {OFF | 0}}

The LTEST:TEST command controls the execution of the limit test function. ON allows the limit test to run over all of the active measurements. When the limit test is turned on, the limit test results are displayed on screen in a window below the graticule.

---

**Example** The following example turns off the limit test function.

```
10 OUTPUT 707;":LTEST:TEST OFF"
20 END
```

---

**Query** :LTEST:TEST?

The query returns the state of the TEST control.

**Returned Format** [:LTEST:TEST] {1 | 0} <NL>

---

**Example** The following example returns the current state of the limit test and prints the result to the controller's screen.

```
10 DIM TEST$(50)
20 OUTPUT 707;":LTEST:TEST?"
30 ENTER 707;TEST$
40 PRINT TEST$
50 END
```

---

The result of the MEAS:RESults? query has two extra fields when LimitTEST:TEST is ON (failures, total). Failures is a number and total is the total number of measurements made.

---

## ULIMit

**Command**           :LTESt:ULIMit <upper\_value>

The :LTESt:ULIMit (Upper LIMit) command sets the upper test limit for the active measurement currently selected by the last :LTESt:MEASurement command.

<upper\_value> A real number.

---

### Example

The following example sets the upper limit of the currently selected measurement to 500 milli.

```
10 OUTPUT 707;":LTESt:ULIMIT 500E-3"  
20 END
```

---

Suppose you are measuring the maximum voltage of a signal with Vmax, and that voltage should not exceed 500 mV. You can use the above program and set the LTESt:FAIL OUTside command to specify that the limit subsystem will fail a measurement when the voltage exceeds 500 mV.

**Query**               :LTESt:ULIMit?

The query returns the current upper limit of the limit test.

**Returned Format**   [:LTESt:ULIMit] <upper\_value><NL>

---

### Example

The following example returns the current upper limit of the limit test and prints the result to the controller's screen.

```
10 DIM ULIM$[50]  
20 OUTPUT 707;":LTESt:ULIMIT?"  
30 ENTER 707;ULIM$  
40 PRINT ULIM$  
50 END
```

---



---

# Marker Commands

The commands in the MARKer subsystem specify and query the settings of the time markers (X axis) and current measurement unit markers (volts, amps, and watts for the Y axis). You typically set the Y-axis measurement units using the :CHANnel:UNITs command.

These MARKer commands and queries are implemented in the Infiniium Oscilloscopes:

- CURSor?
- MEASurement:READout
- MODE
- TDELta?
- TSTArt
- TSTOp
- VDELta?
- VSTArt
- VSTOp
- X1Position
- X2Position
- X1Y1source
- X2Y2source
- XDELta?
- Y1Position
- Y2Position
- YDELta?

## **Guidelines for Using Queries in Marker Modes**

**In Track Waveforms mode, use :MARKer:CURSor? to track the position of the waveform. In Manual Markers and Track Measurements Markers modes, use other queries, such as the TSTArt? and TSTOp?, and VSTArt? and VSTOp? queries. If you use :MARKer:CURSor? when the oscilloscope is in either Manual Markers or Track Measurements Markers modes, it will put the oscilloscope in Track Waveforms mode, regardless of the mode previously selected.**

---

## CURSor?

**Query**                   :MARKer:CURSor? {DELTA | START | STOP}

The :MARKer:CURSor? query returns the time and current measurement unit values of the specified marker (if markers are in Track Waveforms mode) as an ordered pair of time and measurement unit values.

- If DELTA is specified, the value of delta Y and delta X are returned.
- If START is specified, marker A's x-to-y positions are returned.
- If STOP is specified, marker B's x-to-y positions are returned.

**Returned Format**       [:MARKer:CURSor] {DELTA | START | STOP}  
 {<Ax, Ay> | <Bx, By> | <deltaX, deltaY>}<NL>

---

**Example**               This example returns the current position of the X cursor and measurement unit marker 1 to the string variable, Position\$. The program then prints the contents of the variable to the computer's screen.

```
10 DIM Position$[50]!Dimension variable
20 OUTPUT 707;":MARKER:CURSOR? START"
30 ENTER 707;Position$
40 PRINT Position$
50 END
```

---

**CAUTION**           **The :MARKer:CURSor? query may change marker mode and results.**  
 In Track Waveforms mode, use :MARKer:CURSor? to track the position of the waveform. In Manual Markers and Track Measurements Markers modes, use other marker queries, such as the TSTArt? and TSTOp?, and VSTArt? and VSTOp? queries.

If you use :MARKer:CURSor? when the oscilloscope is in either Manual Markers or Track Measurements Markers modes, it will put the oscilloscope in Track Waveforms mode, regardless of the mode previously selected. In addition, measurement results may not be what you expected.

---

---

## MEASurement:READout

**Command**                   :MARKer:MEASurement:READout {{ON|1} | {OFF|0}}

The :MARKer:MEASurement:READout command controls the display of the marker position values.

ON|1 Shows marker position values.

OFF|0 Turns off marker position values.

**Query**                     :MARKer:MEASurement:READout?

The :MARKer:MEASurement:READout? query returns the current display of the marker position values.

**Returned Format**       {:MARKer:MEASurement:READout] {1|0}<NL>

---

**Example**                   This example displays the marker position values.

```
10  OUTPUT 707; " :MARKER:MEASUREMENT:READOUT ON"  
20  END
```

---

---

## MODE

**Command**                   :MARKer:MODE {OFF | MANual | WAVeform | MEASurement}

The :MARKer:MODE command sets the marker mode.

OFF Removes the marker information from the display.

MANual Enables manual placement of markers A and B.

WAVeform Tracks the current waveform.

MEASurement Tracks the most recent measurement.

---

**Example**                   This example sets the marker mode to waveform.

```
10 OUTPUT 707; ":MARKER:MODE WAVEFORM"
20 END
```

---

**Query**                    :MARKer:MODE?

The :MARKer:MODE? query returns the current marker mode.

**Returned Format**       [:MARKer:MODE] {OFF | MANual | WAVeform | MEASurement}<NL>

---

**Example**                   This example places the current marker mode in the string variable, Selection\$, then prints the contents of the variable to the computer's screen.

```
10 DIM Selection$[50]!Dimension variable
20 OUTPUT 707; ":MARKER:MODE?"
30 ENTER 707;Selection$
40 PRINT Selection$
50 END
```

---

---

## TDELta?

**Query** :MARKer:TDELta?

The :MARKer:TDELta? query returns the time difference between Ax and Bx time markers. The :MARKer:XDELta command described in this chapter does also.

**Use :MARKer:XDELta? Instead of :MARKer:TDELta?**

**The :MARKer:TDELta? query performs the same function as the :MARKer:XDELta? query. The :MARKer:TDELta? query is provided for compatibility with programs written for older oscilloscopes. You should use :MARKer:XDELta? for new programs.**

**Returned Format** [:MARKer:TDELta] <time><NL>

<time> The time difference between Ax and Bx time markers.

---

### Example

This example places the time difference between the Ax and Bx markers in the numeric variable, Time, then prints the contents of the variable to the computer's screen. Notice that this example uses the :MARKer:XDELta? query instead of the :MARKer:TDELta? query.

```
10 OUTPUT 707;" :SYSTEM:HEADER OFF"!Response headers off
20 OUTPUT 707;" :MARKER:XDELTA?"
30 ENTER 707;Time
40 PRINT Time
50 END
```

**Turn Headers Off**

**When receiving numeric data into numeric variables, turn off the headers. Otherwise, the headers may cause misinterpretation of returned data.**



---

## TSTArt

**Command**                   :MARKer:TSTArt <Ax\_position>

The :MARKer:TSTArt command sets the Ax marker position. The :MARKer:X1Position command described in this chapter also sets the Ax marker position.

**Use :MARKer:X1Position Instead of :MARKer:TSTArt**  
**The :MARKer:TSTArt command and query perform the same function as the :MARKer:X1Position command and query. The :MARKer:TSTArt command is provided for compatibility with programs written for previous oscilloscopes. You should use :MARKer:X1Position for new programs.**

<Ax\_position> A real number for the time at the Ax marker, in seconds.

---

**Example**                   This example sets the Ax marker at 90 ns. Notice that this example uses the X1Position command instead of TSTArt.

```
10  OUTPUT 707; " :MARKER:X1POSITION 90E-9"
20  END
```

---

**Query**                     :MARKer:TSTArt?

The :MARKer:TSTArt? query returns the time at the Ax marker.

**Returned Format**       [:MARKer:TSTArt] <Ax\_position><NL>

## Marker Commands

### TSTArt

---

#### Example

This example places the current setting of the Ax marker in the numeric variable, Setting, then prints the contents of the variable to the computer's screen. Notice that this example uses the :MARKer:X1Position? query instead of the :MARKer:TSTArt? query.

```
10 OUTPUT 707;":SYSTEM:HEADER OFF"!Response headers off"
20 OUTPUT 707;":MARKER:X1POSITION?"
30 ENTER 707;Setting
40 PRINT Setting
50 END
```

---

#### **Do Not Use TST as the Short Form of TSTArt and TSTOp**

**The short form of the TSTArt command and query does not follow the defined convention for short form commands. Because the short form, TST, is the same for TSTArt and TSTOp, sending TST produces an error. Use TSTA for TSTArt.**

---

## TSTOp

**Command**                   :MARKer:TSTOp <Bx\_position>

The :MARKer:TSTOp command sets the Bx marker position. The :MARKer:X2Position command described in this chapter also sets the Bx marker position.

**Use :MARKer:X2Position Instead of :MARKer:TSTOp**

**The :MARKer:TSTOp command and query perform the same function as the :MARKer:X2Position command and query. The :MARKer:TSTOp command is provided for compatibility with programs written for previous oscilloscopes. You should use :MARKer:X2Position for new programs.**

<Bx\_position> A real number for the time at the Bx marker, in seconds.

---

**Example**                   This example sets the Bx marker at 190 ns. Notice that this example uses the X2Position command instead of TSTOp.

```
10  OUTPUT 707; " :MARKER:X2POSITION 190E-9"
20  END
```

---

## Marker Commands

### TSTOp

**Query** :MARKer:TSTOp?

The :MARKer:TSTOp? query returns the time at the Bx marker position.

**Returned Format** [:MARKer:TSTOp] <Bx\_position><NL>

---

#### Example

This example places the current setting of the Bx marker in the numeric variable, Setting, then prints the contents of the variable to the computer's screen. Notice that this example uses the :MARKer:X2Position? query instead of the :MARKer:TSTOp? query.

```
10 OUTPUT 707;":SYSTEM:HEADER OFF"!Response headers off
20 OUTPUT 707;":MARKER:X2POSITION?"
30 ENTER 707;Setting
40 PRINT Setting
50 END
```

---

#### **Do Not Use TST as the Short Form of TSTArt and TSTOp**

**The short form of the TSTOp command and query does not follow the defined convention for short form commands. Because the short form, TST, is the same for TSTArt and TSTOp, sending TST produces an error. Use TSTO for TSTOp.**

---

## VDELta?

**Query**                   :MARKer:VDELta?

The :MARKer:VDELta? query returns the current measurement unit difference between markers Ay and By. The :MARKer:YDELta? query described in this chapter does also.

**Use :MARKer:YDELta? Instead of :MARKer:VDELta?**

**The :MARKer:VDELta? query performs the same function as the :MARKer:YDELta? query. The :MARKer:VDELta? query is provided for compatibility with programs written for previous oscilloscopes. You should use the :MARKer:YDELta? query for new programs.**

**Returned Format**       [:MARKer:VDELta] <value><NL>

<value> Current measurement unit difference between markers Ay and By.

---

**Example**

This example returns the voltage difference between Ay and By to the numeric variable, Volts, then prints the contents of the variable to the computer's screen. Notice that this example uses the :MARKer:YDELta? query instead of the :MARKer:VDELta? query.

```
10 OUTPUT 707;":SYSTEM:HEADER OFF"!Response headers off
20 OUTPUT 707;":MARKER:YDELTA?"
30 ENTER 707;Volts
40 PRINT Volts
50 END
```

---

## VSTArt

**Command**                   :MARKer:VSTArt <Ay\_position>

The :MARKer:VSTArt command sets the Ay marker position and moves the Ay marker to the specified measurement unit value on the specified source. The :MARKer:Y1Position command described in this chapter does also.

**Use :MARKer:Y1Position Instead of :MARKer:VSTArt**  
**The :MARKer:VSTArt command and query perform the same function as the :MARKer:Y1Position command and query. The :MARKer:VSTArt command is provided for compatibility with programs written for previous oscilloscopes. You should use :MARKer:Y1Position for new programs.**

<Ay\_position> A real number for the current measurement unit value at Ay (volts, amps, or watts).

---

**Example**                   This example sets Ay to -10 mV. Notice that this example uses the Y1Position command instead of VSTArt.

```
10  OUTPUT 707; ":MARKER:Y1POSITION -10E-3"  
20  END
```

---

**Query**                     :MARKer:VSTArt?

The :MARKer:VSTArt? query returns the current measurement unit level of Ay.

**Returned Format**       [:MARKer:VSTArt] <Ay\_position><NL>

---

**Example**

This example returns the voltage setting for Ay to the numeric variable, Value, then prints the contents of the variable to the computer's screen. Notice that this example uses the :MARKer:Y1Position? query instead of the :MARKer:VSTArt? query.

```
10 OUTPUT 707; ":SYSTEM:HEADER OFF"!Response headers off
20 OUTPUT 707; ":MARKER:Y1POSITION?"
30 ENTER 707;Value
40 PRINT Value
50 END
```

**Do Not Use VST as the Short Form of VSTArt and VSTOp**

**The short form of the VSTArt command and query does not follow the defined convention for short form commands. Because the short form, VST, is the same for VSTArt and VSTOp, sending VST produces an error. Use VSTA for VSTArt.**

---

## VSTOp

**Command**                   :MARKer:VSTOp <By\_position>

The :MARKer:VSTOp command sets the By marker position and moves By to the specified measurement unit on the specified source.

The :MARKer:Y2Position command described in this chapter does also.

<p><b>Use :MARKer:Y2Position Instead of :MARKer:VSTOp</b></p> <p><b>The :MARKer:VSTOp command and query perform the same function as the :MARKer:Y2Position command and query. The :MARKer:VSTOp command is provided for compatibility with programs written for previous oscilloscopes. You should use :MARKer:Y2Position for new programs.</b></p>
--

<By\_position> A real number for the current measurement unit value at By (volts, amps, or watts).

---

**Example**

This example sets By to -100 mV. Notice that this example uses the :MARKer:Y2Position command instead of :MARKer:VSTOp.

```
10 OUTPUT 707; " :MARKER:Y2POSITION -100E-3 "  
20 END
```

---

**Query**                   :MARKer:VSTOp?

The :MARKer:VSTOp? query returns the current measurement unit level at By.

**Returned Format**       [:MARKer:VSTOp] <By\_position><NL>



---

**Example**

This example returns the voltage at By to the numeric variable, Value, then prints the contents of the variable to the computer's screen. Notice that this example uses the :MARKer:Y2Position? query instead of the :MARKer:VSTOp? query.

```
10 OUTPUT 707;":SYSTEM:HEADER OFF"!Response headers off
20 OUTPUT 707;":MARKER:Y2POSITION?"
30 ENTER 707;Value
40 PRINT Value
50 END
```

---

**Do Not Use VST as the Short Form of VSTArt and VSTOp**

**The short form of the VSTOp command and query does not follow the defined convention for short form commands. Because the short form, VST, is the same for VSTArt and VSTOp, sending VST produces an error. Use VSTO for VSTOp.**

---

## X1Position

**Command**                   :MARKer:X1Position <Ax\_position>

The :MARKer:X1Position command sets the Ax marker position, and moves the Ax marker to the specified time with respect to the trigger time.

<Ax\_position> A real number for the time at the Ax marker in seconds.

---

**Example**                    This example sets the Ax marker to 90 ns.

```
10 OUTPUT 707; ":MARKER:X1POSITION 90E-9"
20 END
```

---

**Query**                     :MARKer:X1Position?

The :MARKer:X1Position? query returns the time at the Ax marker position.

**Returned Format**       [:MARKer:X1Position] <Ax\_position><NL>

---

**Example**                    This example returns the current setting of the Ax marker to the numeric variable, Value, then prints the contents of the variable to the computer's screen.

```
10 OUTPUT 707; ":SYSTEM:HEADER OFF"!Response headers off
20 OUTPUT 707; ":MARKER:X1POSITION?"
30 ENTER 707;Value
40 PRINT Value
50 END
```

---

**See Also**                 :MARKer:TSTArt

---

## X2Position

**Command**                   :MARKer:X2Position <Bx\_position>

The :MARKer:X2Position command sets the Bx marker position and moves the Bx marker to the specified time with respect to the trigger time.

<Bx\_position> A real number for the time at the Bx marker in seconds.

---

**Example**                   This example sets the Bx marker to 90 ns.

```
10 OUTPUT 707; ":MARKER:X2POSITION 90E-9"
20 END
```

---

**Query**                     :MARKer:X2Position?

The :MARKer:X2Position? query returns the time at Bx marker in seconds.

**Returned Format**       [:MARKer:X2Position] <Bx\_position><NL>

---

**Example**                   This example returns the current position of the Bx marker to the numeric variable, Value, then prints the contents of the variable to the computer's screen.

```
10 OUTPUT 707; ":SYSTEM:HEADER OFF"!Response headers off
20 OUTPUT 707; ":MARKER:X2POSITION?"
30 ENTER 707;Value
40 PRINT Value
50 END
```

---

---

## X1Y1source

**Command**           :MARKer:X1Y1source {CHANnel<N> | FUNction<N> |  
WMEMory<N>}

The :MARKer:X1Y1source command sets the source for the Ax and Ay markers. The channel you specify must be enabled for markers to be displayed. If the channel, function, or waveform memory that you specify is not on, an error message is issued and the query will return channel 1.

<N> CHANnel<N> is:

    An integer, 1 - 2, for two channel Infiniium Oscilloscopes.

    An integer, 1 - 4, for all other Infiniium Oscilloscope models.

FUNction<N> and WMEMory<N> are:

    Integers, 1 - 4, representing the selected function or waveform memory.

---

**Example**           This example selects channel 1 as the source for markers Ax and Ay.

```
10  OUTPUT 707; ":MARKER:X1Y1SOURCE CHANNEL1"  
20  END
```

---

**Query**           :MARKer:X1Y1source?

The :MARKer:X1Y1source? query returns the current source for markers Ax and Ay.

**Returned Format**   [:MARKer:X1Y1source] {CHANnel<N> | FUNction<N> |  
WMEMory<N>}<NL>

---

**Example**           This example returns the current source selection for the Ax and Ay markers to the string variable, Selection\$, then prints the contents of the variable to the computer's screen.

```
10  DIM Selection$[50]!Dimension variable  
20  OUTPUT 707; ":MARKER:X1Y1SOURCE?"  
30  ENTER 707;Selection$  
40  PRINT Selection$  
50  END
```

---

---

## X2Y2source

**Command**           :MARKer:X2Y2source {CHANnel<N> | FUNction<N> |  
WMEMory<N>}

The :MARKer:X2Y2source command sets the source for the Bx and By markers. The channel you specify must be enabled for markers to be displayed. If the channel, function, or waveform memory that you specify is not on, an error message is issued and the query will return channel 1.

<N> CHANnel<N> is:

    An integer, 1 - 2, for two channel Infiniium Oscilloscopes.

    An integer, 1 - 4, for all other Infiniium Oscilloscope models.

FUNction<N> and WMEMory<N> are:

    Integers, 1 - 4, representing the selected function or waveform memory.

---

**Example**           This example selects channel 1 as the source for markers Bx and By.

```
10  OUTPUT 707; ":MARKER:X2Y2SOURCE CHANNEL1"
20  END
```

---

**Query**             :MARKer:X2Y2source?

The :MARKer:X2Y2source? query returns the current source for markers Bx and By.

**Returned Format**   [:MARKer:X2Y2source] {CHANnel<N> | FUNction<N> |  
WMEMory<N>}<NL>

---

**Example**           This example returns the current source selection for the Bx and By markers to the string variable, Selection\$, then prints the contents of the variable to the computer's screen.

```
10  DIM Selection$[50]!Dimension variable
20  OUTPUT 707; ":MARKER:X2Y2SOURCE?"
30  ENTER 707;Selection$
40  PRINT Selection$
50  END
```

---

## Marker Commands

### XDELta?

---

## XDELta?

**Query** :MARKer:XDELta?

The :MARKer:XDELta? query returns the time difference between Ax and Bx time markers.

Xdelta = time at Bx – time at Ax

**Returned Format** [:MARKer:XDELta] <time><NL>

<time> Time difference between Ax and Bx time markers in seconds.

---

### Example

This example returns the current time between the Ax and Bx time markers to the numeric variable, Time, then prints the contents of the variable to the computer's screen.

```
10 OUTPUT 707;":SYSTEM:HEADER OFF"!Response headers off
20 OUTPUT 707;":MARKER:XDELTA?"
30 ENTER 707;Time
40 PRINT Time
50 END
```

---

## Y1Position

**Command**                   :MARKer:Y1Position <Ay\_position>

The :MARKer:Y1Position command sets the Ay marker position on the specified source.

<Ay\_position> A real number for the current measurement unit value at Ay (volts, amps, or watts).

---

**Example**

This example sets the Ay marker to 10 mV.

```
10 OUTPUT 707; ":MARKER:Y1POSITION 10E-3"
20 END
```

---

**Query**

:MARKer:Y1Position?

The :MARKer:Y1Position? query returns the current measurement unit level at the Ay marker position.

---

**Returned Format**

[ :MARKer:Y1Position ] <Ay\_position><NL>

---

**Example**

This example returns the current setting of the Ay marker to the numeric variable, Value, then prints the contents of the variable to the computer's screen.

```
10 OUTPUT 707; ":SYSTEM:HEADER OFF"!Response headers off
20 OUTPUT 707; ":MARKER:Y1POSITION?"
30 ENTER 707;Value
40 PRINT Value
50 END
```

---

## Y2Position

**Command**                   :MARKer:Y2Position <By\_position>

The :MARKer:Y2Position command sets the By marker position on the specified source.

<By\_position> A real number for the current measurement unit value at By (volts, amps, or watts).

---

**Example**                   This example sets the By marker to -100 mV.

```
10  OUTPUT 707; ":MARKER:Y2POSITION -100E-3"
20  END
```

---

**Query**                     :MARKer:Y2Position?

The :MARKer:Y2Position? query returns the current measurement unit level at the By marker position.

**Returned Format**       [:MARKer:Y2Position] <By\_position><NL>

---

**Example**                   This example returns the current setting of the By marker to the numeric variable, Value, then prints the contents of the variable to the computer's screen.

```
10  OUTPUT 707; ":SYSTEM:HEADER OFF"!Response headers off
20  OUTPUT 707; ":MARKER:Y2POSITION?"
30  ENTER 707;Value
40  PRINT Value
50  END
```

---



---

## YDELta?

**Query**                   :MARKer:YDELta?

The :MARKer:YDELta? query returns the current measurement unit difference between Ay and By.

Vdelta = value at By – value at Ay

**Returned Format**       [:MARKer:YDELta] <value><NL>

<value> Measurement unit difference between Ay and By.

---

### Example

This example returns the voltage difference between Ay and By to the numeric variable, Volts, then prints the contents of the variable to the computer's screen.

```
10 OUTPUT 707;":SYSTEM:HEADER OFF"!Response headers off
20 OUTPUT 707;":MARKER:YDELTA?"
30 ENTER 707;Volts
40 PRINT Volts
50 END
```





---

# Mask Test Commands

The MTEST subsystem commands and queries control the mask test features. Mask Testing automatically compares measurement results with the boundaries of a set of polygons that you define. Any waveform or sample that falls within the boundaries of one or more polygons is recorded as a failure.

These MTEST commands and queries are implemented in the Infiniium Oscilloscopes:

- ALIGn
- AlignFIT
- AMASk:CREate
- AMASk:SOURce
- AMASk:SAVE | STORe
- AMASk:UNITs
- AMASk:XDELta
- AMASk:YDELta
- AUTO
- AVERage
- AVERage:COUNT
- COUNT:FAILures?
- COUNT:FWAVEforms?
- COUNT:WAVEforms?
- DELeTe
- ENABle
- FOLDing (Clock Recovery software only)
- HAMPlitude
- IMPedance
- INVert
- LAMPlitude
- LOAD
- NREGions?

- PROBe:IMPedance?
- RUMode
- RUMode:SOFailure
- SCALe:BIND
- SCALe:X1
- SCALe:XDELta
- SCALe:Y1
- SCALe:Y2
- SOURce
- STARt | STOP
- STIME
- TITLe?
- TRIGger:SOURce

---

## ALIGN

**Command**            :MTEST:ALIGN

The :MTEST:ALIGN command automatically aligns and scales the mask to the current waveform on the display. The type of mask alignment performed depends on the current setting of the Use File Setup When Aligning control. See the :MTEST:AUTO command for more information.

---

**Example**            This example aligns the current mask to the current waveform.

```
10 Output 707;" :MTEST:ALIGN"  
20 END
```

---

## AlignFIT

**Command** :MTESt:AlignFIT {EYEAMI | EYECMI | EYENRZ | FANWidth | FAPeriod | FAPWidth | FYNWidth | FYPWidth | NONE | NWIDth | PWIDth | TMAX | TMIN}

The :MTESt:AlignFIT command specifies the alignment type for aligning a mask to a waveform. The pulse mask standard has rules that determine which controls the oscilloscope can adjust or change during the alignment process. An X in a column indicates that the control can be adjusted for each of the alignment types of Table 21-1.

**Table 23-1 Available Alignment Types**

Alignment Type	Waveform Type	Horizontal Position	0 Level Voltage	1 Level Voltage	Vertical Offset	Invert Waveform
EYEAMI	AMI	X	X	X		
EYECMI	CMI	X	X	X		
EYENRZ	NRZ	X	X	X		
FANWidth	Negative	X			X	X
FAPeriod	Full Period	X	X			
FAPWidth	Positive	X			X	X
FYNWidth	Negative	X	X			X
FYPWidth	Positive	X	X			X
NONE	Automask					
NWIDth	Negative Pulse	X	X	X		X
PWIDth	Positive Pulse	X	X	X		X
TMAX	Positive Sine Pulse	X	X	X		X
TMIN	Negative Sine Pulse	X	X	X		X

## Mask Test Commands

### AlignFIT

---

**Example**

This example specifies the alignment type to be EYEAMI.

```
10 Output 707; ":MTEST:ALIGNFIT EYEAMI "  
20 END
```

---

**Query**

:MTEST:AlignFIT?

The :MTEST:AlignFIT? query returns the alignment type used for the mask.

**Returned Format**

```
[ :MTEST:AlignFIT ] { EYEAMI | EYECMI | EYENRZ |  
FANWidth | FAPeriod | FAPWidth | FYNWidth |  
FYPWidth | NONE | NWIDTH | PWIDTH | TMAX | TMIN } <NL>
```



---

## AMASK:CREate

**Command** :MTEST:AMASK:CREate

The :MTEST:AMASK:CREate command automatically constructs a mask around the current selected channel, using the tolerance parameters defined by the AMASK:XDELta, AMASK:YDELta, and AMASK:UNITs commands. The mask only encompasses the portion of the waveform visible on the display, so you must ensure that the waveform is acquired and displayed consistently to obtain repeatable results.

The :MTEST:SOURce command selects the channel and should be set before using this command.

---

**Example**

This example creates an automask using the current XDELta and YDELta units settings.

```
10 OUTPUT 707; " :MTEST:AMASK:CREATE "  
20 END
```

---

## AMASK:SOURce

**Command** `:MTEST:AMASK:SOURce CHANnel<number>`

The `:MTEST:AMASK:SOURce` command selects the source for the interpretation of the `AMASK:XDELta` and `AMASK:YDELta` parameters when `AMASK:UNITs` is set to `CURRent`. When `UNITs` are `CURRent`, the `XDELta` and `YDELta` parameters are defined in terms of the channel units, as set by the `:CHANnel:UNITs` command, of the selected source. Suppose that `UNITs` are `CURRent` and that you set `SOURce` to `CHANNEL1`, which is using units of volts. Then you can define `AMASK:XDELta` in terms of volts and `AMASK:YDELta` in terms of seconds.

`<number>` An integer, 1 through 2 for the two channel Infiniium oscilloscope  
An integer, 1 through 4 for all other Infiniium oscilloscope models.

---

**Example** This example sets the automask source to Channel 1.

```
10 OUTPUT 707; "MTEST:AMASK:SOURce CHANNEL1"  
20 END
```

---

**Query** `:MTEST:AMASK:SOURce?`

The `:MTEST:AMASK:SOURce?` query returns the currently set source.

**Returned Format** `[ :MTEST:AMASK:SOURce ] CHANnel<number><NL>`

---

**Example** This example gets the source setting for automask and prints the result on the computer display.

```
10 DIM Amask_source$[30]  
20 OUTPUT 707; "MTEST:AMASK:SOURce?"  
30 ENTER 707;Amask_source$  
40 PRINT Amask_source$  
50 END
```

---

---

## AMASK:[SAVE | STORE]

**Command**                   :MTESt:AMASk: [SAVE|STORE] "<filename>"

The :MTESt:AMASk:SAVE command saves the automask generated mask to a file. If an automask has not been generated, an error occurs.

<filename> An MS-DOS compatible name of the file, a maximum of 254 characters long (including the path name, if used). The filename assumes the present working directory if a path does not precede the file name. The default save path is C:\SCOPE\MASKS.

---

### Example

This example saves the automask generated mask to a file named "FILE1".

```
10 OUTPUT 707;":MTESt:AMASk:SAVE" "FILE1" ""  
20 END
```

---

---

## AMASK:UNITs

**Command** :MTEST:AMASK:UNITs {CURRENT | DIVisions}

The :MTEST:AMASK:UNITs command alters the way the mask test subsystem interprets the tolerance parameters for automasking as defined by AMASK:XDELta and AMASK:YDELta commands.

**CURRENT** When set to CURRENT, the mask test subsystem uses the units as set by the :CHANnel:UNITs command, usually time for  $\Delta X$  and voltage for  $\Delta Y$ .

**DIVisions** When set to DIVisions, the mask test subsystem uses the graticule as the measurement system, so tolerance settings are specified as parts of a screen division. The mask test subsystem maintains separate XDELta and YDELta settings for CURRENT and DIVisions. Thus, XDELta and YDELta are not converted to new values when the UNITs setting is changed.

---

**Example** This example sets the measurement units for automasking to the current :CHANnel:UNITs setting.

```
10 OUTPUT 707;"MTEST:AMASK:UNITs CURRENT"  
20 END
```

---

**Query** :MTEST:AMASK:UNITs?

The AMASK:UNITs query returns the current measurement units setting for the mask test automask feature.

**Returned Format** [:MTEST:AMASK:UNITs] {CURRENT | DIVision}<NL>

---

**Example** This example gets the automask units setting, then prints the setting on the screen of the computer.

```
10 DIM Automask_units$[10]  
20 OUTPUT 707;"MTEST:AMASK:UNITs?"  
30 ENTER 707;Automask_units$  
40 PRINT Automask_units$  
50 END
```

---

## AMASK:XDELta

**Command** :MTEST:AMASK:XDELta <xdelta\_value>

The :MTEST:AMASK:XDELta command sets the tolerance in the X direction around the waveform for the automasking feature. The absolute value of the tolerance will be added and subtracted to horizontal values of the waveform to determine the boundaries of the mask.

<xdelta\_value> A value for the horizontal tolerance. This value is interpreted based on the setting specified by the AMASK:UNITs command; thus, if you specify 250-E3, the setting for AMASK:UNITs is CURRent, and the current setting specifies time in the horizontal direction, the tolerance will be  $\pm 250$  ms. If the setting for AMASK:UNITs is DIVisions, the same xdelta\_value will set the tolerance to  $\pm 250$  millidivisions, or 1/4 of a division.

---

### Example

This example sets the units to divisions and sets the  $\Delta X$  tolerance to one-eighth of a division.

```
10 OUTPUT 707;"MTEST:AMASK:UNITs DIVISIONs"  
20 OUTPUT 707;" :MTEST:AMASK:XDELTA 125E-3 "  
30 END
```

## Mask Test Commands

### AMASK:XDELta

**Query** :MTEST:AMASK:XDELta?

The AMASK:XDELta? query returns the current setting of the  $\Delta X$  tolerance for automasking. If your computer program will interpret this value, it should also request the current measurement system using the AMASK:UNITs query.

**Returned Format** [:MTEST:AMASK:XDELta] <xdelta\_value><NL>

---

#### Example

This example gets the measurement system units and  $\Delta X$  settings for automasking from the oscilloscope and prints the results on the computer screen.

```
10 DIM Automask_units$[10]
20 DIM Automask_xdelta$[20]
30 OUTPUT 707;"MTEST:AMASK:UNITs?"
40 ENTER 707;Automask_units$
50 OUTPUT 707;" :MTEST:AMASK:XDELTA?"
60 ENTER 707;Automask_xdelta$
70 PRINT Automask_units$
80 PRINT Automask_xdelta$
90 END
```

---

---

## AMASK:YDELta

**Command** :MTEST:AMASK:YDELta <ydelta\_value>

The :MTEST:AMASK:YDELta command sets the vertical tolerance around the waveform for the automasking feature. The absolute value of the tolerance will be added and subtracted to vertical values of the waveform to determine the boundaries of the mask.

This command requires that mask testing be enabled, otherwise a settings conflict error message is displayed. See :MTEST:ENABLE for information on enabling mask testing.

<ydelta\_value> A value for the vertical tolerance. This value is interpreted based on the setting specified by the AMASK:UNITS command; thus, if you specify 250-E3, the setting for AMASK:UNITS is CURRENT, and the current setting specifies voltage in the vertical direction, the tolerance will be  $\pm 250$  mV. If the setting for AMASK:UNITS is DIVISIONS, the same ydelta\_value will set the tolerance to  $\pm 250$  millidivisions, or 1/4 of a division.

---

### Example

This example sets the units to current and sets the  $\Delta Y$  tolerance to 30 mV, assuming that the current setting specifies volts in the vertical direction.

```
10 OUTPUT 707;"MTEST:AMASK:UNITS CURRENT"  
20 OUTPUT 707;" :MTEST:AMASK:YDELTA 30E-3"  
30 END
```

## Mask Test Commands

### AMASK:YDELta

**Query** :MTEST:AMASK:YDELta?

The AMASK:YDELta? query returns the current setting of the  $\Delta Y$  tolerance for automasking. If your computer program will interpret this value, it should also request the current measurement system using the AMASK:UNITs query.

**Returned Format** [:MTEST:AMASK:YDELta] <ydelta\_value><NL>

---

#### Example

This example gets the measurement system units and  $\Delta Y$  settings for automasking from the oscilloscope and prints the results on the computer screen.

```
10 DIM Automask_units$[10]
20 DIM Automask_ydelta$[20]
30 OUTPUT 707;"MTEST:AMASK:UNITs?"
40 ENTER 707;Automask_units$
50 OUTPUT 707;" :MTEST:AMASK:YDELTA?"
60 ENTER 707;Automask_ydelta$
70 PRINT Automask_units$
80 PRINT Automask_ydelta$
90 END
```

---



---

## AUTO

**Command**           : MTEST: AUTO { {ON|1} | {OFF|0} }

The :MTEST:AUTO command enables (ON) or disables (OFF) the Use File Setup When Aligning control. This determines which type of mask alignment is performed when the :MTEST:ALIGN command is sent. When enabled, the oscilloscope controls are changed to the values which are determined by the loaded mask file. This alignment guarantees that the aligned mask and any subsequent mask tests meet the requirements of the standard.

When disabled, the alignment is performed using the current oscilloscope settings. This may be useful when troubleshooting problems during the design phase of a project.

---

**Example**           This example enables the Use File Settings When Aligning control.

```
10 OUTPUT 707; "MTEST:AUTO ON"
20 END
```

---

**Query**             : MTEST: AUTO?

The :MTEST:AUTO? query returns the current value of the Use File Setup When Aligning control.

**Returned Format**   [:MTEST:AUTO] {1|0} <NL>

---

**Example**           10 OUTPUT 707; ":MTEST:AUTO?"

```
20 ENTER 707;Value
30 PRINT Value
40 END
```

---

---

## AVERage

**Command**           :MTESt:AVERage {{ON|1} | {OFF|0}}

The :MTESt:AVERage command enables or disables averaging. When ON, the oscilloscope acquires multiple data values for each time bucket, and averages them. When OFF, averaging is disabled. To set the number of averages, use the :MTESt:AVERage:COUnT command described next.

The :ACQuire:AVERage command performs the same function as this command.

Averaging is not available in PDEText mode.

---

**Example**           This example turns averaging on.

```
10 OUTPUT 707;"MTEST:AVERAGE ON"  
20 END
```

---

**Query**             :MTESt:AVERage?

The :MTESt:AVERage? query returns the current setting for averaging.

**Returned Format**   [:MTESt:AVERage] {1|0} <NL>

---

**Example**           This example places the current settings for averaging into the string variable, Setting\$, then prints the contents of the variable to the computer's screen.

```
10 DIM Setting$[50]   !Dimension variable  
20 OUTPUT 707;"MTEST:AVERAGE?"  
30 ENTER 707;Setting$  
40 PRINT Setting$  
50 END
```

---

---

## AVERage:COUNT

**Command** :MTEST:AVERage:COUNT <count\_value>

The :MTEST:AVERage:COUNT command sets the number of averages for the waveforms. In the AVERage mode, the :MTEST:AVERage:COUNT command specifies the number of data values to be averaged for each time bucket before the acquisition is considered complete for that time bucket.

The :ACQUIRE:AVERage:COUNT command performs the same function as this command.

<count\_value> An integer, 2 to 4096, specifying the number of data values to be averaged.

---

**Example** This example specifies that 16 data values must be averaged for each time bucket to be considered complete. The number of time buckets that must be complete for the acquisition to be considered complete is specified by the :MTEST:COMPLETE command.

```
10 OUTPUT 707; ":MTEST:AVERage:COUNT 16"
20 END
```

---

**Query** :MTEST:AVERage:COUNT?

The :MTEST:AVERage:COUNT? query returns the currently selected count value.

**Returned Format** [:MTEST:AVERage:COUNT] <value><NL>

<value> An integer, 2 to 4096, specifying the number of data values to be averaged.

---

**Example** This example checks the currently selected count value and places that value in the string variable, Result\$. The program then prints the contents of the variable to the computer's screen.

```
10 OUTPUT 707; ":SYSTEM:HEADER OFF"
20 OUTPUT 707; ":MTEST:AVERAGE:COUNT?"
30 ENTER 707;Result
40 PRINT Result
50 END
```

---

## COUNT:FAILures?

**Query**                   : MTEST:COUNT:FAILures? REGION<number>

The MTEST:COUNT:FAILures? query returns the number of failures that occurred within a particular mask region.

The value 9.999E37 is returned if mask testing is not enabled or if you specify a region number that is unused.

<number> An integer, 1 through 8, designating the region for which you want to determine the failure count.

**Returned Format**       [:MTEST:COUNT:FAILures] REGION<number><number\_of\_failures>  
<NL>

<number\_of\_failures> The number of failures that have occurred for the designated region.

---

**Example**               This example determines the current failure count for region 3 and prints it on the computer screen.

```
10 DIM Mask_failures$(50)
20 OUTPUT 707;"MTEST:COUNT:FAILURES? REGION3"
30 ENTER 707;Mask_failures$
40 PRINT Mask_failures$
50 END
```

---

## COUNT:FWAVEforms?

**Query** :MTEST:COUNT:FWAVEforms?

The :MTEST:COUNT:FWAVEforms? query returns the total number of failed waveforms in the current mask test run. This count is for all regions and all waveforms, so if you wish to determine failures by region number, use the COUNT:FAILures? query.

This count may not always be available. It is available only when the following conditions are true:

- Mask testing was turned on before the histogram or color grade persistence, and
- No mask changes have occurred, including scaling changes, editing, or new masks.

The value 9.999E37 is returned if mask testing is not enabled, or if you have modified the mask.

**Returned Format** [:MTEST:COUNT:FWAVEforms] <number\_of\_failed\_waveforms><NL>  
<number\_of\_failed\_waveforms> The total number of failed waveforms for the current test run.

---

**Example** This example determines the number of failed waveforms and prints the result on the computer screen.

```
10 OUTPUT 707;"SYSTEM:HEADER OFF"  
20 OUTPUT 707;":MTEST:COUNT:FWAVEFORMS?  
30 ENTER 707;Mask_fwaveforms$\br/>40 PRINT Mask_fwaveforms$\br/>50 END
```

---

---

## COUNT:WAVEforms?

**Query** :MTEST:COUNT:WAVEforms?

The :MTEST:COUNT:WAVEforms? query returns the total number of waveforms acquired in the current mask test run. The value 9.999E37 is returned if mask testing is not enabled.

**Returned Format** [:MTEST:COUNT:WAVEforms] <number\_of\_waveforms><NL>  
<number\_of\_waveforms> The total number of waveforms for the current test run.

---

**Example** This example determines the number of waveforms acquired in the current test run and prints the result on the computer screen.

```
10 OUTPUT 707;"SYSTEM:HEADER OFF"  
20 OUTPUT 707;" :MTEST:COUNT:WAVEFORMS?"  
30 ENTER 707;Mask_waveforms  
40 PRINT Mask_waveforms  
50 END
```

---

---

## DELeTe

**Command**           :MTESt:DELeTe

The :MTESt:DELeTe command clears the currently loaded mask.

---

**Example**           This example clears the currently loaded mask.

```
10 OUTPUT 707;"MTES:DELETE"  
20 END
```

---

## Mask Test Commands

### ENABLE

---

## ENABLE

**Command**                   :MTEST:ENABLE {{ON|1} | {OFF|0}}

The :MTEST:ENABLE command enables or disables the mask test features.

ON   Enables the mask test features.

OFF  Disables the mask test features.

---

**Example**                   This example enables the mask test features.

```
10 OUTPUT 707; ":MTEST:ENABLE ON"
20 END
```

---

**Query**                    :MTEST:ENABLE?

The :MTEST:ENABLE? query returns the current state of mask test features.

**Returned Format**       [MTEST:ENABLE] {1|0}<NL>

---

**Example**                   This example places the current value of the mask test state in the numeric variable Value, then prints the contents to the computer's screen.

```
10 OUTPUT 707; "SYSTEM:HEADER OFF"
20 OUTPUT 707; ":MTEST:ENABLE?"
30 ENTER 707;Value
40 PRINT Value
50 END
```

---



---

## FOLDing

<b>This command is only available when the E2688A Clock Recovery Software is installed.</b>
---

**Command**                   :MTEST:FOLDing {{ON|1} | {OFF|0}}

The :MTEST:FOLDing command enables (ON) or disables (OFF) the display of the real time eye. When enabled, an eye diagram of the data.

---

**Example**                   This example enables the display of the real time eye.

```
10 OUTPUT 707;"MTEST:FOLDING ON"  
20 END
```

---

**Query**                    :MTEST:FOLDing?

The :MTEST:FOLDing? query returns the current state of clock recovery folding.

**Returned Format**       [:MTEST:FOLDing] {1|0} <NL>

---

**Example**                   10 OUTPUT 707;" :MTEST:FOLDING?"  
20 ENTER 707;Value  
30 PRINT Value  
40 END

---

---

## FOLDing:BITS

**This command is only available when the E2688A Clock Recovery Software is installed.**

**Command** :MTEST:FOLDing:BITS {BOTH | DEEMphasis | TRANSition}

The :MTEST:FOLDing:BITS command determines the type of data bits used to create the eye pattern. The transition bits are greater in amplitude than the deemphasis bits. The PCI Express standard requires that compliance mask testing be done for both bit types.

---

**Example** This example sets bit type to transition bits.

```
10 OUTPUT 707;"MTEST:FOLDING:BITS TRANSITION"  
20 END
```

---

**Query** :MTEST:FOLDing:BITS?

The :MTEST:FOLDing:BITS? query returns the current setting of the real time eye bits.

**Returned Format** [:MTEST:FOLDing:BITS] {BOTH | DEEMphasis | TRANSition} <NL>

---

**Example**

```
10 OUTPUT 707;" :MTEST:FOLDING:BITS?"  
20 ENTER 707;Value  
30 PRINT Value  
40 END
```

---

---

## HAMPlitude

**Command** :MTEST:HAMPlitude <upper\_limit>

The :MTEST:HAMPlitude command sets the maximum pulse amplitude value that passes the pulse standard. For some of the pulse communications standards, a pulse has a range of amplitude values and still passes the standard. This command sets the upper limit used during mask testing.

<upper\_limit> A real number that represents the maximum amplitude in volts of a pulse as allowed by the pulse standard.

---

**Example**

This example sets the maximum pulse amplitude to 3.6 volts.

```
10 OUTPUT 707;"MTEST:HAMPLITUDE 3.6"
20 END
```

---

**Query**

:MTEST:HAMPlitude?

The :MTEST:HAMPlitude? query returns the current value of the maximum pulse amplitude.

**Returned Format**

[MTEST:HAMPlitude] <upper\_limit><NL>

<upper\_limit> A real number that represents the maximum amplitude in volts of a pulse as allowed by the pulse standard.

---

**Example**

This example returns the current upper pulse limit and prints it to the computer's screen.

```
10 OUTPUT 707;"SYSTEM:HEADER OFF" !Response headers off
20 OUTPUT 707;"MTEST:HAMPLITUDE?"
30 ENTER 707;ULimit
40 PRINT ULimit
50 END
```

---

## IMPedance

**Command**           :MTESt:IMPedance {NONE | IMP75 | IMP100 | IMP110 | IMP120}

The :MTESt:IMPedance command sets the desired probe impedance of the channel being used for mask testing. This impedance value is used when starting a mask test to determine whether or not the correct Infiniium probe is connected and in the case of the E2621A if the switch is set to the correct impedance value.

Infiniium has an AutoProbe interface that detects probes that have Probe ID resistors. If one of these probes is connected to the channel being mask tested and is not the correct probe for the selected impedance, a warning dialog box appears when the mask test is started from the human interface.

This command is meant to be used in the setup section of a mask file.

- NONE Disables the probe impedance check.
- IMP75 Enables the probe impedance check for the E2622A probe.
- IMP100 Enables the probe impedance check for the E2621A probe with the switch set to the 100 ohm position.
- IMP110 Enables the probe impedance check for the E2621A probe with the switch set to the 110 ohm position.
- IMP120 Enables the probe impedance check for the E2621A probe with the switch set to the 120 ohm position.

---

**Example**           This example sets the probe impedance of the channel being used for mask testing to 100 ohms.

```
10 OUTPUT 707;"MTEST:IMPEDANCE IMP100"  
20 END
```

---

**Query**                   :MTESt:IMPedance?

The :MTESt:IMPedance? query returns the current value of the mask test impedance.

**Returned Format**       [:MTESt:IMPedance] {NONE | IMP75 | IMP100 | IMP110  
| IMP120}<NL>

---

**Example**                This example returns the current value of the mask test impedance and prints the result to the computer screen.

```
10 OUTPUT 707;":SYSTEM:HEADER OFF" !Response headers off
20 OUTPUT 707;":MTESt:IMPEDANCE?"
30 ENTER 707;Impedance
40 PRINT Impedance
50 END
```

---

---

## INVert

**Command** `:MTESt:INVert {{ON|1} | {OFF|0}}`

The :MTESt:INVert command inverts the mask for testing negative-going pulses. The trigger level and mask offset are also adjusted. Not all masks support negative-going pulse testing, and for these masks, the command is ignored.

---

**Example** This example inverts the mask for testing negative-going pulses.

```
10 OUTPUT 707; "MTESt:INVERT ON"  
20 END
```

---

**Query** `:MTESt:INVert?`

The :MTESt:INVert? query returns the current inversion setting.

**Returned Format** `[ :MTESt:INVert ] {1|0}<NL>`

---

## LAMPLitude

**Command** :MTEST:LAMPLitude <lower\_limit>

The :MTEST:LAMPLitude command sets the minimum pulse amplitude value that passes the pulse standard. For some of the pulse communications standards, a pulse has a range of amplitude values and still passes the standard. This command sets the lower limit used during mask testing.

<lower\_limit> A real number that represents the minimum amplitude in volts of a pulse as allowed by the pulse standard.

---

**Example** This example sets the minimum pulse amplitude to 2.4 volts.

```
10 OUTPUT 707; "MTEST:LAMPLITUDE 2.4"  
20 END
```

---

**Query** :MTEST:LAMPLitude?

The :MTEST:LAMPLitude? query returns the current value of the minimum pulse amplitude.

**Returned Format** [:MTEST:LAMPLitude] <lower\_limit><NL>

<lower\_limit> A real number that represents the minimum amplitude in volts of a pulse as allowed by the pulse standard.

---

**Example** This example returns the current lower pulse limit and prints it to the computer's screen.

```
10 OUTPUT 707; "SYSTEM:HEADER OFF !Response headers off  
20 OUTPUT 707; "MTEST:LAMPLITUDE?"  
30 ENTER 707; ULimit  
40 PRINT ULimit  
50 END
```

---

## LOAD

**Command**           : MTEST:LOAD "<filename>"

The :MTEST:LOAD command loads the specified mask file. The default path for mask files is C:\SCOPE\MASKS. To use a different path, specify the complete path and file name.

<filename> An MS-DOS compatible name of the file, a maximum of 254 characters long (including the path name, if used).

---

**Example**

This example loads the mask file named "140md\_itu\_1.msk".

```
10  OUTPUT 707; "MTEST:LOAD" "c:\scope\masks\140md_itu_1.msk" ""
20  END
```

---



---

## NREGions?

**Query**                   :MTESt:NREGions?

The :MTESt:NREGions? query returns the number of regions that define the mask.

**Returned Format**       [:MTESt:NREGions] <regions><NL>  
                          <regions> An integer from 0 to 8.

---

**Example**                This example returns the number of mask regions.

```
10  OUTPUT 707; ":SYSTEM:HEADER OFF"  
20  OUTPUT 707; ":MTESt:NREGIONS?"  
30  ENTER 707;Regions  
40  PRINT Regions  
50  END
```

---

---

## PROBe:IMPedance?

**Query**                   :MTESt:PROBe:IMPedance?

The :MTESt:PROBe:IMPedance? query returns the impedance setting for the E2621A and E2622A probes for the current mask test channel.

**Returned Format**       [:MTESt:PROBe:IMPedance] <impedance><NL>

<impedance> An unquoted string: 75, 100, 110, 120, or NONE

---

**Example**                   This example returns the impedance setting for the probe.

```
10 DIM Impedance$[20]
20 OUTPUT 707;":SYSTEM:HEADER OFF"
30 OUTPUT 707;":MTESt:PROBe:IMPEDANCE?"
40 ENTER 707;Impedance$
50 PRINT Impedance$
60 END
```

---

---

## RUMode

**Command**           :MTESt:RUMode {FORever | TIME, <time> | WAVeforms, <number\_of\_waveforms>}

The :MTESt:RUMode command determines the termination conditions for the mask test. The choices are FORever, TIME, or WAVeforms.

If WAVeforms is selected, a second parameter is required indicating the number of failures that can occur or the number of samples or waveforms that are to be acquired.

**FORever**   FORever runs the Mask Test until the test is turned off. This is used when you want a measurement to run continually and not to stop after a fixed number of failures. For example, you may want the Mask Test to run overnight and not be limited by a number of failures.

**TIME**       TIME sets the amount of time in minutes that a mask test will run before it terminates.

**<time>**     A real number: 0.1 to 1440.0

**WAVeforms**   WAVeforms sets the maximum number of waveforms that are required before the mask test terminates.

**<number\_of\_waveforms>**   An integer: 1 to 1,000,000,000.

---

### Example

This example sets the mask test subsystem run until mode to continue testing until 500,000 waveforms have been gathered.

```
10 OUTPUT 707;"MTEST:RUMODE WAVEFORMS,500E3"
20 END
```

---

## Mask Test Commands

### RUMode

**Query** :MTEST:RUMode?

The query returns the currently selected termination condition and value.

**Returned Format** [:MTEST:RUMode] {FOREver | TIME,<time> | WAVEforms,  
<number\_of\_waveforms>}<NL>

---

**Example** This example gets the current setting of the mask test run until mode from the oscilloscope and prints it on the computer screen.

```
10 DIM MTEST_Runmode$[50]
20 OUTPUT 707; "MTEST:RUMODE?"
30 ENTER 707; ":MTEST_Runmode$"
40 PRINT MTEST_Runmode$
50 END
```

---

---

## RUMode:SOFailure

**Command** `:MTEST:RUMode:SOFailure {{ON|1} | {OFF|0}}`

The `:MTEST:RUMode:SOFailure` command enables or disables the Stop On Failure run until criteria. When a mask test is run and a mask violation is detected, the mask test is stopped and the acquisition system is stopped.

---

**Example** This example enables the Stop On Failure run until criteria.

```
10 OUTPUT 707; ":MTEST:RUMODE:SOFAILURE ON"  
20 END
```

---

**Query** `:MTEST:SOFailure?`

The `:MTEST:SOFailure?` query returns the current state of the Stop on Failure control.

**Returned Format** `[:MTEST:SOFailure] {1|0}<NL>`

---

## SCALE:BIND

**Command** :MTEST:SCALE:BIND {{ON|1} | {OFF|0}}

The :MTEST:SCALE:BIND command enables or disables Bind 1 & 0 Levels (Bind -1 & 0 Levels for inverted masks) control. If the Bind 1 & 0 Levels control is enabled, the 1 Level and the 0 Level controls track each other. Adjusting either the 1 Level or the 0 Level control shifts the position of the mask up or down without changing its size. If the Bind 1 & 0 Levels control is disabled, adjusting either the 1 Level or the 0 Level control changes the vertical height of the mask. If the Bind -1 & 0 Levels control is enabled, the -1 Level and the 0 Level controls track each other. Adjusting either the -1 Level or the 0 Level control shifts the position of the mask up or down without changing its size. If the Bind -1 & 0 Levels control is disabled, adjusting either the -1 Level or the 0 Level control changes the vertical height of the mask.

---

**Example** This example enables the Bind 1 & 0 Levels control.

```
10 OUTPUT 707;"MTEST:SCALE:BIND ON"  
20 END
```

---

**Query** :MTEST:SCALE:BIND?

The :MTEST:SCALE:BIND? query returns the value of the Bind 1&0 control (Bind -1&0 for inverted masks).

**Returned Format** [:MTEST:SCALE:BIND?] {1|0}<NL>

---

## SCALE:X1

**Command** :MTEST:SCALE:X1 <x1\_value>

The :MTEST:SCALE:X1 command defines where X=0 in the base coordinate system used for mask testing. The other X-coordinate is defined by the SCALE:XDELta command. Once the X1 and XDELta coordinates are set, all X values of vertices in the mask regions are defined with respect to this value, according to the equation:

$$X = (X \times \Delta X) + X1$$

Thus, if you set X1 to 100 ms, and XDELta to 100 ms, an X value of 0.100 is a vertex at 110 ms.

The oscilloscope uses this equation to normalize vertices. This simplifies reprogramming to handle different data rates. For example, if you halve the period of the waveform of interest, you need only to adjust the XDELta value to set up the mask for the new waveform.

<x1\_value> A time value specifying the location of the X1 coordinate, which will then be treated as X=0 for mask regions coordinates.

---

**Example** This example sets the X1 coordinate at 150 ms.

```
10 OUTPUT 707;" :MTEST:SCALE:X1 150E-3"  
20 END
```

---

**Query** :MTEST:SCALE:X1?

The :MTEST:SCALE:X1? query returns the current X1 coordinate setting.

**Returned Format** [:MTEST:SCALE:X1] <x1\_value><NL>

---

**Example** This example gets the current setting of the X1 coordinate from the oscilloscope and prints it on the computer screen.

```
10 DIM Scale_x1$[50]  
20 OUTPUT 707;" :MTEST:SCALE:X1?"  
30 ENTER 707;Scale_x1$  
40 PRINT Scale_x1$  
50 END
```

---

---

## SCALE:XDELta

**Command** :MTEST:SCALE:XDELta <xdelta\_value>

The :MTEST:SCALE:XDELta command defines the position of the X2 marker with respect to the X1 marker. In the mask test coordinate system, the X1 marker defines where  $X=0$ ; thus, the X2 marker defines where  $X=1$ .

Because all X vertices of the regions defined for mask testing are normalized with respect to X1 and  $\Delta X$ , redefining  $\Delta X$  also moves those vertices to stay in the same locations with respect to X1 and  $\Delta X$ . Thus, in many applications, it is best if you define XDELta as a pulse width or bit period. Then a change in data rate without corresponding changes in the waveform can easily be handled by changing  $\Delta X$ .

The X-coordinate of polygon vertices is normalized using this equation:

$$X = (X \times \Delta X) + X1$$

<xdelta\_value> A time value specifying the distance of the X2 marker with respect to the X1 marker.

---

### Example

Assume that the period of the waveform you wish to test is 1 ms. Then the following example will set  $\Delta X$  to 1 ms, ensuring that the waveform's period is between the X1 and X2 markers.

```
10 OUTPUT 707;" :MTEST:SCALE:XDELTA 1E-6:
20 END
```



**Query** :MTEST:SCALE:XDELta?

The :MTEST:SCALE:XDELta? query returns the current value of  $\Delta X$ .

**Returned Format** [:MTEST:SCALE:XDELta] <xdelta\_value><NL>

---

**Example**

This example gets the value of  $\Delta X$  from the oscilloscope and prints it on the computer screen.

```
10 DIM Scale_xdelta$(50)
20 OUTPUT 707;":MTEST:SCALE:XDELTA?"
30 ENTER 707;Scale_xdelta$
40 PRINT Scale_xdelta$
50 END
```

---

---

## SCALE:Y1

**Command** :MTEST:SCALE:Y1 <y\_value>

The :MTEST:SCALE:Y1 command defines where Y=0 in the coordinate system for mask testing. All Y values of vertices in the coordinate system are defined with respect to the boundaries set by SCALE:Y1 and SCALE:Y2 according to the equation:

$$Y = (Y \times (Y2 - Y1)) + Y1$$

Thus, if you set Y1 to 100 mV, and Y2 to 1 V, a Y value of 0.100 in a vertex is at 190 mV.

<y1\_value> A voltage value specifying the point at which Y=0.

---

**Example** This example sets the Y1 marker to -150 mV.

```
10 OUTPUT 707; ":MTEST:SCALE:Y1 -150E-3"  
20 END
```

---

**Query** :MTEST:SCALE:Y1?

The SCALE:Y1? query returns the current setting of the Y1 marker.

**Returned Format** [:MTEST:SCALE:Y1] <y1\_value><NL>

---

**Example** This example gets the setting of the Y1 marker from the oscilloscope and prints it on the computer screen.

```
10 DIM Scale_y1$[50]  
20 OUTPUT 707; ":MTEST:SCALE:Y1?"  
30 ENTER 707;Scale_y1$  
40 PRINT Scale_y1$  
50 END
```

---

---

## SCALE:Y2

**Command** :MTEST:SCALE:Y2 <y2\_value>

The :MTEST:SCALE:Y2 command defines the Y2 marker in the coordinate system for mask testing. All Y values of vertices in the coordinate system are defined with respect to the boundaries defined by SCALE:Y1 and SCALE:Y2 according to the following equation:

$$Y = (Y \times (Y2 - Y1)) + Y1$$

Thus, if you set Y1 to 100 mV, and Y2 to 1 V, a Y value of 0.100 in a vertex is at 190 mV.

<y2\_value> A voltage value specifying the location of the Y2 marker.

---

**Example** This example sets the Y2 marker to 2.5 V.

```
10 OUTPUT 707;":MTEST:SCALE:Y2 2.5"
20 END
```

---

**Query** :MTEST:SCALE:Y2?

The SCALE:Y2? query returns the current setting of the Y2 marker.

**Returned Format** [:MTEST:SCALE:Y2] <y2\_value><NL>

---

**Example** This example gets the setting of the Y2 marker from the oscilloscope and prints it on the computer screen.

```
10 DIM Scale_y2$[50]
20 OUTPUT 707;":MTEST:SCALE:Y2?"
30 ENTER 707;Scale_y2$
40 PRINT Scale_y2$
50 END
```

---

---

## SOURce

**Command**           :MTESt:SOURce {CHANnel<N> | FUNction<M>}

The :MTESt:SOURce command selects the channel which is configured by the commands contained in a mask file when it is loaded.

- <N> An integer, 1 - 2, for two channel Infiniium oscilloscopes.  
An integer, 1 - 4, for all other Infiniium oscilloscope models.
- <M> An integer, 1 - 4.

---

**Example**           This example selects channel 1 as the mask test source.

```
10 OUTPUT 707; "MTESt:SOURce CHANNEL1"  
20 END
```

---

**Query**             :MTESt:SOURce?

The :MTESt:SOURce? query returns the channel which is configured by the commands contained in the current mask file.

**Returned Format**   [:MTESt:SOURce] {CHANnel<N> | FUNction<M>}<NL>

---

**Example**           This example gets the mask test source setting and prints the result on the computer display.

```
10 DIM Amask_source$[30]  
20 OUTPUT 707; "MTESt:SOURce?"  
30 ENTER 707;Amask_source$  
40 PRINT Amask_source$  
50 END
```

---

---

## START | STOP

**Command**            :MTEST : START | STOP

The :MTEST:START|STOP command starts or stops the mask test. The :MTEST:START command also starts the oscilloscope acquisition system. The :MTEST:STOP command does not stop the acquisition system.

---

**Example**            This example starts the mask test and acquisition system.

```
10  OUTPUT 707; "MTEST:START"  
20  END
```

---

---

## STIME

**Command**           : MTEST:STIME <timeout>

The :MTEST:STIME command sets the timeout value for the Autoalign feature. If the oscilloscope is unable to align the mask to your waveform within the specified timeout value, it will stop trying to align and will report an alignment failure.

<timeout> An integer from 1 to 120 seconds representing the time between triggers (not the time that it takes to finish the alignment.)

---

**Example**           This example sets the timeout value for the Autoalign feature to 10 seconds.

```
10 OUTPUT 707;"MTEST:STIME 10"  
20 END
```

---

**Query**             : MTEST:STIME?

The query returns timeout value for the Autoalign feature.

**Returned Format**   [:MTEST:STIME] <timeout><NL>

---

**Example**           This example gets the timeout setting and prints the result on the computer display.

```
10 OUTPUT 707;"MTEST:STIME?"  
30 ENTER 707;Value  
40 PRINT Value  
50 END
```

---

---

## TITLE?

**Query**                   :MTES:t:TITLE?

The :MTES:t:TITLE? query returns the mask title which is a string of up to 23 characters. The title is displayed in the mask test dialog box and mask test tab when a mask file is loaded.

**Returned Format**       [:MTES:t:TITLE] <mask\_title><NL>

<mask\_title> A string of up to 23 ASCII characters which is the mask title.

---

### Example

This example places the mask title in the string variable and prints the contents to the computer's screen.

```
10 DIM Title$(24)
20 OUTPUT 707;":MTES:t:TITLE?"
30 ENTER 707;Title$
40 PRINT Title$
50 END
```

---

## TRIGger:SOURce

**Command**            :MTEST:TRIGger:SOURce {CHANnel<N> | EXTernal}

The :MTEST:TRIGger:SOURce command sets the channel or function to use as the trigger. The EXTernal parameter is only available on the two channel oscilloscopes. Mask testing must be enabled before using this command.

<N> An integer, 1 - 2, for two channel Infiniium oscilloscope.  
An integer, 1 - 4, for all other Infiniium oscilloscope models.

---

**Example**            This example sets the mask trigger source to channel 1.

```
10 OUTPUT 707;"MTEST:TRIGGER:SOURCE CHANNEL1"  
20 END
```

**Query**             :MTEST:TRIGger:SOURce?

The query returns the currently selected mask test trigger source.

**Returned Format**    [:MTEST:TRIGger] {CHANnel<N> | EXTernal}<NL>

---

**Example**            This example gets the trigger source setting and prints the result on the computer display.

```
10 DIM Amask_source$[30]  
20 OUTPUT 707;"MTEST:TRIGGER:SOURCE?"  
30 ENTER 707;Amask_source$  
40 PRINT Amask_source$  
50 END
```

---





---

# Measure Commands

The commands in the MEASure subsystem are used to make parametric measurements on displayed waveforms.

These MEASure commands and queries are implemented in the Infiniium Oscilloscopes.

- AREA
- BWIDth
- CDRRate
- CGRade:CROSSing
- CGRade:DCDistortion
- CGRade:EHEight
- CGRade:EWIDth
- CGRade:JITTer
- CGRade:QFACTOR
- CLear | SCRatch
- DEFine
- DELTatime
- DUTYcycle
- FALLtime
- FFT:DFRequency (delta frequency)
- FFT:DMAGnitude (delta magnitude)
- FFT:FREQuency
- FFT:MAGNitude
- FFT:PEAK1
- FFT:PEAK2
- FFT:THReshold
- FREQuency
- HISTogram:HITS
- HISTogram:M1S
- HISTogram:M2S
- HISTogram:M3S

- HISTogram:MAX
- HISTogram:MEAN
- HISTogram:MEDian
- HISTogram:MIN
- HISTogram:PEAK
- HISTogram:PP
- HISTogram:STDDev
- NWIDth
- OVERshoot
- PERiod
- PHASe
- PREShoot
- PWIDth
- QUALifier<M>
- RESults?
- RISetime
- SCRatch | CLear
- SENDvalid
- SETuptime
- SLEWrate
- SOURce
- STATistics
- TEDGe
- TMAX
- TMIN
- TVOLt
- VAMPLitude
- VAVerage
- VBASe
- VLOWer
- VMAX
- VMIDdle
- VMIN
- VPP
- VRMS
- VTIMe
- VTOP

- VUPPer

### **E2688A High Speed Serial Software commands**

The following MEASure commands are available when the E2688A High Speed Serial Software is installed.

- CLOCK
- CLOCK:METHod
- CLOCK:VERTical:OFFset
- CLOCK:VERTical:RANGe
- TIEData
- TIEFilter:START
- TIEFilter:STATe
- TIEFilter:STOP
- TIEFilter:TYPE
- Also see the MTESt:FOLDing command in the mask test subsystem.

### **E2681A EZJIT Jitter Analysis Software commands**

The following MEASure commands are available when the E2681A EZJIT Jitter Analysis Software is installed.

- CTCDutycycle
- CTCJitter
- CTCNwidth
- CTCPwidth
- DATarate
- HOLDtime
- JITTER:HISTogram
- JITTER:MEASurement
- JITTER:SPECtrum
- JITTER:STATistics
- JITTER:TREND
- NCJitter
- SETuptime
- TIEClock2
- TIEData
- UNITinterval
- DUTYcycle, FREQuency, PERiod, and PHASe have an additional <direction> parameter.

## **FFT Commands**

The :MEASure:FFT commands control the FFT measurements that are accessible through the Measure subsystem.

### **Measurement Setup**

To make a measurement, the portion of the waveform required for that measurement must be displayed on the oscilloscope.

- For a period or frequency measurement, at least one and a half complete cycles must be displayed.
- For a pulse width measurement, the entire pulse must be displayed.
- For a rise time measurement, the leading (positive-going) edge of the waveform must be displayed.
- For a fall time measurement, the trailing (negative-going) edge of the waveform must be displayed.

In jitter mode with jitter statistics enabled, measurements are made on all data regardless of what is on screen.

### **User-Defined Thresholds**

If you choose to set user-defined thresholds, they must be set before actually sending the measurement command or query.

### **Measurement Error**

If a measurement cannot be made because of a lack of data, because the source waveform is not displayed, the requested measurement is not possible (for example, a period measurement on an FFT waveform), or for some other reason, the following results are returned:

- 9.99999E+37 is returned as the measurement result.
- If SENDvalid is ON, the error code is also returned as well as the questionable value.

### **Making Measurements**

If more than one period, edge, or pulse is displayed, time measurements are made on the first, left-most portion of the displayed waveform.

When any of the defined measurements are requested, the oscilloscope first determines the top (100%) and base (0%) voltages of the waveform. From this information, the oscilloscope determines the other important voltage values (10%, 90%, and 50% voltage values) for making measurements.

The 10% and 90% voltage values are used in the rise time and fall time measurements when standard thresholds are selected. The 50% voltage value is used for measuring frequency, period, pulse width, and duty cycle with standard thresholds selected.

You can also make measurements using user-defined thresholds instead of the standard thresholds.

When the command form of a measurement is used, the oscilloscope is placed in the continuous measurement mode. The measurement result will be displayed on the front panel. There may be a maximum of 5 measurements running continuously. Use the `SCRatch` command to turn off the measurements.

When the query form of the measurement is used, the measurement is made one time, and the measurement result is returned.

- If the current acquisition is complete, the current acquisition is measured and the result is returned.
- If the current acquisition is incomplete and the oscilloscope is running, acquisitions will continue to occur until the acquisition is complete. The acquisition will then be measured and the result returned.
- If the current acquisition is incomplete and the oscilloscope is stopped, the measurement result will be  $9.99999e+37$  and the incomplete result state will be returned if `SENDvalid` is ON.

All measurements are made using the entire display, except for `VAVerage` and `VRMS` which allow measurements on a single cycle. Therefore, if you want to make measurements on a particular cycle, display only that cycle on the screen.

Measurements are made on the displayed waveforms specified by the `SOURce` command. The `SOURce` command lets you specify two sources. Most measurements are only made on a single source. Some measurements, such as the `DELTatime` measurement, require two sources.

If the waveform is clipped, the measurement result may be questionable. In this case, the value returned is the most accurate value that can be made using the current scaling. You might be able to obtain a more accurate measurement by adjusting the vertical scale to prevent the waveform from being clipped.

---

## AREA

**Command**                   :MEASure:AREA {CYCLe | DISPLAY}{[, <source>]}

The :MEASure:AREA command turns on the area measurement. The area measurement measures between the waveform, or a selected cycle of the waveform, and the waveform ground. When measuring Area, it is sometimes useful to use the Subtract Math Operator to remove any dc offset from a waveform you want to measure. Also see Math/FFT Functions for more details.

<source> {CHANnel<N> | FUNCTION<N> | WMEMory<N>}

<N> is an integer, 1 - 4.

---

**Example**                   This example turns on the area measurement which measures between the waveform and ground. Only that portion of the waveform which is in the waveform viewing area is measured.

```
10 OUTPUT 707;"MEASURE:AREA DISPLAY"
20 END
```

---

**Query**                    :MEASure:AREA?

The :MEASure:AREA? query returns the area measurement.

**Returned Format**       [:MEASure:AREA] <value>[, <result\_state>]<NL>

---

**Example**                   This example places the current selection for the area to be measured in the string variable, Selection\$, then prints the contents of the variable to the computer's screen.

```
10 DIM Selection$[50]
20 OUTPUT 707;"MEASure:AREA?"
30 ENTER 707;Selection$
40 PRINT Selection$
50 END
```

---

## BWIDth

**Command**                   :MEASure:BWIDth <source>,<idle\_time>

The :MEASure:BWIDth command measures the width of bursts in your waveform. The idle time is the minimum time between bursts.

<source> {CHANnel<N> | FUNCtion<N> | WMEMory<N>}

<N> is an integer, 1 - 4.

<idle\_time> Amount of idle time between bursts.

---

**Example**                   This example measures the width of bursts for the waveform on channel one and sets the idle time to 1 microsecond.

```
10 OUTPUT 707;"MEASURE:BWIDTh CHANNEL1,1E-6"  
20 END
```

---

**Query**                    :MEASure:BWIDth? <source>,<idle\_time>

The :MEASure:BWIDth? query returns the width of the burst being measured.

**Returned Format**       [:MEASure:BWIDth ]<burst\_width><NL>

---

**Example**                   This example returns the width of the burst being measured, in the string variable, Burstwidth\$, then prints the contents of the variable to the computer's screen.

```
10 DIM Burstwidth$[50]  
20 OUTPUT 707;"MEASURE:BWIDTh? CHANNEL1,1E-6"  
30 ENTER 707;Burstwidth$  
40 PRINT Burstwidth$  
50 END
```

---



---

## CDRRate

**Command** :MEASure:CDRRate <source>

The :MEASure:CDRRate command determines the data rate (clock recovery rate) from the clock recovery method being used. It yields one data point per acquisition so trending cannot be performed on this measurement.

<source> {CHANnel<N> | FUNction<N> | WMEMory<N>}

<N> CHANnel<N> is an integer, 1- 4.

FUNction<N> and WMEMory<N> are:

An integer, 1- 4, representing the selected function or waveform memory.

---

### Example

This example measures the clock recovery rate rate of channel 1.

```
10 OUTPUT 707;"MEASURE:CDRRate CHANNEL1"  
20 END
```

---

---

## CGRade:CROSSing

**Command** :MEASure:CGRade:CROSSing

The :MEASure:CGRade:CROSSing command enables the crossing level percent measurement on the current eye pattern. Before using this command or query, you must use the :DISPlay:CGRade command to enable the color grade persistence feature. Also, there must be a full eye diagram on screen before a valid measurement can be made.

---

**Example** This example measures the crossing level.

```
10 OUTPUT 707; "MEASURE:CGRAD:CROSSING"  
20 END
```

---

**Query** :MEASure:CGRade:CROSSing?

The :MEASure:CGRade:CROSSing? query returns the crossing level percent measurement of the current eye diagram on the color grade display. Before using this command or query, you must use the :DISPlay:CGRade command to enable the color grade persistence feature.

**Returned Format** [:MEASure:CGRade:CROSSing]<value>[, <result\_state>] <NL>

<value> The crossing level.

<result\_state> If SENDVALID is ON, the result state is returned with the measurement result. Refer to the MEASure:RESults command, for a list of the result states.

---

**Example** This example places the current crossing level in the numeric variable, Value, then prints the contents of the variable to the computer's screen.

```
10 OUTPUT 707; ":SYSTEM:HEADER OFF" !Response headers off  
20 OUTPUT 707; ":MEASURE:CGRAD:CROSSING?"  
30 ENTER 707;Value  
40 PRINT Value  
50 END
```

---

---

## CGRade:DCDistortion

**Command** :MEASure:CGRade:DCDistortion <format>

The :MEASure:CGRade:DCDistortion command enables the duty cycle distortion measurement on the current eye pattern. The parameter specifies the format for reporting the measurement. Before using this command or query, you must use the :DISPlay:CGRade command to enable the color grade persistence feature. Also, there must be a full eye diagram on screen before a valid measurement can be made.

<format> {TIME | PERCent}

---

**Example** This example measures the duty cycle distortion.

```
10 OUTPUT 707;"MEASURE:CGRAD:DCDISTORTION TIME"
20 END
```

**Query** :MEASure:CGRade:DCDistortion? <format>

The :MEASure:CGRade:DCDistortion query returns the duty cycle distortion measurement of the color grade display. Before using this command or query, you must use the :DISPlay:CGRade command to enable the color grade persistence feature.

**Returned Format** [:MEASure:CGRade:DCDistortion]<value>[, <result\_state>]<NL>

<value> The duty cycle distortion.

<result\_state> If SENDVALID is ON, the result state is returned with the measurement result. Refer to the MEASure:RESults command, for a list of the result states.

---

**Example** This example places the current duty cycle distortion in the numeric variable, Value, then prints the contents of the variable to the computer's screen.

```
10 OUTPUT 707;" :SYSTEM:HEADER OFF"
20 OUTPUT 707;" :MEASURE:CGRAD:DCDISTORTION? PERCENT"
30 ENTER 707;Value
40 PRINT Value
50 END
```

---

---

## CGRade:EHEight

**Command**           :MEASure:CGRade:EHEight <format>

The :MEASure:CGRade:EHEight command enables the eye height measurement on the current eye pattern. The parameter specifies the format for reporting the measurement. Before using this command or query, you must use the :DISPlay:CGRade command to enable the color grade persistence feature. Also, there must be a full eye diagram on screen before a valid measurement can be made.

<format> {TIME | PERCent}

---

**Example**           This example measures the eye height.

```
10 OUTPUT 707;"MEASURE:CGRAD:EHEIGHT TIME"  
20 END
```

---

**Query**             :MEASure:CGRade:EHEight?

The :MEASure:CGRade:EHEight? query returns the eye height measurement of the color grade display. Before using this command or query, you must use the :DISPlay:CGRade command to enable the color grade persistence feature.

**Returned Format**   [:MEASure:CGRade:EHEight]<value>[, <result\_state>]<NL>

<value>   The eye height.

<result\_state> If SENDVALID is ON, the result state is returned with the measurement result. Refer to the MEASure:RESults command, for a list of the result states.

---

**Example**           This example places the current eye height in the numeric variable, Value, then prints the contents of the variable to the computer's screen.

```
10 OUTPUT 707;" :SYSTEM:HEADER OFF"           !Response headers off  
20 OUTPUT 707;" :MEASURE:CGRAD:EHEIGHT?"  
30 ENTER 707;Value  
40 PRINT Value  
50 END
```

---

## CGRade:EWIDth

**Command** :MEASure:CGRade:EWIDth

The :MEASure:CGRade:EWIDth command enables the eye width measurement on the current eye pattern. Before using this command or query, you must use the :DISPlay:CGRade command to enable the color grade persistence feature. Also, there must be a full eye diagram on screen before a valid measurement can be made.

---

**Example** This example measures the eye width.

```
10 OUTPUT 707;"MEASURE:CGRade:EWIDth"
20 END
```

---

**Query** :MEASure:CGRade:EWIDth?

The :MEASure:CGRade:EWIDth? query returns the eye width measurement of the color grade display. Before using this command or query, you must use the :DISPlay:CGRade command to enable the color grade persistence feature.

**Returned Format** [:MEASure:CGRade:EWIDth] <value> [, <result\_state>] <NL>

<value> The eye width.

<result\_state> If SENDVALID is ON, the result state is returned with the measurement result. Refer to the MEASure:RESults command, for a list of the result states.

---

**Example** This example places the current eye width in the numeric variable, Value, then prints the contents of the variable to the computer's screen.

```
10 OUTPUT 707;" :SYSTEM:HEADER OFF"           !Response headers off
20 OUTPUT 707;" :MEASURE:CGRade:EWIDth?"
30 ENTER 707;Value
40 PRINT Value
50 END
```

---

---

## CGRade:JITTer

**Command** `:MEASure:CGRade:JITTer <format>`

The `:MEASure:CGRade:JITTer` measures the jitter at the eye diagram crossing point. The parameter specifies the format, peak-to-peak or RMS, of the returned results. Before using this command or query, you must use the `:DISPlay:CGRade` command to enable the color grade persistence feature.

<format> {PP | RMS}

---

**Example** This example measures the jitter.

```
10 OUTPUT 707;"MEASURE:CGRADe:JITTeR RMS"  
20 END
```

---

**Query** `:MEASure:CGRade:JITTer? <format>`

The `:MEASure:CGRade:JITTer?` query returns the jitter measurement of the color grade display. Before using this command or query, you must use the `:DISPlay:CGRade` command to enable the color grade persistence feature.

**Returned Format** `[:MEASure:CGRade:JITTer]<value>[,<result_state>]<NL>`

<value> The jitter.

<result\_state> If SENDVALID is ON, the result state is returned with the measurement result. Refer to the `MEASure:RESults` command, for a list of the result states.

---

**Example** This example places the current jitter in the numeric variable, Value, then prints the contents of the variable to the computer's screen.

```
10 OUTPUT 707;":SYSTEM:HeADeR OFF" !Response headers off  
20 OUTPUT 707;"MEASURE:CGRADe:JITTeR? RMS"  
30 ENTER 707;Value  
40 PRINT Value  
50 END
```

---

## CGRade:QFACTOR

**Command** :MEASure:CGRade:QFACTOR

The :MEASure:CGRade:QFACTOR command measures the Q factor. Before using this command or query, you must use the :DISPlay:CGRade command to enable the color grade persistence feature. Also, there must be a full eye diagram on screen before a valid measurement can be made.

---

**Example** This example measures the Q factor.

```
10 OUTPUT 707;"MEASURE:CGRADe:QFACTOR"
20 END
```

---

**Query** :MEASure:CGRade:QFACTOR?

The :MEASure:CGRade:QFACTOR? query returns the Q factor measurement of the color grade display. Before using this command or query, you must use the :DISPlay:CGRade command to enable the color grade persistence feature.

**Returned Format** [:MEASure:CGRade:QFACTOR]<value>[,<result\_state>]<NL>

<value> The Q factor.

<result\_state> If SENDVALID is ON, the result state is returned with the measurement result. Refer to the MEASure:RESults command, for a list of the result states.

---

**Example** This example places the Q factor in the numeric variable, Value, then prints the contents of the variable to the computer's screen.

```
10 OUTPUT 707;" :SYSTEM:HEADER OFF"           !Response headers off
20 OUTPUT 707;" :MEASURE:CGRADe:QFACTOR"
30 ENTER 707;Value
40 PRINT Value
50 END
```

---

---

## CLEAr

**Command**           :MEASure:{CLEAr | SCRatch}

The :MEASure:CLEAr command clears the measurement results from the screen and disables all previously enabled measurements.

---

**Example**           This example clears the current measurement results from the screen.

```
10 OUTPUT 707; " :MEASURE:CLEAR"  
20 END
```

---



---

## CLOCK

**This command is only available when the E2688A High Speed Serial Software.**

**Command**                   :MEASure:CLOCK { {ON|1}, CHANNEL<N> | {OFF|0} }

The :MEASure:CLOCK command turns the recovered clock display on or off and sets the the clock recovery channel source.

<N> is an integer, 1 - 4.

---

**Example**                   This example turns the recovered clock display on for channel 1.

```
10 OUTPUT 707; ":MEASURE:CLOCK ON, CHANNEL1"
20 END
```

---

**Query**                     :MEASure:CLOCK?

The :MEASure :CLOCK? query returns the state of the recovered clock display.

**Returned format**       [:MEASure:CLOCK] {1 | 0}<NL>

---

**Example**                   This example places the current setting of the recovered clock display in the variable Setting, then prints the contents of the variable to the computer's screen.

```
10 OUTPUT 707; "SYSTEM:HEADER OFF"
20 OUTPUT 707; ":MEASURE:CLOCK?"
30 ENTER 707; Setting
40 PRINT Setting
50 END
```

---

## CLOCK:METHOD

**This command is only available when the E2688A High Speed Serial Software.**

### Command

```
:MEASure:CLOCK:METHOD
{FOPLL,<data_rate>,<loop_bandwidth>} |
{SOPLL,<data_rate>,<loop_bandwidth>,
 <damping_factor>} |
{EXPFOPLL <source>,{RISing | FALLing | BOTH},
 <multiplier>,<clock_freq>,<track_freq>} |
{EXPFOPLL <source>,{RISing | FALLing | BOTH},
 <multiplier>,<clock_freq>,<track_freq>,
 <damping_fact>} |
{EXPLICIT, <source>, {RISing | FALLing | BOTH}
 [,<multiplier>]} |
{FIXed,{AUTO | {SEMI[,<data_rate>]}} | <data_rate>}}
```

The :MEASure:CLOCK:METHOD command sets the clock recovery method to FOPLL (first order phase-locked loop), SOPLL (second order phase-locked loop), EXPFOPLL (Explicit First Order PLL), EXSOPLL (Explicit Second Order PLL), EXPLICIT (Explicit Clock), or FIXed (Constant Frequency).

<source> {CHANnel<N> | FUNCTION<N> | WMemory<N>}

<N> is an integer, 1 - 4.

<data\_rate> A real number for the base data rate in Hertz.

<damping\_factor> A real number for the damping factor of the PLL in bits per second.

<loop\_bandwidth> A real number for the cutoff frequency for the PLL to track.

<multiplier> An integer used as the multiplication factor.

<clock\_freq> A real number used for the clock frequency of the PLL.

<track\_freq> A real number used for the tracking frequency of the PLL.

<damping\_fact> A real number used for the damping factor of the PLL.

---

**Example**

This example sets the clock recovery method to phase-locked loop.

```
10 OUTPUT 707; ":MEASURE:CLOCK:METHOD FOPLL,2E9,1.19E6"
20 END
```

---

**Query**

:MEASure:CLOCK:METHOD?

The :MEASure:CLOCK:METHOD? query returns the state of the clock recovery method.

**Returned format**

```
[ :MEASure:CLOCK:METHOD]
{FOPLL,<data_rate>,<loop_bandwidth>} |
{SOPLL,<data_rate>,<loop_bandwidth>,<damping_factor>} |
{EXPFOPLL <source>,{RISing | FALLing | BOTH},
<multiplier>,<clock_freq>,<track_freq>} |
{EXPSOPLL <source>,{RISing | FALLing | BOTH},
<multiplier>,<clock_freq>,<track_freq>,<damping_fact>} |
{EXplicit,<source>,{RISing | FALLing | BOTH},<multiplier>} |
{FIXed,{AUTO | {SEMI,<data_rate>} | <data_rate>}}
```

---

**Example**

This example places the current setting of the clock recovery method in the variable Setting, then prints the contents of the variable to the computer's screen.

```
10 OUTPUT 707;"SYSTEM:HEADER OFF"
20 OUTPUT 707;":MEASURE:CLOCK:METHOD?"
30 ENTER 707;Setting
40 PRINT Setting
50 END
```

---

---

## CLOCK::VERTical

**This command is only available when the E2688A High Speed Serial Software is installed.**

**Command**                   :MEASure:CLOCK:VERTical {AUTO | MANual}

The :MEASure:CLOCK:VERTical command sets the recovered clock vertical scale mode to automatic or manual. In automatic mode, the oscilloscope automatically selects the vertical scaling and offset. In manual mode, you can set your own scaling and offset values.

---

**Example**                   This example sets the recovered clock vertical scale mode to automatic.

```
10 OUTPUT 707;":MEASURE:CLOCK:VERTical AUTO"  
20 END
```

---

**Query**                    :MEASure:CLOCK:VERTical?

The :MEASure:CLOCK:VERTical? query returns the current recovered clock vertical scale mode setting.

**Returned format**       [:MEASure:CLOCK:VERTical] {AUTO | MANual}

---

**Example**                   This example places the current setting of the recovered clock vertical scale mode in the string variable Setting\$, then prints the contents of the variable to the computer's screen.

```
10 OUTPUT 707;"SYSTEM:HEADER OFF"  
20 OUTPUT 707;":MEASURE:CLOCK:VERTICAL?"  
30 ENTER 707;Setting$  
40 PRINT Setting$  
50 END
```

---

## CLOCK::VERTICAL:OFFSet

**This command is only available when the E2688A High Speed Serial Software is installed.**

**Command** :MEASure:CLOCK:VERTical:OFFSet <offset>

The :MEASure:CLOCK:VERTical:OFFSet command sets the recovered clock vertical offset.

<offset> A real number for the recovered clock vertical offset.

---

**Example** This example sets the clock recovery vertical offset to 1 volt.

```
10 OUTPUT 707; ":MEASURE:CLOCK:VERTICAL:OFFSET 1"
20 END
```

**Query** :MEASure:CLOCK:VERTical:OFFSet?

The :MEASure:CLOCK:VERTical:OFFSet? query returns the clock recovery vertical offset setting.

**Returned format** [:MEASure:CLOCK:VERTical:OFFSet] <value><NL>

<value> The clock recovery vertical offset setting.

---

**Example** This example places the current value of recovered clock vertical offset in the numeric variable, Value, then prints the contents of the variable to the computer's screen.

```
10 OUTPUT 707; ":SYSTEM:HEADER OFF"!Response headers off
20 OUTPUT 707; ":MEASURE:CLOCK:VERTICAL:OFFSET?"
30 ENTER 707;Value
40 PRINT Value
50 END
```

---

## CLOCK:VERTical:RANGe

**This command is only available when the E2688A High Speed Serial Software is installed.**

**Command** :MEASure:CLOCK:VERTical:RANGe <range>

The :MEASure:CLOCK:VERTical:RANGe command sets the recovered clock vertical range.

<range> A real number for the full-scale recovered clock vertical range.

---

**Example** This example sets the recovered clock vertical range to 16 volts (2 volts times 8 divisions.)

```
10 OUTPUT 707; ":MEASURE:CLOCK:VERTICAL:RANGE 16"  
20 END
```

---

**Query** :MEASure:CLOCK:VERTical:RANGe?

The :MEASure:CLOCK:VERTical:RANGe? query returns the recovered clock vertical range setting.

**Returned Format** [:MEASure:CLOCK:VERTical:RANGe] <value><NL>

<value> The recovered clock vertical range setting.

---

**Example** This example places the current value of recovered clock vertical range in the numeric variable, Value, then prints the contents of the variable to the computer's screen.

```
10 OUTPUT 707; ":SYSTEM:HEADER OFF"!Response headers off  
20 OUTPUT 707; ":MEASURE:CLOCK:VERTICAL:RANGE?"  
30 ENTER 707;Value  
40 PRINT Value  
50 END
```

---

## CTCDutycycle

**This command is only available when the E2681A Jitter Analysis Software is installed.**

**Command**                   :MEASure:CTCDutycycle <source>,<direction>

The :MEASure:CYCDutycycle command measures the cycle-to-cycle duty cycle jitter (%) of the waveform.

<source> {CHANnel<N> | FUNction<N> | WMEMory<N>}

<N> is an integer, 1 - 4.

<direction> {RISing | FALLing}

Specifies direction of wavcform edge to make measurement.

---

### Example

This example measures the cycle-to-cycle duty cycle on the rising edge of channel 1.

```
10 OUTPUT 707;"MEASURE:CTCDUTYCYCLE CHANNEL1,RISING"  
20 END
```

## Measure Commands

### CTCDutyCycle

**Query** `:MEASure:CTCDutyCycle? <source>,<direction>`

The `:MEASure:CTCDutyCycle?` query returns the cycle-to-cycle duty cycle jitter (%) measurement.

**Returned Format** `[:MEASure:CTCDutyCycle <value>[,<result_state>]<NL>`

`<value>` The cycle-to-cycle duty cycle jitter (%) of the waveform.

`<result_state>` If SENDVALID is ON, the result state is returned with the measurement result. Refer to the `MEASure:RESults` command, for a list of the result states.

---

### Example

This example places the cycle-to-cycle duty cycle of channel 1 in the numeric variable, `Value`, then prints the contents of the variable to the computer's screen.

```
10 OUTPUT 707;" :SYSTEM:HEADER OFF"           !Response headers off
20 OUTPUT 707;" :MEASURE:CTCDUTYCYCLE? CHANNEL1,RISING"
30 ENTER 707;Value
40 PRINT Value
50 END
```

---



---

## CTCJitter

**This command is only available when the E2681A Jitter Analysis Software is installed.**

**Command**                   :MEASure:CTCJitter <source>,<direction>

The :MEASure:CYCJitter command measures the cycle-to-cycle jitter of the waveform.

<source> {CHANnel<N> | FUNction<N> | WMEMory<N>}

<N> is an integer, 1 - 4.

<direction> {RISing | FALLing}

Specifies direction of waveform edge to make measurement.

---

### Example

This example measures the cycle-to-cycle jitter on the rising edge of channel 1.

```
10 OUTPUT 707;"MEASURE:CTCJITTER CHANNEL1,RISING"  
20 END
```

## Measure Commands

### CTCJitter

**Query** `:MEASure:CTCJitter? <source>,<direction>`

The `:MEASure:CTCJitter?` query returns the cycle-to-cycle jitter time measurement.

**Returned Format** `[:MEASure:CTCJitter <value>[,<result_state>]<NL>`

`<value>` The cycle-to-cycle jitter time of the waveform.

`<result_state>` If SENDVALID is ON, the result state is returned with the measurement result. Refer to the `MEASure:RESults` command, for a list of the result states.

---

### Example

This example places the cycle-to-cycle jitter of channel 1 in the numeric variable, `Value`, then prints the contents of the variable to the computer's screen.

```
10 OUTPUT 707;" :SYSTEM:HEADER OFF"           !Response headers off
20 OUTPUT 707;" :MEASURE:CTCJITTER CHANNEL1,RISING"
30 ENTER 707;Value
40 PRINT Value
50 END
```

---

---

## CTCNwidth

<p><b>This command is only available when the E2681A Jitter Analysis Software is installed.</b></p>
---

**Command** :MEASure:CTCNwidth [<source>]

The :MEASure:CTCNwidth command measures the cycle-to-cycle -width jitter of the waveform.

<source> {CHANnel<N> | FUNction<N> | WMEMory<N>}  
<N> is an integer, 1 - 4.

---

**Example** This example measures the cycle-to-cycle -width of channel 1.

```
10 OUTPUT 707; "MEASURE:CTCNWIDTH CHANNEL1"
20 END
```

---

**Query** :MEASure:CTCNwidth? [<source>]

The :MEASure:CTCNwidth? query returns the cycle-to-cycle -width jitter measurement.

**Returned Format** [:MEASure:CTCNwidth <value>[,<result\_state>]<NL>

<value> The cycle-to-cycle - width jitter of the waveform.

<result\_state> If SENDVALID is ON, the result state is returned with the measurement result. Refer to the MEASure:RESults command, for a list of the result states.

---

**Example** This example places the cycle-to-cycle - width of channel 1 in the numeric variable, Value, then prints the contents of the variable to the computer's screen.

```
10 OUTPUT 707; ":SYSTEM:HEADER OFF"           !Response headers off
20 OUTPUT 707; ":MEASURE:CTCNWIDTH CHANNEL1"
30 ENTER 707;Value
40 PRINT Value
50 END
```

---

## CTCPwidth

<b>This command is only available when the E2681A Jitter Analysis Software is installed.</b>
--

**Command** :MEASure:CTCPwidth [<source>]

The :MEASure:CTCPwidth command measures the cycle-to-cycle + width jitter of the waveform.

<source> {CHANnel<N> | FUNCtion<N> | WMEMory<N>}

<N> is an integer, 1 - 4.

---

**Example** This example measures the cycle-to-cycle - width of channel 1.

```
10 OUTPUT 707; "MEASURE:CTCPWIDTH CHANNEL1"  
20 END
```

**Query** :MEASure:CTCPwidth? [<source>]

The :MEASure:CTCPwidth? query returns the cycle-to-cycle + width jitter measurement.

**Returned Format** [:MEASure:CTCPwidth <value>[,<result\_state>]<NL>

<value> The cycle-to-cycle + width jitter of the waveform.

<result\_state> If SENDVALID is ON, the result state is returned with the measurement result. Refer to the MEASure:RESults command, for a list of the result states.

---

**Example** This example places the cycle-to-cycle + width of channel 1 in the numeric variable, Value, then prints the contents of the variable to the computer's screen.

```
10 OUTPUT 707; ":SYSTEM:HEADER OFF"           !Response headers off  
20 OUTPUT 707; ":MEASURE:CTCPWIDTH CHANNEL1"  
30 ENTER 707;Value  
40 PRINT Value  
50 END
```

---

## DATarate

<p><b>This command is only available when the E2681A Jitter Analysis Software is installed.</b></p>
---

**Command**           :MEASure:DATarate <source>[, {AUTO | (SEMI, <data\_rate>) }]

The :MEASure:DATarate command measures the data rate in bits per second for the selected source. Use the :MEASure:UNITinterval command/query to measure the unit interval of the source

<source> {CHANnel<N> | FUNCTION<N> | WMEMory<N>}

<N> CHANnel<N> is an integer, 1- 4.

FUNCTION<N> and WMEMory<N> are:

    An integer, 1- 4, representing the selected function or waveform memory.

<data\_rate> A real number specifying the data rate.

---

**Example**           This example measures the data rate of channel 1.

```
10 OUTPUT 707; "MEASURE:DATARATE CHANNEL1"
20 END
```

---

**Query**             :MEASure:DATarate? <source>[, {Auto | (SEMI, <data\_rate>) }]

The :MEASure:DATarate? query returns the measured data rate.

**Returned Format**   [:MEASure:DATarate] <value>[, <result\_state>]<NL>

<value> Data rate frequency in bits per second for the selected source.

<result\_state> If SENDvalid is ON, the result state is returned with the measurement result. See the :MEASure:RESults table in this chapter for a list of the result states.

## Measure Commands

### DATarate

---

**Example**

This example places the current data rate of the channel 1 waveform in the numeric variable, Value, then prints the contents of the variable to the computer's screen.

```
10 OUTPUT 707;":SYSTEM:HEADER OFF"!Response headers off
20 OUTPUT 707;":MEASURE:DATARATE? CHANNEL1"
30 ENTER 707;Value
40 PRINT Value
50 END
```

---

---

## DEFine

**Command** :MEASure:DEFine <meas\_spec>

The :MEASure:DEFine command sets up the definition for measurements by specifying the delta time, threshold, or top-base values. Changing these values may affect other measure commands. Table 24-1 identifies the relationships between user-defined values and other MEASure commands.

<meas\_spec> { DELTatime | EWINDOW | THResholds | TOPBase }

**Table 24-1** :MEASure:DEFine Interactions

---

MEASure Commands	DELTatime	THResholds	TOPBase
RISetime		x	x
FALLtime		x	x
PERiod		x	x
FREQuency		x	x
VTOP			x
VBASe			x
VAMPitude			x
PWIDth		x	x
NWIDth		x	x
OVERshoot		x	x
DUTYcycle		x	x
DELTatime	x	x	x
VRMS		x	x
PREShoot		x	x
VLOWer		x	x
VMIDdle		x	x
VUPPer		x	x
VAVerage		x	x
VARea		x	x

---

## Measure Commands

### DEFine

**Command** :MEASure:DEFine DELTatime,<start\_edge\_direction>,  
<start\_edge\_number>,<start\_edge\_position>,  
<stop\_edge\_direction>,<stop\_edge\_number>,  
<stop\_edge\_position>

<edge  
\_direction> {RISing | FALLing | EITHER} for start and stop directions.

<edge  
\_number> An integer from 1 to 65534 for start and stop edge numbers.

<edge  
\_position> {UPPer | MIDDLE | LOWer} for start and stop edge positions.

**Command** :MEASure:DEFine EWINdow,<start>,<stop>  
[,<start\_after>]

The :MEASure:DEFine EWINdow command is used to change the starting point and the stopping point of the window used to make the eye pattern measurements of eye height, eye crossing %, and eye q-factor. In addition, the number of waveform hits can be set to ensure that enough data has been collected to make accurate measurements.

<start> An integer from 1 to 100 for horizontal starting point. (Default value is 40%.)

<stop> An integer from 1 to 100 for horizontal stopping point. (Default value is 60%.)

<start\_after> An integer from 1 to 63,488 for number of hits to acquire before making measurements. (Default value is 1.)



**Command** :MEASure:DEFine THResholds,STANdard,<source>

:MEASure:DEFine THResholds,PERCent,<upper\_pct>,  
<middle\_pct>,<lower\_pct>,<source>

:MEASure:DEFine THResholds,VOLTage,<upper\_volts>,  
<middle\_volts>,<lower\_volts>,<source>

<source> {ALL | CHANnel<N> | FUNction<N> | WMEMory<N>}

<N> s an integer, 1 - 4.

<upper\_pct>  
<middle\_pct>  
<lower\_pct> An integer, - 25 to 125.

<upper\_volts>  
<middle\_volts>  
<lower\_volts> A real number specifying voltage.

## Measure Commands

### DEFine

**Command**                   :MEASure:DEFine TOPBase, {{STANdard | HISTONLY |  
MINMax | {<top\_volts>, <base\_volts>}},  
{ALL | CHANnel<N> | FUNction<N> | WMEMory<N>}

<top\_volts>  
<base\_volts> A real number specifying voltage.

---

#### Example

This example sets the parameters for a time measurement from the first positive edge at the upper threshold level to the second negative edge at the middle threshold.

```
10 OUTPUT 707; ":MEASURE:DEFINE DELTATIME, RISING,  
1, UPPER, FALLING, 2, MIDDLE"  
20 END
```

If you specify one source, both parameters apply to that waveform. If you specify two sources, the measurement is from the first positive edge on source 1 to the second negative edge on source 2.

---

Specify the source either using :MEASure:SOURce, or using the optional <source> parameter when the DELTatime measurement is started.

**Query**                   :MEASure:DEfine? {DELtetime | EWINDow | THResholds | TOPBase}<start>

The :MEASure:DEfine? query returns the current setup for the specified parameter.

**Returned Format**

```
[ :MEASure:DEfine DELtetime] <start_edge_direction>,
<start_edge_number>, <start_edge_position>,
<stop_edge_direction>, <stop_edge_number>,
<stop_edge_position><NL>

[ :MEASure:DEfine] EWINDow, <start>, <stop>, <start_after> <NL>

[ :MEASure:DEfine] THResholds, {{STANdard} |
{PERcent, <upper_pct>, <middle_pct>, <lower_pct>} |
{VOLtage, <upper_volts>, <middle_volts>, <lower_volts>}},
{ALL | CHANnel<N> | FUNction<N> | WMEMory<N>}<NL>

[ :MEASure:DEfine] TOPBase, {{STANdard}
| {<top_volts>, <base_volts>}}<NL>, {ALL | CHANnel<N> |
FUNction<N> | WMEMory<N>}
```

**Use the Suffix Multiplier Instead**

**Using "mV" or "V" following the numeric value for the voltage value will cause Error 138 - Suffix not allowed. Instead, use the convention for the suffix multiplier as described in chapter 3, "Message Communication and System Functions."**

**Example**                   This example returns the current setup for the measurement thresholds to the string variable, Setup\$, then prints the contents of the variable to the computer's screen.

```
10 DIM Setup$[50]!Dimension variable
20 OUTPUT 707; ":MEASURE:DEFINE? THRESHOLDS"
30 ENTER 707; Setup$
40 PRINT Setup$
50 END
```

---

## DELTime

**Command**           :MEASure:DELTime [<source>[, <source>]]

The :MEASure:DELTime command measures the delta time between two edges. If one source is specified, the delta time from the leading edge of the specified source to the trailing edge of the specified source is measured. If two sources are specified, the delta time from the leading edge on the first source to the trailing edge on the second source is measured.

Sources are specified with the :MEASure:SOURce command or with the optional parameter following the :MEASure:DELTime command. The rest of the parameters for this command are specified with the :MEASure:DEFine command.

The necessary waveform edges must be present on the display. The query will return 9.99999E+37 if the necessary edges are not displayed.

<source> {CHANnel<N> | FUNCtion<N> | WMEMory<N>}

<N> is an integer, 1 - 4.

---

### Example

This example measures the delta time between channel 1 and channel 2.

```
10 OUTPUT 707; " :MEASURE:DELTATIME CHANNEL1,CHANNEL2 "  
20 END
```

**Query** :MEASure:DELTatime? [<source>[,<source>]]

The :MEASure:DELTatime? query returns the measured delta time value.

**Returned Format** [:MEASure:DELTatime] <value>[,<result\_state>]<NL>

<value> Delta time from the first specified edge on one source to the next specified edge on another source.

<result\_state> If SENDvalid is ON, the result state is returned with the measurement result. See the :MEASure:RESults table in this chapter for a list of the result states.

---

**Example**

This example places the current value of delta time in the numeric variable, Value, then prints the contents of the variable to the computer's screen. This example assumes the source was set using :MEASure:SOURce.

```
10 OUTPUT 707;":SYSTEM:HEADER OFF"!Response headers off
20 OUTPUT 707;":MEASURE:DELTATIME?"
30 ENTER 707;Value
40 PRINT Value
50 END
```

**Turn Off Headers**

**When receiving numeric data into numeric variables, turn off the headers. Otherwise, the headers may cause misinterpretation of returned data.**

---

**Related Commands** :MEASure:DEFine DELTatime

---

## DUTYcycle

**Command**           :MEASure:DUTYcycle [<source>],<direction>

**The <direction> parameter is only available when the E2681A Jitter Analysis Software is installed. When <direction> is specified, the <source> parameter is required.**

The :MEASure:DUTYcycle command measures the ratio (%) of the positive pulse width to the period. Sources are specified with the :MEASure:SOURce command or with the optional <source> parameter following the :MEASure:DUTYcycle command.

<source> {CHANnel<N> | FUNction<N> | WMEMory<N>}

<N> is an integer, 1 - 4.

<direction> {RISing | FALLing}

Specifies direction of edge to start measurement.

---

**Example**           This example measures the duty cycle of the channel 1 waveform.

```
10  OUTPUT 707; ":MEASURE:DUTYCYCLE CHANNEL1 "  
20  END
```

---

**Query**                   :MEASure:DUTYcycle? [<source>],<direction>

The :MEASure:DUTYcycle? query returns the measured duty cycle (%) of the specified source.

**Returned Format**       [:MEASure:DUTYcycle] <value>[,<result\_state>]<NL>

<value>           The ratio (%) of the positive pulse width to the period.

<result\_state>    If SENDvalid is ON, the result state is returned with the measurement result. See the :MEASure:RESults table in this chapter for a list of the result states.

---

**Example**

This example places the current duty cycle of the channel 1 waveform in the numeric variable, Value, then prints the contents of the variable to the computer's screen.

```
10 OUTPUT 707;":SYSTEM:HEADER OFF"!Response headers off
20 OUTPUT 707;":MEASURE:DUTYCYCLE? CHANNEL1"
30 ENTER 707;Value
40 PRINT Value
50 END
```

---

---

## FALLtime

**Command** :MEASure:FALLtime [<source>]

The :MEASure:FALLtime command measures the time at the upper threshold of the falling edge, measures the time at the lower threshold of the falling edge, then calculates the fall time. Sources are specified with the :MEASure:SOURce command or with the optional parameter following the :MEASure:FALLtime command.

The first displayed falling edge is used for the fall-time measurement. To make this measurement requires 4 or more sample points on the falling edge of the waveform.

Fall time = time at lower threshold point – time at upper threshold point.

<source> {CHANnel<N> | FUNction<N> | WMEMory<N>}

<N> is an integer, 1 - 4.

---

### Example

This example measures the fall time of the channel 1 waveform.

```
10 OUTPUT 707; ":MEASURE:FALLTIME CHANNEL1"  
20 END
```



**Query** `:MEASure:FALLtime? [<source>]`

The `:MEASure:FALLtime?` query returns the fall time of the specified source.

**Returned Format** `[ :MEASure:FALLtime] <value>[, <result_state>]<NL>`

`<value>` Time at lower threshold - time at upper threshold.

`<result_state>` If `SENDvalid` is ON, the result state is returned with the measurement result. See the `:MEASure:RESults` table in this chapter for a list of the result states.

---

**Example**

This example places the current value for fall time in the numeric variable, `Value`, then prints the contents of the variable to the computer's screen.

```
10 OUTPUT 707; ":SYSTEM:HEADER OFF"!Response headers off
20 OUTPUT 707; ":MEASURE:FALLTIME? CHANNEL1"
30 ENTER 707;Value
40 PRINT Value
50 END
```

---

---

## FFT:DFrequency

**Command** :MEASure:FFT:DFrequency [<source>]

The :MEASure:FFT:DFrequency command enables the delta frequency measurement. The source is specified with the :MEASure:SOURce command or with the optional parameter following the :MEASure:FFT:DFR command.

The source must be a function that is set to FFTMagnitude, or a waveform memory that contains an FFT for this command and query to work.

<source> {FUNction<N> | WMEMory<N>}

<N> For functions and waveform memories: 1, 2, 3, or 4.

**Query** :MEASure:FFT:DFrequency? [<source>]

The :MEASure:FFT:DFrequency? query returns the FFT delta frequency of the specified peaks.

**Returned Format** [:MEASure:FFT:DFrequency]  
<delta\_frequency>[, <result\_state>]<NL>

<result\_state> If SENDvalid is ON, the result state is returned with the measurement result. See the :MEASure:RESults table in this chapter for a list of the result states.

**Related Commands** :MEASure:FFT:PEAK1, :MEASure:FFT:PEAK2, :MEASure:FFT:THReshold

---

**Example** This example measures the frequency difference between the peaks specified by the :meas:fft:peak1 and :meas:fft:peak2 for channel 4.

```
10 OUTPUT 707;":SYSTEM:HEADER OFF"!Response headers off
20 OUTPUT 707;":func4:fftm chan4"!Perform FFT on channel 4
30 OUTPUT 707;":func4:disp on"!Display the FFT
40 OUTPUT 707;":meas:FFT:thr -47"!Set peak threshold at -47 dBm
50 OUTPUT 707;":meas:FFT:Peak1 2"!Meas diff between peak 2 and 3
60 OUTPUT 707;":meas:FFT:Peak2 3"
70 OUTPUT 707;":meas:FFT:dfr func4"!Perform dfrequency meas
80 OUTPUT 707;":meas:FFT:dfr? func4"!Query oscilloscope for
measurement
90 ENTER 707;Frequency
100 PRINT Frequency
110 END
```

---

---

## FFT:DMAGnitude

**Command** :MEASure:FFT:DMAGnitude [<source>]

The :MEASure:FFT:DMAGnitude command enables the delta magnitude measurement. The source is specified with the :MEASure:SOURce command or with the optional parameter following the :MEASure:FFT command.

The source must be a function that is set to FFT, or a waveform memory that contains an FFT for this command and query to work.

<source> {FUNction<N> | WMEMory<N>}

<N> For functions and waveform memories: 1, 2, 3, or 4.

**Query** :MEASure:FFT:DMAGnitude? [<source>]

The :MEASure:FFT:DMAGnitude? query returns the delta magnitude of the specified peaks.

**Returned Format** [:MEASure:FFT:DMAGnitude]  
<delta\_magnitude> [, <result\_state>] <NL>

<result\_state> If SENDvalid is ON, the result state is returned with the measurement result. See the :MEASure:RESults table in this chapter for a list of the result states.

**Related Commands** :MEASure:FFT:PEAK1, :MEASure:FFT:PEAK2, :MEASure:FFT:THReshold

---

### Example

This example measures the magnitude difference between the peaks specified by the :meas:fft:peak1 and :meas:fft:peak2 for channel 4.

```

10 OUTPUT 707;":SYSTEM:HEADER OFF"!Response headers off
20 OUTPUT 707;":func4:fftm chan4"!Perform FFT on channel 4
30 OUTPUT 707;":func4:disp on"!Display the FFT
40 OUTPUT 707;":meas:FFT:thr -47"!Set peak threshold at -47 dBm
50 OUTPUT 707;":meas:FFT:Peak1 2"!Meas diff between peak 2 and 3
60 OUTPUT 707;":meas:FFT:Peak2 3"
70 OUTPUT 707;":meas:FFT:dmag func4"!Perform dfrequency meas
80 OUTPUT 707;":meas:FFT:dmag? func4"!Query oscilloscope for
measurement
90 ENTER 707;Magnitude
100 PRINT Magnitude
110 END

```

---

---

## FFT:FREQUENCY

**Command** :MEASure:FFT:FREQUENCY [<source>]

The :MEASure:FFT:FREQUENCY command enables the frequency measurement. The source is specified with the :MEASure:SOURce command or with the optional parameter following the :MEASure:FFT command.

The source must be a function that is set to FFT, or a waveform memory that contains an FFT for this command and query to work.

<source> {FUNction<N> | WMEMory<N>}

<N> For functions and waveform memories: 1, 2, 3, or 4.

**Query** :MEASure:FFT:FREQUENCY? [<source>]

The :MEASure:FFT:FREQUENCY? query returns the frequency measurement.

**Returned Format** [:MEASure:FFT:FREQUENCY] <frequency>[, <result\_state>]<NL>

<result\_state> If SENDvalid is ON, the result state is returned with the measurement result. See the :MEASure:RESults table in this chapter for a list of the result states.

---

### Example

This example measures the frequency the peak specified by the :meas:fft:peak1 for channel 4.

```
10 OUTPUT 707;":SYSTEM:HEADER OFF"!Response headers off
20 OUTPUT 707;":func4:ftm chan4"!Perform FFT on channel 4
30 OUTPUT 707;":func4:disp on"!Display the FFT
40 OUTPUT 707;":meas:FFT:thr -47"!Set peak threshold at -47 dBm
50 OUTPUT 707;":meas:FFT:Peak1 2"!Meas amplitude of peak 2
60 OUTPUT 707;":meas:FFT:freq func4"!Perform frequency meas
70 OUTPUT 707;":meas:FFT:freq? func4"!Query oscilloscope for
measurement
80 ENTER 707;Frequency
90 PRINT Frequency
100 END
```

---

## FFT:MAGNitude

**Command** :MEASure:FFT:MAGNitude [<source>]

The :MEASure:FFT:MAGNitude command measures the magnitude of the FFT. The source is specified with the :MEASure:SOURce command or with the optional parameter following the :MEASure:FFT command.

The source must be a function that is set to FFT, or a waveform memory that contains an FFT for this command and query to work.

<source> {FUNction<N> | WMEMory<N>}

<N> For functions and waveform memories: 1, 2, 3, or 4.

**Query** :MEASure:FFT:MAGNitude?

The :MEASure:FFT:MAGNitude? query returns the magnitude value of the FFT.

**Returned Format** [:MEASure:FFT:FMAGNitude] <magnitude>[, <result\_state>]<NL>

<result\_state> If SENDvalid is ON, the result state is returned with the measurement result. See the :MEASure:RESults table in this chapter for a list of the result states.

---

### Example

This example measures the magnitude of the peak specified by the :meas:fft:peak for channel 4.

```

10 OUTPUT 707;":SYSTEM:HEADER OFF"!Response headers off
20 OUTPUT 707;":func4:ftm chan4"!Perform FFT on channel 4
30 OUTPUT 707;":func4:disp on"!Display the FFT
40 OUTPUT 707;":meas:FFT:thr -47"!Set peak threshold at -47 dBm
50 OUTPUT 707;":meas:FFT:Peak1 2"!Meas magnitude of peak 2
60 OUTPUT 707;":meas:FFT:magn func4"!Perform dfrequency meas
70 OUTPUT 707;":meas:FFT:magn? func4"!Query oscilloscope for
measurement
80 ENTER 707;Magnitude
90 PRINT Magnitude
100 END

```

---

## FFT:PEAK1

**Command** :MEASure:FFT:PEAK1 <1st\_peak\_number>

The :MEASure:FFT:PEAK1 command sets the peak number of the first peak for FFT measurements. The source is specified with the :MEASure:SOURce command as FUNCtion<N> or WMEMory<N>.

<1st\_peak\_number> An integer, 1 to 100 specifying the number of the first peak.  
<N> For functions and waveform memories: 1, 2, 3, or 4.

**Query** :MEASure:FFT:PEAK1?

The :MEASure:FFT:PEAK1? query returns the peak number currently set as the first peak.

**Returned Format** [:MEASure:FFT:PEAK1] <1st\_peak\_number><NL>

**See Also** :MEASure:FFT:THReshold  
Also see the example for :MEASure:FFT:DFRequency in this chapter.

---

## FFT:PEAK2

**Command** :MEASure:FFT:PEAK2 <2nd\_peak\_number>

The :MEASure:FFT:PEAK2 command sets the peak number of the second peak for FFT measurements. The source is specified with the :MEASure:SOURce command as FUNCtion<N> or WMEMory<N>.

<2nd\_peak\_number> An integer, 1 to 100 specifying the number of the second peak.

<N> For functions and waveform memories: 1, 2, 3, or 4.

**Query** :MEASure:FFT:PEAK2?

The :MEASure:FFT:PEAK2? query returns the peak number currently set as the second peak.

**Returned Format** [:MEASure:FFT:PEAK1] <2nd\_peak\_number><NL>

**See Also** :MEASure:FFT:THReshold

Also see the example for :MEASure:FFT:DFRequency in this chapter.

---

## FFT:THReshold

**Command** :MEASure:FFT:THReshold <threshold\_value>

The :MEASure:FFT:THReshold command sets the peak search threshold value in dB. The dB after the threshold value is optional.

<threshold\_value> A real number specifying the threshold for peaks.

**Query** :MEASure:FFT:THReshold?

The :MEASure:FFT:THReshold? query returns the peak search threshold value.

**Returned Format** [:MEASure:FFT:THReshold] <threshold\_value><NL>

These :MEASure commands also operate on FFT functions:

Measure Command	Measurement Performed
:TMAX	The frequency of the maximum value in the spectrum.
:TMIN	The frequency of the minimum value in the spectrum.
:VMAX	The maximum value in the spectrum.
:VMIN	The minimum value in the spectrum.
:VPP	The range of values in the spectrum.
:VTIM	The value at a specified frequency.

**See Also** Also see the example for :MEASure:FFT:DFRequency in this chapter.



---

## FREQUENCY

**Command**           :MEASure:FREQUENCY [<source>],<direction>

**The <direction> parameter is only available when the E2681A Jitter Analysis Software is installed. When <direction> is specified, the <source> parameter is required.**

The :MEASure:FREQUENCY command measures the frequency of the first complete cycle on the screen using the mid-threshold levels of the waveform (50% levels if standard thresholds are selected). The source is specified with the :MEASure:SOURce command or with the optional parameter following the :MEASure:FREQUENCY command.

The algorithm is:

If the first edge on the screen is rising,  
then

frequency = 1/(time at second rising edge - time at first rising edge)

else

frequency = 1/(time at second falling edge - time at first falling edge).

<source> {CHANnel<N> | FUNCtion<N> | WMEMory<N>}

<N> is an integer, 1 - 4.

<direction> {RISing | FALLing}

Specifies direction of edge for measurement.

---

### Example

This example measures the frequency of the channel 1 waveform.

```
10 OUTPUT 707; ":MEASURE:FREQUENCY CHANNEL1"
20 END
```

## Measure Commands

### FREQuency

**Query**                   :MEASure:FREQuency? [<source>],<direction>

The :MEASure:FREQuency? query returns the measured frequency.

**Returned Format**       [:MEASure:FREQuency] <value>[,<result\_state>]<NL>

<value>   The frequency value in Hertz of the first complete cycle on the screen using the mid-threshold levels of the waveform.

<result\_state>   If SENDvalid is ON, the result state is returned with the measurement result. See the :MEASure:RESults table in this chapter for a list of the result states.

---

#### Example

This example places the current frequency of the waveform in the numeric variable, Freq, then prints the contents of the variable to the computer's screen.

```
10 OUTPUT 707;":SYSTEM:HEADER OFF"!Response headers off
20 OUTPUT 707;":MEASURE:FREQUENCY? CHANNEL1"
30 ENTER 707;Freq
40 PRINT Freq
50 END
```

---

---

## HISTogram:HITS

**Command**                   :MEASure:HISTogram:HITS [<source>]

The :MEASure:HISTogram:HITS command measures the number of hits within the histogram. The source is specified with the MEASure:SOURce command or with the optional parameter following the HITS command. The HISTogram:HITS measurement only applies to the histogram waveform or memories containing histograms.

The measurement requires that the histogram feature be enabled using the :HISTogram:MODE command.

<source> {WMEMory<number> | HISTogram}

<number> For waveform memories (WMEMory): 1,2,3, or 4.

---

**Example**                   This example measures the number of hits within the histogram stored in WMEMory1.

```
10 OUTPUT 707;"MEASURE:HISTOGRAM:HITS WMEMORY1"  
20 END
```

---

## Measure Commands

### HISTogram:HITS

**Query** `:MEASure:HISTogram:HITS? [<source>]`

The `:MEASure:HISTogram:HITS?` query returns the number of hits within the histogram.

**Returned Format** `[:MEASure:HISTogram:HITS]<value>[,<result_state>]<NL>`

`<value>` The number of hits in the histogram.

`<result_state>` If SENDVALID is ON, the result state is returned with the measurement result. Refer to the `MEASure:RESults` command, for a list of the result states.

---

### Example

This example returns the number of hits within the current histogram and prints the result to the computer's screen.

```
10 OUTPUT 707;":SYSTEM:HEADER OFF"           !Response headers off
20 OUTPUT 707;":MEASURE:HISTOGRAM:HITS? WMEMORY1"
30 ENTER 707;Histhits
40 PRINT Histhits
50 END
```

---

---

## HISTogram:M1S

**Command**                   :MEASure:HISTogram:M1S [<source>]

The :MEASure:HISTogram:M1S command enables the percentage of points measurement that are within one standard deviation of the mean of the histogram. The source is specified with the MEASure:SOURce command or with the optional parameter following the M1S command. The HISTogram:M1S measurement only applies to the histogram waveform or memories containing histograms.

The measurement requires that the histogram feature be enabled using the :HISTogram:MODE command.

<source> {WMEMory<number> | HISTogram}

<number> For waveform memories (WMEMory): 1,2,3, or 4.

---

### Example

This example measures the percentage of points that are within one standard deviation of the mean of the histogram of the data stored in waveform memory 3.

```
10 OUTPUT 707;"MEASURE:HISTOGRAM:M1S WMEMORY3"  
20 END
```

---

## Measure Commands

### HISTogram:M1S

**Query** `:MEASure:HISTogram:M1S? [<source>]`

The `:MEASure:HISTogram:M1S?` query returns the measurement of the percentage of points within one standard deviation of the mean of the histogram.

**Returned Format** `[ :MEASure:HISTogram:M1S] <value> [ , <result_state> ] <NL>`

`<value>` The percentage of points within one standard deviation of the mean of the histogram.

`<result_state>` If SENDVALID is ON, the result state is returned with the measurement result. Refer to the `MEASure:RESults` command, for a list of the result states.

---

### Example

This example returns the percentage of points within one standard deviation of the mean of the current histogram and prints the result to the computer's screen.

```
10 OUTPUT 707; ":SYSTEM:HEADER OFF"      !Response headers off
20 OUTPUT 707; ":MEASURE:HISTOGRAM:M1S? WMEMORY1"
30 ENTER 707;Histm1s
40 PRINT Histm1s
50 END
```

---

---

## HISTogram:M2S

**Command**                   :MEASure:HISTogram:M2S [<source>]

The :MEASure:HISTogram:M2S command enables the percentage of points measurement that are within two standard deviations of the mean of the histogram. The source is specified with the MEASure:SOURce command or with the optional parameter following the M2S command. The HISTogram:M2S measurement only applies to the histogram waveform or memories containing histograms.

The measurement requires that the histogram feature be enabled using the :HISTogram:MODE command.

<source> {WMEMory<number> | HISTogram}

<number> For waveform memories (WMEMory): 1,2,3, or 4.

---

### Example

This example measures the percentage of points that are within two standard deviations of the mean of the histogram whose source is specified using the MEASure:SOURce command.

```
10 OUTPUT 707;"MEASURE:HISTOGRAM:M2S WMEMORY1 "  
20 END
```

## Measure Commands

### HISTogram:M2S

**Query** `:MEASure:HISTogram:M2S? [<source>]`

The `:MEASure:HISTogram:M2S?` query returns the measurement of the percentage of points within two standard deviations of the mean of the histogram.

**Returned Format** `[ :MEASure:HISTogram:M2S] <value> [ , <result_state> ] <NL>`

`<value>` The percentage of points within two standard deviations of the mean of the histogram.

`<result_state>` If SENDVALID is ON, the result state is returned with the measurement result. Refer to the `MEASure:REsults` command, for a list of the result states.

---

#### Example

This example returns the percentage of points within two standard deviations of the mean of the current histogram and prints the result to the computer's screen.

```
10 OUTPUT 707; ":SYSTEM:HEADER OFF"      !Response headers off
20 OUTPUT 707; ":MEASURE:HISTOGRAM:M2S? WMEMORY1"
30 ENTER 707;Hism2s
40 PRINT Hism2s
50 END
```

---



---

## HISTogram:M3S

**Command**                   :MEASure:HISTogram:M3S [<source>]

The :MEASure:HISTogram:M3S command enables the percentage of points measurement that are within three standard deviations of the mean of the histogram. The source is specified with the MEASure:SOURce command or with the optional parameter following the M3S command. The HISTogram:M3S measurement only applies to the histogram waveform or memories containing histograms.

The measurement requires that the histogram feature be enabled using the :HISTogram:MODE command.

<source> {WMEMory<number> | HISTogram}

<number> For waveform memories (WMEMory): 1,2,3, or 4.

---

### Example

This example measures the percentage of points that are within three standard deviations of the mean of the histogram.

```
10 OUTPUT 707;"MEASURE:HISTOGRAM:M3S HISTOGRAM"  
20 END
```

## Measure Commands

### HISTogram:M3S

**Query** `:MEASure:HISTogram:M3S? [<source>]`

The `:MEASure:HISTogram:M3S?` query returns the measurement of the percentage of points within three standard deviations of the mean of the histogram.

**Returned Format** `[ :MEASure:HISTogram:M3S] <value> [ , <result_state> ] <NL>`

`<value>` The percentage of points within three standard deviations of the mean of the histogram.

`<result_state>` If SENDVALID is ON, the result state is returned with the measurement result. Refer to the `MEASure:REsults` command, for a list of the result states.

---

### Example

This example returns the percentage of points within three standard deviations of the mean of the current histogram and prints the result to the computer's screen.

```
10 OUTPUT 707; ":SYSTEM:HEADER OFF"      !Response headers off
20 OUTPUT 707; ":MEASURE:HISTOGRAM:M3S? WMEMORY1"
30 ENTER 707;Hism3s
40 PRINT Hism3s
50 END
```

---

---

## HISTogram:MAX?

**Query** :MEASure:HISTogram:MAX? [<source>]

The :MEASure:HISTogram:MAX? query returns the measurement of the maximum value of the histogram.

<source> {WMEMory<number> | HISTogram}

<number> For waveform memories (WMEMory): 1,2,3, or 4.

**Returned Format** [:MEASure:HISTogram:MAX]<value>[,<result\_state>]<NL>

<value> The maximum value of the histogram.

<result\_state> If SENDVALID is ON, the result state is returned with the measurement result. Refer to the MEASure:RESults command, for a list of the result states.

---

### Example

This example returns the maximum value of the current histogram and prints the result to the computer's screen.

```
10 OUTPUT 707;":SYSTEM:HEADER OFF"      !Response headers off
20 OUTPUT 707;":MEASURE:HISTOGRAM:MAX?"
30 ENTER 707;Histmax
40 PRINT Histmax
50 END
```

---

## HISTogram:MEAN?

**Query**                   :MEASure:HISTogram:MEAN? [<source>]

The :MEASure:HISTogram:MEAN? query returns the measurement of the mean of the histogram.

<source> {WMEMory<number> | HISTogram}

<number> For waveform memories (WMEMory): 1,2,3, or 4.

**Returned Format**       [:MEASure:HISTogram:MEAN]<value>[,<result\_state>]<NL>

<value> The mean of the histogram.

<result\_state> If SENDVALID is ON, the result state is returned with the measurement result. Refer to the MEASure:RESults command, for a list of the result states.

---

### Example

This example returns the mean of the current histogram and prints the result to the computer's screen.

```
10 OUTPUT 707;":SYSTEM:HEADER OFF"      !Response headers off
20 OUTPUT 707;":MEASURE:HISTOGRAM:MEAN? WMEMORY1"
30 ENTER 707;Histmean
40 PRINT Histmean
50 END
```

---

---

## HISTogram:MEDian?

**Query** :MEASure:HISTogram:MEDian? [<source>]

The :MEASure:HISTogram:MEDian? query returns the measurement of the median of the histogram.

<source> {WMEMory<number> | HISTogram}

<number> For waveform memories (WMEMory): 1,2,3, or 4.

**Returned Format** [:MEASure:HISTogram:MEDian]<value>[,<result\_state>]<NL>

<value> The median of the histogram.

<result\_state> If SENDVALID is ON, the result state is returned with the measurement result. Refer to the MEASure:RESults command, for a list of the result states.

---

### Example

This example returns the median of the current histogram and prints the result to the computer's screen.

```
10 OUTPUT 707;":SYSTEM:HEADER OFF"      !Response headers off
20 OUTPUT 707;":MEASURE:HISTOGRAM:MEDIAN? WMEMORY1"
30 ENTER 707;Histmed
40 PRINT Histmed
50 END
```

---

---

## HISTogram:MIN?

**Query**                   :MEASure:HISTogram:MIN? [<source>]

The :MEASure:HISTogram:MIN? query returns the measurement of the maximum value of the histogram.

<source> {WMEMemory<number> | HISTogram}

<number> For waveform memories (WMEMemory): 1,2,3, or 4.

**Returned Format**       [:MEASure:HISTogram:MIN]<value>[,<result\_state>]<NL>

<value> The minimum value of the histogram.

<result\_state> If SENDVALID is ON, the result state is returned with the measurement result. Refer to the MEASure:REsults command, for a list of the result states.

---

### Example

This example returns the minimum value of the current histogram and prints the result to the computer's screen.

```
10 OUTPUT 707;":SYSTEM:HEADER OFF"      !Response headers off
20 OUTPUT 707;":MEASURE:HISTOGRAM:MIN?"
30 ENTER 707;Histmin
40 PRINT Histmin
50 END
```

---

---

## HISTogram:PEAK?

**Query** :MEASure:HISTogram:PEAK? [<source>]

The :MEASure:HISTogram:PEAK? query returns the number of hits in the greatest peak of the histogram measurement.

<source> {WMEMory<number> | HISTogram}

<number> For waveform memories (WMEMory): 1,2,3, or 4.

**Returned Format** [:MEASure:HISTogram:PEAK]<value>[,<result\_state>]<NL>

<value> The number of hits in the histogram peak.

<result\_state> If SENDVALID is ON, the result state is returned with the measurement result. Refer to the MEASure:RESults command, for a list of the result states.

---

### Example

This example returns the number of hits in the greatest peak of the current histogram and prints the result to the computer's screen.

```
10 OUTPUT 707;":SYSTEM:HEADER OFF"      !Response headers off
20 OUTPUT 707;":MEASURE:HISTOGRAM:PEAK? WMEMORY1"
30 ENTER 707;Histpeak
40 PRINT Histpeak
50 END
```

---

---

## HISTogram:PP?

**Query**                   :MEASure:HISTogram:PP? [<source>]

The :MEASure:HISTogram:PP? query returns the measurement of the width of the histogram.

<source> {WMEMory<number> | HISTogram}

<number> For waveform memories (WMEMory): 1,2,3, or 4.

**Returned Format**       [:MEASure:HISTogram:PP]<value> [, <result\_state>]<NL>

<value> The width of the histogram.

<result\_state> If SENDVALID is ON, the result state is returned with the measurement result. Refer to the MEASure:REsults command, for a list of the result states.

---

### Example

This example returns the width of the current histogram and prints the result to the computer's screen.

```
10 OUTPUT 707;":SYSTEM:HEADER OFF"      !Response headers off
20 OUTPUT 707;":MEASURE:HISTOGRAM:PP? WMEMORY1"
30 ENTER 707;Histpp
40 PRINT Histpp
50 END
```

---



---

## HISTogram:STDDev?

The :MEASure:HISTogram:STDDev query returns the standard deviation of the histogram.

**Query** :MEASure:HISTogram:STDDev? [<source>]

The :MEASure:HISTogram:STDDev? query returns the measurement of standard deviation of the histogram.

**Returned Format** [:MEASure:HISTogram:STDDev]<value>[,<result\_state>]<NL>

<value> The standard deviation of the histogram.

<result\_state> If SENDVALID is ON, the result state is returned with the measurement result. Refer to the MEASure:REsults command, for a list of the result states.

---

### Example

This example returns the standard deviation of the histogram whose source is specified using the MEASure:SOURce command and prints the result to the computer's screen.

```
10 OUTPUT 707;" :SYSTEM:HEADER OFF"           !Response headers off
20 OUTPUT 707;" :MEASURE:HISTOGRAM:STDDEV? WMEMORY1"
30 ENTER 707;Histstd
40 PRINT Histstd
50 END
```

---

## HOLDtime

**This command is only available when the E2681A Jitter Analysis Software is installed.**

**Command**                   :MEASure:HOLDtime [<data\_source>,<data\_source\_dir>,  
                                 <clock\_source>,<clock\_source\_dir>]

The :MEASure:HOLDtime command measures the hold time between the specified clock and data sources.

<data\_source> {CHANnel<N> | FUNction<N> | WMEMory<N>}

<clock\_source> {CHANnel<N> | FUNction<N> | WMEMory<N>}

<N> is an integer, 1 - 4.

<data\_source\_dir> {RISing | FALLing | BOTH}

                  \_dir>       Selects the direction of the data source edge.

<clock\_source\_dir> {RISing | FALLing}

                  \_dir>       Selects the direction of the clock source edge.

---

**Example**                   This example measures the hold time from the rising edge of channel 1 to the rising edge of channel 2.

```
10  OUTPUT 707; ":MEASURE:HOLDTIME CHAN1,RIS,CHAN2,RIS"  
20  END
```

**Query**                   :MEASure:HOLDtime?  
                          [<data\_source>,<data\_source\_dir>,<clock\_source>,  
                          <clock\_ source\_dir>]

The :MEASure:HOLDtime? query returns the measured hold time between the specified clock and data source.

**Returned Format**       {:MEASure:SETuptime] <value><NL>  
                          <value> Hold time in seconds.

---

**Example**                This example places the current value of hold time in the numeric variable, Time, then prints the contents of the variable to the computer's screen.

```
10 OUTPUT 707;":SYSTEM:HEADER OFF"!Response headers off
20 OUTPUT 707;":MEASURE:HOLDTIME? CHAN1,RIS,CHAN2,RIS"
30 ENTER 707;Time
40 PRINT Time
50 END
```

---

**See Also**               Refer to the :MEASure:RESults? query for information on the results returned and how they are affected by the SENDvalid command. Refer to the individual measurements for information on how the result state is returned.

---

## JITTer:HISTogram

**This command is only available when the E2681A Jitter Analysis Software or the N5400A/N5401A Software is installed.**

**Command**                   :MEASure:JITTer:HISTogram {{ON|1} | {OFF|0}}

The :MEASure:JITTer:HISTogram command turns the measurement histogram display on or off when a jitter measurement is displayed.

---

**Example**                    This example turns the jitter measurement histogram display on.

```
10 OUTPUT 707;"MEASURE:JITTER:HISTOGRAM ON"  
20 END
```

---

**Query**                     :MEASure:JITTer:HISTogram?

The :MEASure:JITTer:HISTogram? query returns the state of measurement histogram display.

**Returned format**       [:MEASure:JITTer:HISTogram] {1 | 0}

---

**Example**                    This example places the current setting of the jitter spectrum mode in the variable Setting, then prints the contents of the variable to the computer's screen.

```
10 OUTPUT 707;"SYSTEM:HEADER OFF"  
20 OUTPUT 707;" :MEASURE:JITTER:HISTOGRAM?"  
30 ENTER 707;Setting  
40 PRINT Setting  
50 END
```

---

## JITTer:MEASurement

<p><b>This command is only available when the E2681A Jitter Analysis Software is installed.</b></p>
---

**Command**                   :MEASure:JITTer:MEASurement {MEASurement<N>}

The :MEASure:JITTer:MEASurement command selects which measurement displayed on the oscilloscope you are performing the jitter analysis on. MEASurement1 is the left-most measurement on the display.

<N> {1|2|3|4|5}

---

**Example**                   This example assigns measurement 2 to the jitter measurement analysis.

```
10 OUTPUT 707;":MEASURE:JITTER:MEASUREMENT MEASUREMENT2"
20 END
```

---

**Query**                   :MEASure:JITTer:MEASurement?

The :MEASure:JITTer:MEASurement? query returns the measurement number you are performing the jitter analysis on. If no measurements are being displayed on the oscilloscope, the query will return a null string.

**Returned format**       [:MEASure:JITTer:MEASurement MEASurement<N>]

---

**Example**                   This example places the current measurement number that you are performing jitter analysis on in the string variable Setting\$, then prints the contents of the variable to the computer's screen.

```
10 OUTPUT 707;"SYSTEM:HEADER OFF"
20 OUTPUT 707;":MEASURE:JITTER:MEASUREMENT?"
30 ENTER 707;Setting$
40 PRINT Setting$
50 END
```

---

## JITTer:SPECTrum

**This command is only available when the E2681A Jitter Analysis Software is installed.**

**Command**                   :MEASure:JITTer:SPECTrum {{ON|1} | {OFF|0}}

The :MEASure:JITTer:SPECTrum command turns the jitter spectrum display on or off when a jitter measurement is displayed.

---

**Example**                    This example turns the jitter measurement spectrum display on.

```
10 OUTPUT 707; ":JITTER:SPECTRUM ON"
20 END
```

**Query**                     :MEASure:JITTer:SPECTrum?

The :MEASure :JITTer:SPECTrum? query returns the state of jitter spectrum display.

**Returned format**       [:MEASure:JITTer:SPECTrum] {1 | 0}

---

**Example**                    This example places the current setting of the jitter spectrum mode in the variable Setting, then prints the contents of the variable to the computer's screen.

```
10 OUTPUT 707; "SYSTEM:HEADER OFF"
20 OUTPUT 707; ":MEASURE:JITTER:SPECTRUM?"
30 ENTER 707;Setting
40 PRINT Setting
50 END
```

---

## JITTER:SPECTRUM:HORIZONTAL

<p><b>This command is only available when the E2681A Jitter Analysis Software is installed.</b></p>
---

**Command**                   :MEASure:JITTer:SPECTrum:HORizontal {AUTO | MANual}

The :MEASure:JITTer:SPECTrum:HORizontal command sets the jitter spectrum horizontal mode to automatic or manual. In automatic mode, the oscilloscope automatically selects the horizontal scaling and center frequency. In manual mode, you can set your own horizontal scaling and center frequency values.

---

**Example**                   This example sets the jitter spectrum horizontal mode to automatic.

```
10 OUTPUT 707; ":MEASURE:JITTER:SPECTRUM:HORIZONTAL AUTO"
20 END
```

---

**Query**                     :MEASure:JITTer:SPECTrum:HORizontal?

The :MEASure:JITTer:SPECTrum:HORizontal? query returns the current jitter spectrum horizontal mode setting.

**Returned format**       [:MEASure:JITTer:SPECTrum:HORizontal] {AUTO | MANual}

---

**Example**                   This example places the current setting of the jitter trend horizontal mode in the string variable Setting\$, then prints the contents of the variable to the computer's screen.

```
10 OUTPUT 707; "SYSTEM:HEADER OFF"
20 OUTPUT 707; ":MEASURE:JITTER:SPECTRUM:HORIZONTAL?"
30 ENTER 707;Setting$
40 PRINT Setting$
50 END
```

---

---

## JITTer:SPECtrum:HORizontal:POSition

**This command is only available when the E2681A Jitter Analysis Software is installed.**

**Command** :MEASure:JITTer:SPECtrum:HORizontal:POSition  
<position>

The :MEASure:JITTer:SPECtrum:HORizontal:POSition command sets the jitter spectrum horizontal center frequency position.

<position> A real number for the center frequency position in Hertz.

---

**Example** This example sets the jitter spectrum horizontal center frequency position to 250 kHz.

```
10 OUTPUT 707; ":MEASURE:JITTER:SPECTRUM:HORIZONTAL:POSITION
250E3"
20 END
```

---

**Query** :MEASure:JITTer:SPECtrum:HORizontal:POSition?

The :MEASure:JITTer:SPECtrum:HORizontal:POSition? query returns the current jitter spectrum horizontal center frequency position setting.

**Returned format** [:MEASure:JITTer:SPECtrum:HORizontal:POSition] <value><NL>  
<value> The jitter spectrum horizontal center frequency setting.

---

**Example** This example places the current setting of the jitter trend horizontal center frequency position in the variable Value, then prints the contents of the variable to the computer's screen.

```
10 OUTPUT 707; "SYSTEM:HEADER OFF"
20 OUTPUT 707; ":MEASURE:JITTER:SPECTRUM:HORIZONTAL:POSITION?"
30 ENTER 707;Value
40 PRINT Value
50 END
```



---

## JITTer:SPECTrum:HORizontal:RANGe

**This command is only available when the E2681A Jitter Analysis Software is installed.**

**Command** :MEASure:JITTer:SPECTrum:HORizontal:RANGe <range>

The :MEASure:JITTer:SPECTrum:HORizontal:RANGe command sets the jitter spectrum horizontal range.

<range> A real number for the horizontal frequency range in Hertz.

---

**Example** This example sets the jitter spectrum horizontal range to 10 GHz (1 GHz/div).  
10 OUTPUT 707; ":MEASURE:JITTER:SPECTRUM:HORIZONTAL:RANGE 10E9"  
20 END

**Query** :MEASure:JITTer:SPECTrum:HORizontal:RANGe?

The :MEASure:JITTer:SPECTrum:HORizontal:RANGe? query returns the current jitter spectrum horizontal range setting.

**Returned format** [:MEASure:JITTer:SPECTrum:HORizontal:RANGe] <value><NL>

<value> The jitter spectrum horizontal range setting.

---

**Example** This example places the current setting of the jitter trend horizontal range in the variable Value, then prints the contents of the variable to the computer's screen.

```
10 OUTPUT 707; "SYSTEM:HEADER OFF"  
20 OUTPUT 707; ":MEASURE:JITTER:SPECTRUM:HORIZONTAL:RANGE?"  
30 ENTER 707;Value  
40 PRINT Value  
50 END
```

---

---

## JITTer:SPECtrum:VERTical

**This command is only available when the E2681A Jitter Analysis Software is installed.**

**Command**                   :MEASure:JITTer:SPECtrum:VERTical {AUTO | MANual}

The :MEASure:JITTer:SPECtrum:VERTical command sets the jitter spectrum vertical mode to automatic or manual. In automatic mode, the oscilloscope automatically selects the vertical scaling and offset. In manual mode, you can set your own vertical scaling and offset values.

---

**Example**                   This example sets the jitter spectrum vertical mode to automatic.

```
10 OUTPUT 707; ":MEASURE:JITTER:SPECTRUM:VERTICAL AUTO"  
20 END
```

---

**Query**                    :MEASure:JITTer:SPECtrum:VERTical?

The :MEASure:JITTer:SPECtrum:VERTical? query returns the current jitter spectrum vertical mode setting.

**Returned format**       [:MEASure:JITTer:SPECtrum:VERTical] {AUTO | MANual}

---

**Example**                   This example places the current setting of the jitter spectrum vertical mode in the string variable Setting\$, then prints the contents of the variable to the computer's screen.

```
10 OUTPUT 707; "SYSTEM:HEADER OFF"  
20 OUTPUT 707; ":MEASURE:JITTER:SPECTRUM:VERTICAL?"  
30 ENTER 707;Setting$  
40 PRINT Setting$  
50 END
```

---

---

## JITTer:SPECTrum:VERTical:OFFSet

**This command is only available when the E2681A Jitter Analysis Software is installed.**

**Command** :MEASure:JITTer:SPECTrum:VERTical:OFFSet <offset>

The :MEASure:JITTer:SPECTrum:VERTical:OFFSet command sets the jitter spectrum vertical offset.

<offset> A real number for the vertical offset of the jitter measurement spectrum.

---

### Example

This example sets the jitter spectrum vertical offset to 2 ns.

```
10 OUTPUT 707; ":MEASURE:JITTER:SPECTRUM:VERTICAL:OFFSET 10E-9"  
20 END
```

---

### Query

:MEASure:JITTer:SPECTrum:VERTical:OFFSet?

The :MEASure:JITTer:SPECTrum:VERTical:OFFSet? query returns the jitter spectrum vertical offset time.

---

### Returned format

[ :MEASure:JITTer:SPECTrum:VERTical:OFFSet ] <value>  
[ ,<result\_state> ]<NL>

<value> The jitter vertical spectrum offset time setting.

---

### Example

This example places the current value of jitter spectrum vertical offset in the numeric variable, Value, then prints the contents of the variable to the computer's screen.

```
10 OUTPUT 707; ":SYSTEM:HEADER OFF"!Response headers off  
20 OUTPUT 707; ":MEASURE:JITTER:SPECTRUM:VERTICAL:OFFSET?"  
30 ENTER 707;Value  
40 PRINT Value  
50 END
```

---

## JITTer:SPECtrum:VERTical:RANGe

**This command is only available when the E2681A Jitter Analysis Software is installed.**

**Command** :MEASure:JITTer:SPECtrum:VERTical:RANGe <range>

The :MEASure:JITTer:SPECtrum:VERTical:RANGe command sets the jitter spectrum vertical range.

<range> A real number for the full-scale vertical range for the jitter measurement spectrum.

---

**Example** This example sets the jitter spectrum vertical range to 4 ns (500 ps/div X 8 div).

```
10 OUTPUT 707; ":MEASURE:JITTER:SPECTRUM:VERTICAL:RANGE 4E-9"
20 END
```

---

**Query** :MEASure:JITTer:SPECtrum:VERTical:RANGe?

The :MEASure:JITTer:SPECtrum:VERTical:RANGe? query returns the jitter spectrum range time setting.

**Returned Format** [:MEASure:JITTer:SPECtrum:VERTical:RANGe] <value>  
[, <result\_state>] <NL>

<value> The jitter spectrum vertical range setting.

---

**Example** This example places the current value of jitter spectrum vertical range in the numeric variable, Value, then prints the contents of the variable to the computer's screen.

```
10 OUTPUT 707; ":SYSTEM:HEADER OFF"!Response headers off
20 OUTPUT 707; ":MEASURE:JITTER:SPECTRUM:VERTICAL:RANGE?"
30 ENTER 707;Value
40 PRINT Value
50 END
```

---

## JITTer:SPECtrum:WINDow

**This command is only available when the E2681A Jitter Analysis Software is installed.**

**Command**           :MEASure:JITTer:SPECtrum:WINDow {RECTangular |  
                      HANNing | FLATtop}

The :MEASure:JITTer:SPECtrum:WINDow command sets the jitter spectrum window mode to rectangular, Hanning, or flattop.

---

**Example**            This example sets the jitter spectrum window mode to Hanning.

```
10 OUTPUT 707; ":MEASURE:JITTER:SPECTRUM:WINDOW HANNING"  
20 END
```

---

**Query**             :MEASure:JITTer:SPECtrum:WINDow?

The :MEASure:JITTer:SPECtrum:WINDow? query returns the current jitter spectrum window mode setting.

**Returned format**   [:MEASure:JITTer:SPECtrum:WINDow] {RECTangular | HANNing |  
                      FLATtop}<NL>

---

**Example**            This example places the current setting of the jitter spectrum window mode in the string variable Setting\$, then prints the contents of the variable to the computer's screen.

```
10 OUTPUT 707; "SYSTEM:HEADER OFF"  
20 OUTPUT 707; ":MEASURE:JITTER:SPECTRUM:WINDOW?"  
30 ENTER 707;Setting$  
40 PRINT Setting$  
50 END
```

---

---

## JITTer:STATistics

**This command is only available when the E2681A Jitter Analysis Software is installed.**

**Command**                   :MEASure:JITTer:STATistics {{ON|1} | {OFF|0}}

The :MEASure:JITTer:STATistics command enables or disables jitter mode and allows you to view: measurement histogram (:MEASure:JITTer:HISTogram), measurement trend (:MEASure:JITTer:TREND), and jitter spectrum (:MEASure:JITTer:SPsECTrum) if they are enabled. It also turns on the ability to measure all edges in the waveform; not just the first edge on screen.

---

**Example**                   This example turns the jitter measurement statistics on.

```
10 OUTPUT 707;":JITTer:STATISTICS ON"  
20 END
```

---

**Query**                    :MEASure:JITTer:STATistics?

The :MEASure :JITTer:STATistics? query returns the state of jitter statistics.

**Returned format**       [:MEASure:JITTer:STATistics] {1 | 0}

---

**Example**                   This example places the current setting of the jitter statistics mode in the variable Setting, then prints the contents of the variable to the computer's screen.

```
10 OUTPUT 707;"SYSTEM:HEADER OFF"  
20 OUTPUT 707;":MEASURE:JITTER:STATISTICS?"  
30 ENTER 707;Setting  
40 PRINT Setting  
50 END
```

---

---

## JITter:TREND

<p><b>This command is only available when the E2681A Jitter Analysis Software is installed.</b></p>
---

**Command**                   :MEASure:JITTer:TREnd {{ON|1} | {OFF|0}}

The :MEASure:JITTer:TREnd command turns the jitter measurement trend display on or off. When on, trend plots measurement results time correlated to the waveform being measured.

---

**Example**                   This example turns the jitter measurement trend display on.

```
10 OUTPUT 707; ":MEASURE:JITTER:TREND ON"
20 END
```

---

**Query**                     :MEASure:JITTer:TREnd?

The :MEASure :JITTer:TREnd? query returns the state of jitter trend display.

**Returned format**       [:MEASure:JITTer:TREnd] {1 | 0}

---

**Example**                   This example places the current setting of the jitter trend mode in the string variable Setting\$, then prints the contents of the variable to the computer's screen.

```
10 OUTPUT 707; "SYSTEM:HEADER OFF"
20 OUTPUT 707; ":MEASURE:JITTER:TREND?"
30 ENTER 707;Setting$
40 PRINT Setting$
50 END
```

---

---

## JITTer:TREnd:SMOoth

**This command is only available when the E2681A Jitter Analysis Software is installed.**

**Command**                   :MEASure:JITTer:TREnd:SMOoth {{ON|1} | {OFF|0}}

The :MEASure:JITTer:TREnd:SMOoth command sets jitter trend smoothing to on or off. When on, smoothing creates a running average smoothed by the number of points set by the :JITTer:TREnd:SMOoth:POINts command.

---

**Example**                   This example sets the jitter trend smoothing mode to on..

```
10 OUTPUT 707; ":MEASURE:JITTER:TREND:SMOOTH ON"
20 END
```

---

**Query**                    :MEASure:JITTer:TREnd:SMOoth?

The :MEASure:JITTer:TREnd:SMOoth? query returns the current jitter trend smoothing mode setting.

**Returned format**       [:MEASure:JITTer:TREnd:SMOoth] {1 | 0}

---

**Example**                   This example places the current setting of the jitter trend smoothing mode in the string variable Setting\$, then prints the contents of the variable to the computer's screen.

```
10 OUTPUT 707; "SYSTEM:HEADER OFF"
20 OUTPUT 707; ":MEASURE:JITTER:TREND:SMOOTH?"
30 ENTER 707;Setting$
40 PRINT Setting$
50 END
```

---



---

## JITTer:TREND:SMOoth:POINts

**This command is only available when the E2681A Jitter Analysis Software is installed.**

**Command** :MEASure:JITTer:TREND:SMOoth:POINts <points>

The :MEASure:JITTer:TREnd:SMOoth:POINts command sets the number of points as a set size for the data smoothing feature.

<points> odd integers, 3 to 1001. If out of range, the number will be rounded to nearest lower odd integer.

---

**Example** This example sets the jitter trend smoothing points to 7.

```
10 OUTPUT 707; ":MEASURE:JITTER:TREND:SMOOTH:POINTS 7"  
20 END
```

---

**Query** :MEASure:JITTer:TREND:SMOoth:POINts?

The :MEASure:JITTer:TREnd:SMOoth:POINts? query returns the current setting for jitter trend smoothing points.

**Returned format** [:MEASure:JITTer:TREND:SMOoth:POINts] <value><NL>

<value> The jitter offset smoothing points setting.

---

**Example** This example places the current value of jitter trend smoothing points in the numeric variable, Value, then prints the contents of the variable to the computer's screen.

```
10 OUTPUT 707; ":SYSTEM:HEADER OFF"!Response headers off  
20 OUTPUT 707; ":MEASURE:JITTER:TREND:SMOOTH:POINTS?"  
30 ENTER 707;Value  
40 PRINT Value  
50 END
```

---

## JITTer:TREND:VERTical

**This command is only available when the E2681A Jitter Analysis Software is installed.**

**Command**                   :MEASure:JITTer:TREND:VERTical {AUTO | MANual}

The :MEASure:JITTer:TREND:VERTical command sets the jitter trend vertical mode to automatic or manual. In automatic mode, the oscilloscope automatically selects the vertical scaling and offset. In manual mode, you can set your own scaling and offset values.

---

**Example**                   This example sets the jitter trend vertical mode to automatic.

```
10 OUTPUT 707;":MEASURE:JITTer:TREND:VERTical AUTO"  
20 END
```

---

**Query**                    :MEASure:JITTer:TREND:VERTical?

The :MEASure:JITTer:TREND:VERTical? query returns the current jitter trend vertical mode setting.

**Returned format**       [:MEASure:JITTer:TREND:VERTical] {AUTO | MANual}

---

**Example**                   This example places the current setting of the jitter trend vertical mode in the string variable Setting\$, then prints the contents of the variable to the computer's screen.

```
10 OUTPUT 707;"SYSTEM:HEADER OFF"  
20 OUTPUT 707;":MEASURE:JITTer:TREND:VERTICAL?"  
30 ENTER 707;Setting$  
40 PRINT Setting$  
50 END
```

---

---

## JITTer:TREND:VERTical:OFFSet

**This command is only available when the E2681A Jitter Analysis Software is installed.**

**Command** :MEASure:JITTer:TREND:VERTical:OFFSet <offset>

The :MEASure:JITTer:TREND:VERTical:OFFSet command sets the jitter trend vertical offset.

<offset> A real number for the vertical offset for the jitter measurement trend.

---

### Example

This example sets the jitter trend vertical offset to 100 ps.

```
10 OUTPUT 707; ":MEASURE:JITTER:TREND:VERTICAL:OFFSET 100E-12"  
20 END
```

---

### Query

:MEASure:JITTer:TREND:VERTical:OFFSet?

The :MEASure:JITTer:TREND:VERTical:OFFSet? query returns the jitter trend vertical offset setting.

---

### Returned format

[ :MEASure:JITTer:TREND:VERTical:OFFSet ] <value><NL>

<value> The jitter vertical trend offset setting.

---

### Example

This example places the current value of jitter trend vertical offset in the numeric variable, Value, then prints the contents of the variable to the computer's screen.

```
10 OUTPUT 707; ":SYSTEM:HEADER OFF"!Response headers off  
20 OUTPUT 707; ":MEASURE:JITTER:TREND:VERTICAL:OFFSET?"  
30 ENTER 707;Value  
40 PRINT Value  
50 END
```

---

## JITTer:TREND:VERTical:RANGe

**This command is only available when the E2681A Jitter Analysis Software is installed.**

**Command** :MEASure:JITTer:TREND:VERTical:RANGe <range>

The :MEASure:JITTer:TREND:VERTical:RANGe command sets the jitter trend vertical range.

<range> A real number for the full-scale vertical range for the jitter measurement trend.

---

**Example** This example sets the jitter trend vertical range to 4 ns (500 ps/div X 8 div).

```
10 OUTPUT 707; ":MEASURE:JITTER:TREND:VERTICAL:RANGE 4E-9"
20 END
```

**Query** :MEASure:JITTer:TREND:VERTical:RANGe?

The :MEASure:JITTer:TREND:VERTical:RANGe? query returns the jitter trend vertical range setting.

**Returned Format** [:MEASure:JITTer:TREND:VERTical:RANGe] <value><NL>

<value> The jitter trend vertical range setting.

<result\_state> If SENDvalid is ON, the result state is returned with the measurement result. See the :MEASure:RESults table in this chapter for a list of the result states.

---

**Example** This example places the current value of jitter trend vertical range in the numeric variable, Value, then prints the contents of the variable to the computer's screen.

```
10 OUTPUT 707; ":SYSTEM:HEADER OFF"!Response headers off
20 OUTPUT 707; ":MEASURE:JITTER:TREND:VERTICAL:RANGE?"
30 ENTER 707;Value
40 PRINT Value
50 END
```

---

## NCJitter

<p><b>This command is only available when the E2681A Jitter Analysis Software is installed.</b></p>
---

**Command**                   :MEASure:NCJitter <source>,<direction>,<n>,<start>

The :MEASure:NCJitter command measures the N cycle jitter of the waveform.

<source> {CHANnel<N> | FUNction<N> | WMEMory<N>}

<N> CHANnel<N> is an integer, 1 - 4.

FUNction<N> and WMEMory<N> are:

    An integer, 1 - 4, representing the selected function or waveform memory.

<direction> {RISing | FALLing}, specifies direction of waveform edge to make measurement.

<n> An integer, 1 to 99, the number of cycles in a group.

<start> An integer, 1 to <n> - 1, typically 1, the cycle to start measuring.

---

### Example

This example measures the N cycle jitter on channel 1, rising edge, 5 cycles in a group, starting on the first cycle of the waveform.

```
10  OUTPUT 707; ":MEASURE:NCJITTER CHANNEL1,RISING,5,1"
20  END
```

## Measure Commands

### NCJitter

**Query** `:MEASure:NCJitter? <source>, <direction>, <n>, <start>`

The `:MEASure:NCJitter?` query returns the measured N cycle jitter time of the waveform.

**Returned Format** `[ :MEASure:NCJitter] <value>[, <result_state>]<NL>`

`<value>` The N cycle jitter time of the waveform.

`<result_state>` If `SENDvalid` is ON, the result state is returned with the measurement result. See the `:MEASure:RESults` table in this chapter for a list of the result states.

---

### Example

This example places the current value of N cycle jitter in the numeric variable, `Value`, then prints the contents of the variable to the computer's screen.

```
10 OUTPUT 707; ":SYSTEM:HEADER OFF"!Response headers off
20 OUTPUT 707; ":MEASURE:NCJITTER? CHANNEL1,RIS,5,1"
30 ENTER 707;Value
40 PRINT Value
50 END
```

---

---

## NWIDth

**Command**           :MEASure:NWIDth [<source>]

The :MEASure:NWIDth command measures the width of the first negative pulse on the screen using the mid-threshold levels of the waveform (50% levels with standard threshold selected). Sources are specified with the :MEASure:SOURce command or with the optional parameter following the :MEASure:NWIDth command.

The algorithm is:

    If the first edge on the screen is rising,  
    then

        nwidth = time at the second rising edge – time at the first falling edge

    else

        nwidth = time at the first rising edge – time at the first falling edge.

<source> {CHANnel<N> | FUNCtion<N> | WMEMory<N>}

<N> is an integer, 1 - 4.

---

**Example**

This example measures the width of the first negative pulse on the screen.

```
10 OUTPUT 707; " :MEASURE:NWIDTH CHANNEL1 "
20 END
```

---

## Measure Commands

### NWIDth

**Query** `:MEASure:NWIDth? [<source>]`

The `:MEASure:NWIDth?` query returns the measured width of the first negative pulse of the specified source.

**Returned Format** `[ :MEASure:NWIDth] <value> [, <result_state>] <NL>`

`<value>` The width of the first negative pulse on the screen using the mid-threshold levels of the waveform.

`<result_state>` If `SENDvalid` is ON, the result state is returned with the measurement result. See the `:MEASure:RESults` table in this chapter for a list of the result states.

---

### Example

This example places the current width of the first negative pulse on the screen in the numeric variable, `Width`, then prints the contents of the variable to the computer's screen.

```
10 OUTPUT 707; ":SYSTEM:HEADER OFF"!Response headers off
20 OUTPUT 707; ":MEASURE:NWIDTH? CHANNEL1"
30 ENTER 707;Width
40 PRINT Width
50 END
```

---



---

## OVERshoot

**Command**           :MEASure:OVERshoot [<source>]

The :MEASure:OVERshoot command measures the overshoot of the first edge on the screen. Sources are specified with the :MEASure:SOURce command or with the optional parameter following the :MEASure:OVERshoot command.

The algorithm is:

```

    If the first edge on the screen is rising,
    then
        overshoot = (Local Vmax – Vtop) / Vamplitude
    else
        overshoot = (Vbase – Local Vmin) / Vamplitude.

```

<source> {CHANnel<N> | FUNction<N> | WMEMory<N>}

<N> is an integer, 1 - 4.

---

**Example**           This example measures the overshoot of the first edge on the screen.

```

10  OUTPUT 707; " :MEASURE:OVERSHOOT CHANNEL1 "
20  END

```

---

## Measure Commands

### OVERshoot

**Query** `:MEASure:OVERshoot? [<source>]`

The `:MEASure:OVERshoot?` query returns the measured overshoot of the specified source.

**Returned Format** `[ :MEASure:OVERshoot] <value> [, <result_state>] <NL>`

`<value>` Ratio of overshoot to amplitude, in percent.

`<result_state>` If `SENDvalid` is ON, the result state is returned with the measurement result. See the `:MEASure:RESults` table in this chapter for a list of the result states.

---

#### Example

This example places the current value of overshoot in the numeric variable, `Value`, then prints the contents of the variable to the computer's screen.

```
10 OUTPUT 707; ":SYSTEM:HEADER OFF"!Response headers off
20 OUTPUT 707; ":MEASURE:OVERSHOOT? CHANNEL1"
30 ENTER 707;Value
40 PRINT Value
50 END
```

---

---

## PERiod

**Command**           :MEASure:PERiod [<source>],<direction>

**The <direction> parameter is only available when the E2681A Jitter Analysis Software is installed. When <direction> is specified, the <source> parameter is required.**

The :MEASure:PERiod command measures the period of the first complete cycle on the screen using the mid-threshold levels of the waveform (50% levels with standard measurements selected). The source is specified with the :MEASure:SOURce command or with the optional parameter following the :MEASure:PERiod command.

The algorithm is:

If the first edge on the screen is rising,  
then

period = time at the second rising edge – time at the first rising edge

else

period = time at the second falling edge – time at the first falling edge.

<source> {CHANnel<N> | FUNction<N> | WMEMory<N>}

<N> is an integer, 1 - 4.

<direction> {RISing | FALLing}

Specifies direction of edge to start measurement.

---

### Example

This example measures the period of the waveform.

```
10 OUTPUT 707; ":MEASURE:PERIOD CHANNEL1"
20 END
```

---

## Measure Commands

### PERiod

**Query** `:MEASure:PERiod? [<source>], <direction>`

The `:MEASure:PERiod?` query returns the measured period of the specified source.

**Returned Format** `[:MEASure:PERiod] <value>[, <result_state>]<NL>`

`<value>` Period of the first complete cycle on the screen.

`<result_state>` If `SENDvalid` is ON, the result state is returned with the measurement result. See the `:MEASure:RESults` table in this chapter for a list of the result states.

---

### Example

This example places the current period of the waveform in the numeric variable, `Value`, then prints the contents of the variable to the computer's screen.

```
10 OUTPUT 707; ":SYSTEM:HEADER OFF"!Response headers off
20 OUTPUT 707; ":MEASURE:PERIOD? CHANNEL1"
30 ENTER 707;Value
40 PRINT Value
50 END
```

---

---

## PHASe

**Command**           :MEASure:PHASe [<source>[,<source>[,<direction>]]]

<p><b>The &lt;direction&gt; parameter is only available when the E2681A Jitter Analysis Software is installed.</b></p>
--

The :MEASure:PHASe command measures the phase in degrees between two edges. If two sources are specified, the phase from the specified edge of the first source to the specified edge of the second source is measured. If one source is specified, the phase is always 0.0E0.00°.

<source> {CHANnel<N> | FUNCTion<N> | WMEMory<N>}

<N> is an integer, 1-4.

<direction> {RISing | FALLing}

Specifies direction of edge to measure.

---

### Example

This example measures the phase between channel 1 and channel 2.

```
10 OUTPUT 707; ":MEASURE:PHASE CHANNEL1,CHANNEL2"
20 END
```

## Measure Commands

### PHASe

**Query** `:MEASure:PHASe? [<source>[,<source>[,<direction>]]]`

The :MEASure:PHASe? query returns the measured phase angle value.

The necessary waveform edges must be present on the display. The query will return 9.99999E+37 if the necessary edges are not displayed.

**Returned Format** `[:MEASure:PHASe] <value>[,result_state]<NL>`

<value> Phase angle from the first edge on the first source to the first edge edge on the second source.

<result\_state> If SENDvalid is ON, the result state is returned with the measurement result. See the :MEASure:RESults table in this chapter for a list of the result states.

---

### Example

This example places the current phase angle value between channel 1 and channel 2 in the variable, Value, then prints the contents of the variable to the computer's screen.

```
10 OUTPUT 707;":SYSTEM:HEADER OFF"!Response headers off
20 OUTPUT 707;":MEASURE:PHASE? CHANNEL1,CHANNEL2"
30 ENTER 707;Value
40 PRINT Value
50 END
```

---

---

## PREShoot

**Command**            :MEASure:PREShoot [<source>]

The :MEASure:PREShoot command measures the preshoot of the first edge on the screen. Sources are specified with the :MEASure:SOURce command or with the optional parameter following the :MEASure:PREShoot command.

The algorithm is:

```

    If the first edge on the screen is rising,
    then
        preshoot = (Vbase - Local Vmin) / Vamplitude
    else
        preshoot = (Local Vmax - Vtop) / Vamplitude.

```

<source> {CHANnel<N> | FUNction<N> | WMEMory<N>}

<N> is an integer, 1 - 4.

---

### Example

This example measures the preshoot of the waveform on the screen.

```

10  OUTPUT 707; " :MEASURE:PRESHOOT CHANNEL1 "
20  END

```

---

## Measure Commands

### PREShoot

**Query** `:MEASure:PREShoot? [<source>]`

The `:MEASure:PREShoot?` query returns the measured preshoot of the specified source.

**Returned Format** `[:MEASure:PREShoot] <value>[,<result state>]<NL>`

`<value>` Ratio of preshoot to amplitude, in percent.

`<result_state>` If `SENDvalid` is ON, the result state is returned with the measurement result. See the `:MEASure:RESults` table in this chapter for a list of the result states.

---

#### Example

This example places the current value of preshoot in the numeric variable, `Preshoot`, then prints the contents of the variable to the computer's screen.

```
10 OUTPUT 707;":SYSTEM:HEADER OFF"!Response headers off
20 OUTPUT 707;":MEASURE:PRESHOOT? CHANNEL1"
30 ENTER 707;Preshoot
40 PRINT Preshoot
50 END
```

---



---

## PWIDth

**Command**           :MEASure:PWIDth [<source>]

The :MEASure:PWIDth command measures the width of the first positive pulse on the screen using the mid-threshold levels of the waveform (50% levels with standard measurements selected). Sources are specified with the :MEASure:SOURce command or with the optional parameter following the :MEASure:PWIDth command.

The algorithm is:

    If the first edge on the screen is rising,  
    then

        pwidth = time at the first falling edge – time at the first rising edge

    else

        pwidth = time at the second falling edge – time at the first rising edge.

<source> {CHANnel<N> | FUNCtion<N> | WMEMory<N>}

<N> is an integer, 1 - 4.

---

### Example

This example measures the width of the first positive pulse on the screen.

```
10  OUTPUT 707; " :MEASURE:PWIDTh CHANNEL1 "
20  END
```

---

## Measure Commands

### PWIDth

**Query** `:MEASure:PWIDth? [<source>]`

The `:MEASure:PWIDth?` query returns the measured width of the first positive pulse of the specified source.

**Returned Format** `[ :MEASure:PWIDth] <value> [, <result_state>] <NL>`

`<value>` Width of the first positive pulse on the screen in seconds.

`<result_state>` If `SENDvalid` is ON, the result state is returned with the measurement result. See the `:MEASure:RESults` table in this chapter for a list of the result states.

---

### Example

This example places the value of the width of the first positive pulse on the screen in the numeric variable, `Width`, then prints the contents of the variable to the computer's screen.

```
10 OUTPUT 707; ":SYSTEM:HEADER OFF"!Response headers off
20 OUTPUT 707; ":MEASURE:PWIDTh? CHANNEL1"
30 ENTER 707;Width
40 PRINT Width
50 END
```

---

---

## QUALifier<M>:CONDition

**Command**           :MEASure:QUALifier<M>:CONDition {HIGH | LOW |  
 INSide | OUTSide}

The :MEASure:QUALifier<M>:CONDition

The :MEASure:QUALifier<M>:CONDition command sets the condition when valid timing measurements are made

- Above Middle Threshold (HIGH)
- Below Middle Threshold (LOW)
- Between Upper, Lower Thresholds (INSide)
- Not Between Thresholds (OUTSide)

<M> An integer, 1-3.

---

**Example**           This example sets the level qualifier 2 condition to HIGH.

```
10  OUTPUT 707; ":MEASURE:QUALIFIER2:CONDITION HIGH"
20  END
```

---

**Query**             :MEASure:QUALifier<M>:CONDition?

The :MEASure:QUALifier<M>:CONDition? query returns the condition being used of the level qualifier.

**Returned Format**   [:MEASure:QUALifier<M>:CONDition] <source><NL>

---

**Example**           This example places the current condition of level qualifier for timing measurements in the source variable and displays it on the computer's screen.

```
10  OUTPUT 707; ":SYSTEM:HEADER OFF"!Response headers off
20  OUTPUT 707; ":MEASURE:QUALIFIER2:CONDition?"
30  ENTER 707;Source
40  PRINT Source
50  END
```

---

---

## QUALifier<M>:SOURce

**The channel being selected must not be used to make a timing measurement and must be turned on.**

**Command** :MEASure:QUALifier<M>:SOURce <source>

The :MEASure:QUALifier<M>:SOURce command sets the source of the level qualify for timing measurements.

<source> CHANnel<N>  
<N> An integer, 1- 4.  
<M> An integer, 1-3.

---

**Example** This example sets the level qualifier 2 source to the channel 1 waveform.

```
10 OUTPUT 707; ":MEASURE:QUALIFIER2:SOURce CHANNEL1"  
20 END
```

---

**Query** :MEASure:QUALifier<M>:SOURce?

The :MEASure:QUALifier<M>:SOURce? query returns the source being used of the level qualifier for timing measurements.

**Returned Format** [:MEASure:QUALifier<M>:SOURce] <source><NL>

---

**Example** This example places the current source of level qualifier for timing measurements in the source variable and displays it on the computer's screen.

```
10 OUTPUT 707; ":SYSTEM:HEADER OFF"!Response headers off  
20 OUTPUT 707; ":MEASURE:QUALIFIER2:SOURce?"  
30 ENTER 707;Source  
40 PRINT Source  
50 END
```

---

---

## QUALifier<M>:STATe

**Command**                   :MEASure:QUALifier<M>:STATe {{ON | 1} | {OFF | 0}}

The :MEASure:QUALifier<M>:STATe command enables or disables level qualifying for timing measurements.

<M> An integer, 1-3.

---

**Example**                   This example sets the level qualifier 2 state to ON.

```
10 OUTPUT 707;":MEASURE:QUALIFIER2:STATE ON"
20 END
```

---

**Query**                     :MEASure:QUALifier<M>:STATe?

The :MEASure:QUALifier<M>:STATe? query returns the state of the level qualifier for timing measurements.

**Returned Format**       [:MEASure:QUALifier<M>:SOURCE] {1 | 0}<NL>

---

**Example**                   This example places the current state of the level qualifier for timing measurements in the state variable and displays it on the computer's screen.

```
10 OUTPUT 707;":SYSTEM:HEADER OFF"!Response headers off
20 OUTPUT 707;":MEASURE:QUALIFIER2:STATE?"
30 ENTER 707;state
40 PRINT state
50 END
```

---

---

## REsults?

**Query** `:MEASure:REsults?`

The `:MEASure:REsults?` query returns the results of the continuously displayed measurements. The response to the `MEASure:REsults?` query is a list of comma-separated values.

The measurement results always include the current results of the measurements. If `SENDvalid` is ON, the results state is returned immediately following the measurement result.

If more than one measurement is running continuously, the values in the `:MEASure:REsults` returned are duplicated for each continuous measurement from the first to last (left to right) result displayed. Each result returned is separated from the previous result by a comma. There is a maximum of five continuous measurements that can be continuously displayed at a time.

**Returned Format** `[ :MEASure:REsults] <result_list><NL>`

`<result_list>` A list of the measurement results separated with commas. The following shows the order of values received for a single measurement.

Measurement label	current	result state	min	max	mean	std dev	# of meas
-------------------	---------	--------------	-----	-----	------	---------	-----------

Min, max, mean, std dev, and # of meas are only returned if the `:MEASure:STATistics` is ON. The result state is only returned if `:MEASure:SENDvalid` is ON. See Table 24-2 for the meaning of the result state codes.

---

### Example

This example places the current results of the measurements in the string variable, `Result$`, then prints the contents of the variable to the computer's screen.

```
10 DIM Result$[500]!Dimension variable
20 OUTPUT 707;" :MEASURE:RESULTS?"
30 ENTER 707;Result$
40 PRINT Result$
50 END
```

Table 24-2

Result States	
Code	Description
0	Result correct. No problem found.
1	Result questionable but could be measured.
2	Result less than or equal to value returned.
3	Result greater than or equal to value returned.
4	Result returned is invalid.
5	Result invalid. Required edge not found.
6	Result invalid. Max not found.
7	Result invalid. Min not found.
8	Result invalid. Requested time not found.
9	Result invalid. Requested voltage not found.
10	Result invalid. Top and base are equal.
11	Result invalid. Measurement zone too small.
12	Result invalid. Lower threshold not on waveform.
13	Result invalid. Upper threshold not on waveform.
14	Result invalid. Upper and lower thresholds are too close.
15	Result invalid. Top not on waveform.
16	Result invalid. Base not on waveform.
17	Result invalid. Completion criteria not reached.
18	Result invalid. Measurement invalid for this type of waveform.
19	Result invalid. waveform is not displayed.
20	Result invalid. Waveform is clipped high.
21	Result invalid. Waveform is clipped low.
22	Result invalid. Waveform is clipped high and low.
23	Result invalid. Data contains all holes.
24	Result invalid. No data on screen.
29	Result invalid. FFT peak not found.
30	Result invalid. Eye pattern not found.
31	Result invalid. No NRZ eye pattern found.
33	Result invalid. There is more than one source on creating the database.
35	Signal may be too small to evaluate.

## Measure Commands

### RESults?

- 36 **Result invalid. Awaiting completion of averaging.**
- 39 **Result invalid. Need jitter package to make this measurement or must be in jitter mode to make this measurement.**
- 40 **Current measurement is not on screen.**
- 41 **Not enough points available to recover the clock.**
- 42 **The loop bandwidth of the PLL is too high to recover the clock.**
- 43 **RJDJ pattern not found in data.**
- 45 **Clock recovery mode is not permitted.**
- 46 **Too much jitter to make a RJDJ separation.**



---

## RISetime

**Command** :MEASure:RISetime [<source>]

The :MEASure:RISetime command measures the rise time of the first displayed edge by measuring the time at the lower threshold of the rising edge, measuring the time at the upper threshold of the rising edge, then calculating the rise time with the following algorithm:

Rise time = time at upper threshold point – time at lower threshold point.

To make this measurement requires 4 or more sample points on the rising edge of the waveform.

Sources are specified with the :MEASure:SOURce command or with the optional parameter following the RISetime command. With standard thresholds selected, the lower threshold is at the 10% point and the upper threshold is at the 90% point on the rising edge.

<source> {CHANnel<N> | FUNction<N> | WMEMory<N>}

<N> is an integer, 1 - 4.

---

### Example

This example measures the rise time of the channel 1 waveform.

```
10 OUTPUT 707; ":MEASURE:RISETIME CHANNEL1"
20 END
```

## Measure Commands

### RISetime

**Query** `:MEASure:RISetime? [<source>]`

The `:MEASure:RISetime?` query returns the rise time of the specified source.

**Returned Format** `[ :MEASure:RISetime] <value>[, <result_state>]<NL>`

`<value>` Rise time in seconds.

`<result_state>` If `SENDvalid` is ON, the result state is returned with the measurement result. See the `:MEASure:RESults` table in this chapter for a list of the result states.

---

#### Example

This example places the current value of rise time in the numeric variable, `Rise`, then prints the contents of the variable to the computer's screen.

```
10 OUTPUT 707; ":SYSTEM:HEADER OFF"!Response headers off
20 OUTPUT 707; ":MEASURE:RISETIME? CHANNEL1"
30 ENTER 707;Rise
40 PRINT Rise
50 END
```

---

---

## SCRatch

**Command**            :MEASure:{SCRatch | CLear}

The :MEASure:SCRatch command clears the measurement results from the screen. This command performs the same function as :MEASure:CLear.

---

**Example**            This example clears the current measurement results from the screen.

```
10 OUTPUT 707; " :MEASURE:SCRATCH"  
20 END
```

---

---

## SENDvalid

**Command**                   :MEASure:SENDvalid {{OFF|0} | {ON|1}}

The :MEASure:SENDvalid command enables the result state code to be returned with the :MEASure:RESults? query and all other measurement queries.

---

**Example**                   This example turns the send valid function on.

```
10  OUTPUT 707; ":MEASURE:SENDVALID ON"
20  END
```

---

**Query**                    :MEASure:SENDvalid?

The :MEASure:SENDvalid? query returns the state of the send valid control.

**Returned Format**       {:MEASure:SENDvalid] {0 | 1}<NL>

---

**Example**                   This example places the current mode for SENDvalid in the string variable, Mode\$, then prints the contents of the variable to the computer's screen.

```
10  DIM Mode$[50]!Dimension variable
20  OUTPUT 707; ":MEASURE:SENDVALID?"
30  ENTER 707;Mode$
40  PRINT Mode$
50  END
```

---

**See Also**               Refer to the :MEASure:RESults? query for information on the results returned and how they are affected by the SENDvalid command. Refer to the individual measurements for information on how the result state is returned.

---

## SETuptime

<p><b>This command is only available when the E2681A Jitter Analysis Software is installed.</b></p>
---

**Command**                   :MEASure:SETuptime  
                               [<data\_source>,<data\_source\_dir>,<clock\_source>,  
                               <clock\_ source\_dir>]

The :MEASure:SETuptime command measures the setup time between the specified clock and data source.

<data\_source> {CHANnel<N> | FUNction<N> | WMEMory<N>}  
 <clock\_source> {CHANnel<N> | FUNction<N> | WMEMory<N>}  
                   <N> is an integer, 1 - 4.  
 <data\_source  
   \_dir>        {RISing | FALLing | BOTH}  
                   Selects the direction of the data source edge. BOTH selects both edges to be  
                   measured.  
 <clock\_source  
   \_dir>        {RISing | FALLing}  
                   Selects the direction of the clock source edge.

---

**Example**                   This example measures the setup time from the rising edge of channel 1 to the  
                               rising edge of channel 2.

```
10  OUTPUT 707; ":MEASURE:SETUPTIME CHAN1,RIS,CHAN2,RIS"
20  END
```

## Measure Commands

### SETuptime

**Query**                   :MEASure:SETuptime?  
[<data\_source>,<data\_source\_dir>,<clock\_source>,  
<clock\_ source\_dir>]

The :MEASure:SETuptime query returns the measured setup time between the specified clock and data source.

**Returned Format**       {:MEASure:SETuptime] <value><NL>  
<value> Setup time in seconds.

---

**Example**               This example places the current value of setup time in the numeric variable,Time, then prints the contents of the variable to the computer's screen.

```
10 OUTPUT 707;":SYSTEM:HEADER OFF"!Response headers off
20 OUTPUT 707;":MEASURE:SETUPTIME? CHAN1,RIS,CHAN2,RIS"
30 ENTER 707;Time
40 PRINT Time
50 END
```

---

---

## SLEWrate

<p><b>This command is only available when the E2681A Jitter Analysis Software is installed.</b></p>
---

**Command** :MEASure:SLEWrate [<data\_source>]

The :MEASure:SLEWrate command measures the slew rate of the specified data source.

<data\_source> {CHANnel<N> | FUNCTION<N> | WMEMory<N>}  
<N> is an integer, 1 - 4.

---

**Example** This example measures the slew rate of channel 1.

```
10 OUTPUT 707; ":MEASURE:SLEWRATE CHAN1"
20 END
```

---

**Query** :MEASure:SLEWrate? [<data\_source>]

The :MEASure:SLEWrate? query returns the measured slew rate for the specified source.

**Returned Format** { :MEASure:SLEWrate] <value><NL>

<value> Slew rate in volts per second.

---

**Example** This example places the channel 1 value of slew rate in the numeric variable, Time, then prints the contents of the variable to the computer's screen.

```
10 OUTPUT 707; ":SYSTEM:HEADER OFF"!Response headers off
20 OUTPUT 707; ":MEASURE:SLEWRATE? CHAN1"
30 ENTER 707;Time
40 PRINT Time
50 END
```

---

## SOURce

**Command**           :MEASure:SOURCE {<source> [, <source> ] }

The :MEASure:SOURCE command selects the source for measurements. You can specify one or two sources with this command. All measurements except :MEASure:SETUptime, MEASure:HOLDtime, and :MEASure:DELtatime are made on the first specified source. The delta time measurement uses two sources if two are specified.

<source> {CHANnel<N> | FUNCTION<N> | WMEMory<N>}

<N> is an integer, 1 - 4.

---

**Example**           This example selects channel 1 as the source for measurements.

```
10 OUTPUT 707; " :MEASURE:SOURCE CHANNEL1 "  
20 END
```

---

**Query**             :MEASure:SOURCE?

The :MEASure:SOURCE? query returns the current source selection.

**Returned Format**   [:MEASure:SOURCE] <source> [, <source> ] <NL>

---

**Example**           This example places the currently specified sources in the string variable, Source\$, then prints the contents of the variable to the computer's screen.

```
10 DIM Source$[50]!Dimension variable  
20 OUTPUT 707; " :MEASURE:SOURCE? "  
30 ENTER 707;Source$  
40 PRINT Source$  
50 END
```

---



---

## STATISTICS

**Command**           :MEASure:STATistics {{ON | 1} | CURRent | MAXimum | MEAN | MINimum | STDDev}}

The :MEASure:STATistics command determines the type of information returned by the :MEASURE:RESults? query. ON means all the statistics are on..

---

**Example**           This example turns all the statistics function on.

```
10 OUTPUT 707; ":MEASURE:STATISTICS ON"
20 END
```

---

**Query**               :MEASure:STATistics?

The :MEASure:STATistics? query returns the current statistics mode.

**Returned Format**   [:MEASure:STATistics] {ON | CURRent | MAXimum |MEAN |MINimum | STDDev}<NL>

---

**Example**           This example places the current mode for statistics in the string variable, Mode\$, then prints the contents of the variable to the computer's screen.

```
10 DIM Mode$[50]!Dimension variable
20 OUTPUT 707; ":MEASURE:STATISTICS?"
30 ENTER 707;Mode$
40 PRINT Mode$
50 END
```

---

**See Also**           Refer to the :MEASure:RESults? query for information on the result returned and how it is affected by the STATISTICS command.

---

## TEDGe

**Command**           :MEASure:TEDGe <meas\_thres\_txt>,  
                          [<slope>]<occurrence> [, <source>]

The :MEASure:TEDGe command measures the time interval between the trigger event and the specified edge (threshold level, slope, and transition). Sources are specified with the :MEASure:SOURce command or with the optional parameter following the :MEASure:TEDGe command.

<meas\_thres  
\_txt>   UPPer, MIDDLE, or LOWer to identify the threshold.

<slope> { - (minus) for falling | + (plus) for rising | <none> (the slope is optional; if no slope is specified, + (plus) is assumed) }

<occurrence> An integer value representing the edge of the occurrence. The desired edge must be present on the display. Edges are counted with 1 being the first edge from the left on the display, and a maximum value of 65534.

<source> {CHANnel<N> | FUNction<N> | WMEMory<N>}

<N> is an integer, 1 - 4.

**Query**                   :MEASure:TEDGe? <meas\_thres\_txt>,  
                          <slope><occurrence> [,<source>]

The :MEASure:TEDGe? query returns the time interval between the trigger event and the specified edge (threshold level, slope, and transition).

**Returned Format**       [:MEASure:TEDGe] <time>[,<result\_state>]<NL>

<time>           The time interval between the trigger event and the specified voltage level and transition.

<result\_state>   If SENDvalid is ON, the result state is returned with the measurement result. See the :MEASure:RESults table in this chapter for a list of the result states.

---

**Example**

This example returns the time interval between the trigger event and the 90% threshold on the second rising edge of the source waveform to the numeric variable, Time. The contents of the variable are then printed to the computer's screen.

```
10  OUTPUT 707;":SYSTEM:HEADER OFF"!Response headers off
20  OUTPUT 707;":MEASURE:TEDGE? UPPER,+2,CHANNEL1"
30  ENTER 707;Time
40  PRINT Time
50  END
```

---

**Turn Off Headers**

**When receiving numeric data into numeric variables, turn off the headers. Otherwise, the headers may cause misinterpretation of returned data.**

---

## TIEClock2

**This command is only available when the E2681A Jitter Analysis Software is installed.**

### Command

```
:MEASure:TIEClock2 <source>, {SECOnd |  
UNITinterval}, <direction>, {AUTO |  
CUSTOM, <frequency> |  
VARIable, <frequency>, <bandwidth> | CLOCk}
```

The :MEASure:TIEClock2 command measures time interval error on a clock. You can set the units of the measurement by selecting SECOnd (seconds) or UNITinterval. If AUTO is selected, the oscilloscope selects the ideal constant clock frequency. If CUSTOM is selected, you can enter your own ideal clock frequency. If VARIable is selected, a first order PLL clock recovery is used at the give clock frequency and loop bandwidth. If CLOCk is given, clock recovery is specified with the :MEASure:CLOCK:METHOD command is used.

<source> {CHANnel<N> | FUNCTion<N> | WMEMory<N>}

<N> is an integer, 1 - 4.

<direction> {RISing | FALLing | BOTH}

Specifies direction of clock edge. BOTH selects the first edge from the left-hand side of the waveform viewing area.

<frequency> A real number for the ideal clock frequency for the clock time interval error.

<bandwidth> A real number for the loop bandwidth of the PLL clock recovery method.

---

### Example

This example measures the clock time interval error on the rising edge of channel 1, ideal clock frequency set to automatic, units set to seconds.

```
10 OUTPUT 707; ":MEASURE:TIECLOCK2 CHANNEL1, SECOND, RISING, AUTO"  
20 END
```

**Query**                   :MEASure:TIEClock2? <source>,{SECond |  
UNITinterval},{<direction>,{AUTO |  
CUSTOM,<frequency> |  
VARIABLE,<frequency>,<bandwidth> | CLOck}

The :MEASure:TIEClock2? query returns the current value of the clock time interval error.

**Returned format**       [:MEASure:TIEClock2] <value>[,<result\_state>]<NL>

<value>   The clock time interval error value.

<result\_state>   If SENDvalid is ON, the result state is returned with the measurement result. See the :MEASure:RESults table in this chapter for a list of the result states.

---

**Example**

This example places the current value of the clock time interval error in the variable Value, then prints the contents of the variable to the computer's screen.

```
10 OUTPUT 707;"SYSTEM:HEADER OFF"
20 OUTPUT 707;" :MEASURE:TIECLOCK2?
CHANNEL1,SECOND,FALLING,CUSTOM,2.5E9"
30 ENTER 707;Value$
40 PRINT Value$
50 END
```

---

---

## TIEData

**This command is only available when the E2681A Jitter Analysis Software or Serial Data Analysis are installed.**

**Command**           :MEASure:TIEData <source>, (SECOnd | UNITInterval},  
                      {AUTO | CUSTOM, <data\_rate> |  
                      VARiable, <data\_rate>, <bandwidth> | CLOCk}

The :MEASure:TIEData command measures data time interval error. You can set the units of the measurement by selecting SECOnd (seconds) or UNITInterval. If AUTO is selected, the oscilloscope selects the ideal data rate. If CUSTOm is selected, you can enter your own ideal constant data rate. If VARiable is selected, a first order PLL clock recovery is used at a given data rate and loop bandwidth. If CLOCk is given, clock recovery as specified with the :MEASure:CLOCk:METHOd is used.

<source> {CHANnel<N> | FUNCtion<N> | WMEMory<N>}

<N> is an integer, 1 - 4s.

<data\_rate> A real number for the ideal data rate for clock recovery.

<bandwidth> A real number for the loop bandwidth of the PLL clock recovery method.

---

**Example**           This example measures the data time interval error on channel 1, ideal data rate set to automatic, units set to seconds.

```
10 OUTPUT 707; ":MEASURE:TIEDATA CHANNEL1, SECOND, AUTO"  
20 END
```

---

**Query**                   :MEASure:TIEData? <source>, (SECond | UNITinterval},  
                          {AUTO | CUSTom, <frequency> |  
                          VARIable, <frequency>, <bandwidth> | CLOCk}

The :MEASure:TIEData? query returns the current value of the data time interval error.

**Returned format**       [:MEASure:TIEData] <value>[, <result\_state>]<NL>

<value>   The data time interval error value.

<result\_state>   If SENDvalid is ON, the result state is returned with the measurement result. See the :MEASure:RESults table in this chapter for a list of the result states.

---

**Example**

This example places the current value of the data time interval error in the variable Value, then prints the contents of the variable to the computer's screen.

```
10 OUTPUT 707; "SYSTEM:HEADER OFF"
20 OUTPUT 707; ":MEASURE:TIEDATA? CHANNEL1, SECOND, CUSTOM, 1E9"
30 ENTER 707; Value$
40 PRINT Value$
50 END
```

---

---

## TIEFilter:START

**This command is only available when the E2681A Jitter Analysis Software or Serial Data Analysis are installed.**

**Command** :MEASure:TIEFilter:START <frequency>

The :MEASure:TIEFilter:START command sets the start frequency for the TIE filter.

<frequency> is a floating point number

---

**Example** This example sets the start frequency for the TIE filter to 15 KHz.

```
10 OUTPUT 707; ":MEASURE:TIEFilter:START 15e3 "  
20 END
```

**Query** :MEASure:TIEFilter:START?,

The :MEASure:TIEFilter:START? query returns the current start frequency for the TIE filter as a floating point number.

**Returned format** [:MEASure:TIEFilter:START] <value><NL>

<value> The start frequency for the TIE filter.

---

**Example** This example places the current value of the start frequency for the time interval error in the variable Value, then prints the contents of the variable to the computer's screen.

```
10 OUTPUT 707; "SYSTEM:HEADER OFF"  
20 OUTPUT 707; ":MEASURE:TIEFilter:START?"  
30 ENTER 707;Value$  
40 PRINT Value$  
50 END
```



---

## TIEFilter:STAtE

<p><b>This command is only available when the E2681A Jitter Analysis Software or Serial Data Analysis are installed.</b></p>
--

**Command**                   :MEASure:TIEFilter:STAtE {{OFF|0} | {ON|1}}

The :MEASure:TIEFilter:STAtE command turns the TIE filter on or off.

---

**Example**                   This example turns the TIE filter on.

```
10 OUTPUT 707;":MEASURE:TIEFilter:STAtE ON"
20 END
```

---

**Query**                   :MEASure:TIEFilter:STAtE?,

The :MEASure:TIEFilter:STAtE? query returns the state of the TIEFilter:STAtE control.

**Returned Format**       {:MEASure:TIEFilter:STAtE] {0 | 1}<NL>

---

**Example**                   This example places the current mode for TIEFilter:STAtE in the string variable, Mode\$, then prints the contents of the variable to the computer's screen.

```
10 DIM Mode$[50]!Dimension variable
20 OUTPUT 707;":MEASURE:TIEFilter:STAtE?"
30 ENTER 707;Mode$
40 PRINT Mode$
50 END
```

---

## TIEFilter:STOP

**This command is only available when the E2681A Jitter Analysis Software or Serial Data Analysis are installed.**

**Command** :MEASure:TIEFilter:STOP <frequency>

The :MEASure:TIEFilter:START command sets the stop frequency for the TIE filter.

<frequency> is a floating point number

---

**Example** This example sets the stop frequency for the TIE filter to 1.5 MHz.

```
10 OUTPUT 707; ":MEASURE:TIEFilter:STOP 1.5e6"  
20 END
```

**Query** :MEASure:TIEFilter:STOP?,

The :MEASure:TIEFilter:STOP? query returns the current stop frequency for the TIE filter as a floating point number.

**Returned format** [:MEASure:TIEFilter:STOP] <value><NL>

<value> The stop frequency for the TIE filter.

---

**Example** This example places the current value of the stop frequency for the time interval error in the variable Value, then prints the contents of the variable to the computer's screen.

```
10 OUTPUT 707; "SYSTEM:HEADER OFF"  
20 OUTPUT 707; ":MEASURE:TIEFilter:STOP?"  
30 ENTER 707;Value$  
40 PRINT Value$  
50 END
```

---

## TIEFilter:TYPE

<p><b>This command is only available when the E2681A Jitter Analysis Software or Serial Data Analysis are installed.</b></p>
--

**Command**           :MEASure:TIEFilter:TYPE {BANDpass | LOWPass | HIGHpass}

The :MEASure:TIEFilter:TYPE command sets the type of TIE filter to be used.

---

**Example**           This example sets the TIE filter to highpass.

```
10  OUTPUT 707; ":MEASURE:TIEFilter:TYPE HIGHpass"
20  END
```

---

**Query**             :MEASure:TIEFilter:TYPE?,

The :MEASure:TIEFilter:TYPE? query returns the current type of TIE filter being used.

**Returned Format**   [:MEASure:TIEFilter:TYPE] {BANDpass | LOWPass | HIGHpass}<NL>

---

**Example**           This example places the current mode for TIEFilter:TYPE in the string variable, Mode\$, then prints the contents of the variable to the computer's screen.

```
10  DIM Mode$[50]!Dimension variable
20  OUTPUT 707; ":MEASURE:TIEFilter:TYPE?"
30  ENTER 707;Mode$
40  PRINT Mode$
50  END
```

---

---

## TMAX

**Command**           :MEASure:TMAX [<source>]

The :MEASure:TMAX command measures the first time at which the maximum voltage of the source waveform occurred. Sources are specified with the :MEASure:SOURce command or with the optional parameter following the :MEASure:TMAX command.

<source> {CHANnel<N> | FUNCtion<N> | WMEMory<N>}

<N> is an integer, 1 - 4.

**Query**               :MEASure:TMAX? [<source>]

The :MEASure:TMAX? query returns the time at which the first maximum voltage occurred.

**Returned Format**   [:MEASure:TMAX] <time>[,<result\_state>]<NL>

<time> Time at which the first maximum voltage occurred or frequency where the maximum FFT amplitude occurred.

<result\_state> If SENDvalid is ON, the result state is returned with the measurement result. See the :MEASure:RESults table in this chapter for a list of the result states.

---

### Example

This example returns the time at which the first maximum voltage occurred to the numeric variable, Time, then prints the contents of the variable to the computer's screen.

```
10 OUTPUT 707;":SYSTEM:HEADER OFF"!Response headers off
20 OUTPUT 707;":MEASURE:TMAX? CHANNEL1"
30 ENTER 707;Time
40 PRINT Time
50 END
```

---

---

## TMIN

**Command**           :MEASure:TMIN [<source>]

The :MEASure:TMIN command measures the time at which the first minimum voltage occurred. Sources are specified with the :MEASure:SOURce command or with the optional parameter following the :MEASure:TMIN command.

<source> {CHANnel<N> | FUNCtion<N> | WMEMory<N>}

<N> is an integer, 1 - 4.

**Query**               :MEASure:TMIN? [<source>]

The :MEASure:TMIN? query returns the time at which the first minimum voltage occurred or the frequency where the minimum FFT amplitude occurred.

**Returned Format**   [:MEASure:TMIN] <time>[,<result\_state>]<NL>

<time> Time at which the first minimum voltage occurred.

<result\_state> If SENDvalid is ON, the result state is returned with the measurement result. See the :MEASure:RESults table in this chapter for a list of the result states.

---

### Example

This example returns the time at which the first minimum voltage occurred to the numeric variable, Time, then prints the contents of the variable to the computer's screen.

```
10 OUTPUT 707;":SYSTEM:HEADER OFF"!Response headers off
20 OUTPUT 707;":MEASURE:TMIN? CHANNEL1"
30 ENTER 707;Time
40 PRINT Time
50 END
```

---

---

## TVOLt

**Command**           :MEASure:TVOLt <voltage>, [<slope>]<occurrence>  
                      [, <source>]

The :MEASure:TVOLt command measures the time interval between the trigger event and the defined voltage level and transition. Sources are specified with the :MEASure:SOURce command or with the optional parameter following the :MEASure:TVOLt command.

The TEDGE command can be used to get time of edges.

**Query**             :MEASure:TVOLt? <voltage>, <slope><occurrence>  
                      [, <source>]

The :MEASure:TVOLt? query returns the time interval between the trigger event and the specified voltage level and transition.

<voltage> Voltage level at which time will be measured.

<slope> The direction of the waveform change when the specified voltage is crossed - rising (+) or falling (-). If no +/- sign is present, + is assumed.

<occurrence> The number of the crossing to be reported (if one, the first crossing is reported; if two, the second crossing is reported, etc.). The desired crossing must be present on the display. Occurrences are counted with 1 being the first occurrence from the left of the display, and a maximum value of 65534.

<source> {CHANnel<N> | FUNCTION<N> | WMemory<N>}

<N> is an integer, 1 - 4.

**Returned Format**   [:MEASure:TVOLt] <time>[, <result\_state>]<NL>

<time> The time interval between the trigger event and the specified voltage level and transition.

<result\_state> If SENDvalid is ON, the result state is returned with the measurement result. See the :MEASure:RESults table in this chapter for a list of the result states.

---

**Example**

This example returns the time interval between the trigger event and the transition through  $-0.250$  Volts on the third rising occurrence of the source waveform to the numeric variable, Time. The contents of the variable are then printed to the computer's screen.

```
10 OUTPUT 707;":SYSTEM:HEADER OFF"!Response headers off
20 OUTPUT 707;":MEASURE:TVOLT? -.250,+3,CHANNEL1"
30 ENTER 707;Time
40 PRINT Time
50 END
```

---

---

## UNITinterval

<b>This command is only available when the E2681A Jitter Analysis Software is installed.</b>
--

**Command**           :MEASure:UNITinterval <source>[, {AUTO | (SEMI, <data\_rate>)}]

The :MEASure:UNITinterval command measures the unit interval value of the selected source. Use the :MEASure:DATarate command/query to measure the data rate of the source

<source> {CHANnel<N> | FUNction<N> | WMEMory<N>}

<N> CHANnel<N> is an integer, 1 - 4.

FUNction<N> and WMEMory<N> are:

An integer, 1 - 4, representing the selected function or waveform memory.

<data\_rate> A real number representing the data rate.

---

**Example**           This example measures the unit interval of channel 1.  
10 OUTPUT 707; "MEASURE:UNITINTERVAL CHANNEL1"  
20 END

---

**Query**             :MEASure:UNITinterval? <source>[, {AUTO | (SEMI, <data\_rate>)}]

The :MEASure:UNITinterval? query returns the measured unit interval.

**Returned Format**   [:MEASure:UNITinterval] <value>[, <result\_state>]<NL>

<value> Unit interval of the source.

<result\_state> If SENDvalid is ON, the result state is returned with the measurement result. See the :MEASure:RESults table in this chapter for a list of the result states.



---

**Example**

This example places the current unit interval of the channel 1 waveform in the numeric variable, Value, then prints the contents of the variable to the computer's screen.

```
10 OUTPUT 707;":SYSTEM:HEADER OFF"!Response headers off
20 OUTPUT 707;":MEASURE:UNITINTERVAL? CHANNEL1"
30 ENTER 707;Value
40 PRINT Value
50 END
```

---

---

## VAMplitude

**Command**           :MEASure:VAMplitude [<source>]

The :MEASure:VAMplitude command calculates the difference between the top and base voltage of the specified source. Sources are specified with the :MEASure:SOURce command or with the optional parameter following the :MEASure:VAMplitude command.

<source> {CHANnel<N> | FUNCtion<N> | WMEMory<N>}  
<N> is an integer, 1 - 4.

---

**Example**           This example calculates the difference between the top and base voltage of the specified source.

```
10 OUTPUT 707; ":MEASURE:VAMPLITUDE CHANNEL1"  
20 END
```

---

**Query**             :MEASure:VAMplitude? [<source>]

The :MEASure:VAMplitude? query returns the calculated difference between the top and base voltage of the specified source.

**Returned Format**   [:MEASure:VAMplitude] <value>[,<result\_state>]<NL>

<value>   Calculated difference between the top and base voltage.

<result\_state>   If SENDvalid is ON, the result state is returned with the measurement result. See the :MEASure:RESults table in this chapter for a list of the result states.

---

**Example**           This example places the current Vamplitude value in the numeric variable, Value, then prints the contents of the variable to the computer's screen.

```
10 OUTPUT 707; ":SYSTEM:HEADER OFF"!Response headers off  
20 OUTPUT 707; ":MEASURE:VAMPLITUDE? CHANNEL1"  
30 ENTER 707;Value  
40 PRINT Value  
50 END
```

---

## VAverage

**Command**            :MEASure:VAverage {CYCLe | DISPlay} [, <source>]

The :MEASure:VAverage command calculates the average voltage over the displayed waveform. Sources are specified with the :MEASure:SOURce command or with the optional parameter following the :MEASure:VAverage command.

**CYCLe**    The CYCLe parameter instructs the average measurement to measure the average voltage across the first period on the display.

**DISPlay**    The DISPlay parameter instructs the average measurement to measure all the data on the display.

**<source>**    {CHANnel<N> | FUNCTion<N> | WMEMory<N>}

      <N>    is an integer, 1 - 4.

---

### Example

This example calculates the average voltage over the displayed waveform.

```
10  OUTPUT 707; " :MEASURE:VAVERAGE DISPLAY, CHANNEL1 "
20  END
```

---

## Measure Commands

### VAVerage

**Query** `:MEASure:VAVerage? {CYCLe | DISPlay} [, <source>]`

The `:MEASure:VAVerage?` query returns the calculated average voltage of the specified source. Sources are specified with the `:MEASure:SOURce` command or with the optional parameter following the `:MEASure:VAVerage` command.

**Returned Format** `[ :MEASure:VAVerage] <value> [, <result_state>] <NL>`

`<value>` The calculated average voltage.

`<result_state>` If `SENDvalid` is ON, the result state is returned with the measurement result. See the `:MEASure:RESults` table in this chapter for a list of the result states.

---

### Example

This example places the current average voltage in the numeric variable, `Average`, then prints the contents of the variable to the computer's screen.

```
10 OUTPUT 707; ":SYSTEM:HEADER OFF"!Response headers off
20 OUTPUT 707; ":MEASURE:VAVERAGE? DISPLAY,CHANNEL1 CHANNEL1"
30 ENTER 707;Average
40 PRINT Average
50 END
```

---

---

## VBASE

**Command**           :MEASure:VBASE [<source>]

The :MEASure:VBASE command measures the statistical base of the waveform. Sources are specified with the :MEASure:SOURce command or with the optional parameter following the :MEASure:VBASE command.

<source> {CHANnel<N> | FUNCtion<N> | WMEMory<N>}

<N> is an integer, 1 - 4.

---

**Example**           This example measures the voltage at the base of the waveform.

```
10 OUTPUT 707; ":MEASURE:VBASE CHANNEL1"
20 END
```

---

**Query**             :MEASure:VBASE? [<source>]

The :MEASure:VBASE? query returns the measured voltage value at the base of the specified source.

**Returned Format**   [:MEASure:VBASE] <value>[,<result\_state>]<NL>

<value> Voltage at the base of the waveform.

<result\_state> If SENDvalid is ON, the result state is returned with the measurement result. See the :MEASure:RESults table in this chapter for a list of the result states.

---

**Example**           This example returns the current voltage at the base of the waveform to the numeric variable, Voltage, then prints the contents of the variable to the computer's screen.

```
10 OUTPUT 707; ":SYSTEM:HEADER OFF"!Response headers off
20 OUTPUT 707; ":MEASURE:VBASE? CHANNEL1"
30 ENTER 707;Voltage
40 PRINT Voltage
50 END
```

---

## VLOWer

**Command**           :MEASure:VLOWer [<source>]

The :MEASure:VLOWer command measures the voltage value at the lower threshold of the waveform. Sources are specified with the :MEASure:SOURce command or with the optional parameter following the :MEASure:VLOWer command.

<source> {CHANnel<N> | FUNCTION<N> | WMEMory<N>}

<N> is an integer, 1 - 4.

**Query**               :MEASure:VLOWer?

The :MEASure:VLOWer? query returns the measured lower threshold of the selected source.

**Returned Format**   [:MEASure:VLOWer] <value>[,<result\_state>]<NL>

<value> Voltage value at the lower threshold.

<result\_state> If SENDvalid is ON, the result state is returned with the measurement result. See the :MEASure:RESults table in this chapter for a list of the result states.

---

### Example

This example returns the measured voltage at the lower threshold of the waveform to the numeric variable, Vlower, then prints the contents of the variable to the computer's screen.

```
10 OUTPUT 707;":SYSTEM:HEADER OFF"!Response headers off
20 OUTPUT 707;":MEASURE:VLOW? CHANNEL1"
30 ENTER 707;Vlower
40 PRINT Vlower
50 END
```

---

## VMAX

**Command**           :MEASure:VMAX [<source>]

The :MEASure:VMAX command measures the absolute maximum voltage present on the selected source waveform. Sources are specified with the :MEASure:SOURce command or with the optional parameter following the :MEASure:VMAX command.

<source> {CHANnel<N> | FUNCtion<N> | WMEMory<N>}  
<N> is an integer, 1 - 4.

---

**Example**           This example measures the absolute maximum voltage on the waveform.

```
10 OUTPUT 707; ":MEASURE:VMAX CHANNEL1"
20 END
```

---

**Query**             :MEASure:VMAX? [<source>]

The :MEASure:VMAX? query returns the measured absolute maximum voltage or maximum FFT amplitude present on the selected source waveform.

**Returned Format**   [:MEASure:VMAX] <value>[,<result\_state>]<NL>

<value> Absolute maximum voltage present on the waveform.

<result\_state> If SENDvalid is ON, the result state is returned with the measurement result. See the :MEASure:RESults table in this chapter for a list of the result states.

---

**Example**           This example returns the measured absolute maximum voltage on the waveform to the numeric variable, Maximum, then prints the contents of the variable to the computer's screen.

```
10 OUTPUT 707; ":SYSTEM:HEADER OFF"!Response headers off
20 OUTPUT 707; ":MEASURE:VMAX? CHANNEL1"
30 ENTER 707;Maximum
40 PRINT Maximum
50 END
```

---

---

## VMIDdle

**Command**           :MEASure:VMIDdle [<source>]

The :MEASure:VMIDdle command measures the voltage level at the middle threshold of the waveform. Sources are specified with the :MEASure:SOURce command or with the optional parameter following the :MEASure:VMIDdle command.

**Query**             :MEASure:VMIDdle? [<source>]

The :MEASure:VMIDdle? query returns the voltage value at the middle threshold of the waveform.

<source> {CHANnel<N> | FUNction<N> | WMEMory<N>}

<N> is an integer, 1 - 4.

**Returned Format**   [MEASure:VMIDdle] <value>[,<result\_state>]<NL>

<value>   The middle voltage present on the waveform.

<result\_state>   If SENDvalid is ON, the result state is returned with the measurement result. See the :MEASure:RESults table in this chapter for a list of the result states.

---

**Example**           This example returns the measured middle voltage on the waveform to the numeric variable, Middle, then prints the contents of the variable to the computer's screen.

```
10  OUTPUT 707;":SYSTEM:HEADER OFF"!Response headers off
20  OUTPUT 707;":MEASURE:VMID? CHANNEL1"
30  ENTER 707;Middle
40  PRINT Middle
50  END
```

---



---

## VMIN

**Command**                   :MEASure:VMIN [<source>]

The :MEASure:VMIN command measures the absolute minimum voltage present on the selected source waveform. Sources are specified with :MEASure:SOURce or with the optional parameter following the :MEASure:VMIN command.

<source> {CHANnel<N> | FUNCtion<N> | WMEMory<N>}  
<N> is an integer, 1 - 4.

---

**Example**                   This example measures the absolute minimum voltage on the waveform.

```
10 OUTPUT 707; ":MEASURE:VMIN CHANNEL1"
20 END
```

---

**Query**                     :MEASure:VMIN? [<source>]

The :MEASure:VMIN? query returns the measured absolute minimum voltage or minimum FFT amplitude present on the selected source waveform.

**Returned Format**       [:MEASure:VMIN] <value>[,<result\_state>]<NL>

<value> Absolute minimum voltage present on the waveform.

<result\_state> If SENDvalid is ON, the result state is returned with the measurement result. See the :MEASure:RESults table in this chapter for a list of the result states.

---

**Example**                   This example returns the measured absolute minimum voltage on the waveform to the numeric variable, Minimum, then prints the contents of the variable to the computer's screen.

```
10 OUTPUT 707; ":SYSTEM:HEADER OFF"!Response headers off
20 OUTPUT 707; ":MEASURE:VMIN? CHANNEL1"
30 ENTER 707;Minimum
40 PRINT Minimum
50 END
```

---

## VPP

**Command**           :MEASure:VPP [<source>]

The :MEASure:VPP command measures the maximum and minimum voltages on the selected source, then calculates the peak-to-peak voltage as the difference between the two voltages. Sources are specified with the :MEASure:SOURce command or with the optional parameter following the :MEASure:VPP command.

<source> {CHANnel<N> | FUNction<N> | WMEMory<N>}  
<N> is an integer, 1 - 4.

---

**Example**           This example measures the peak-to-peak voltage or FFT amplitude range of the previously selected source.

```
10 OUTPUT 707; ":MEASURE:VPP CHANNEL1"  
20 END
```

---

**Query**             :MEASure:VPP? [<source>]

The :MEASure:VPP? query returns the specified source peak-to-peak voltage.

**Returned Format**   [:MEASure:VPP] <value>[, <result\_state>]<NL>

<value>   Peak-to-peak voltage of the selected source.

<result\_state>   If SENDvalid is ON, the result state is returned with the measurement result. See the :MEASure:RESults table in this chapter for a list of the result states.

---

**Example**           This example places the current peak-to-peak voltage in the numeric variable, Voltage, then prints the contents of the variable to the computer's screen.

```
10 OUTPUT 707; ":SYSTEM:HEADER OFF"!Response headers off  
20 OUTPUT 707; ":MEASURE:VPP? CHANNEL1"  
30 ENTER 707;Voltage  
40 PRINT Voltage  
50 END
```

---

## VRMS

**Command**                   :MEASure:VRMS {CYCLe | DISPLay},{AC | DC} [,<source>]

The :MEASure:VRMS command measures the RMS voltage of the selected waveform by subtracting the average value of the waveform from each data point on the display. Sources are specified with the :MEASure:SOURce command or with the optional parameter following the :MEASure:VRMS command.

**CYCLe** The CYCLe parameter instructs the RMS measurement to measure the RMS voltage across the first period of the display.

**DISPLay** The DISPLay parameter instructs the RMS measurement to measure all the data on the display. Generally, RMS voltage is measured across one waveform or cycle, however, measuring multiple cycles may be accomplished with the DISPLay option. The DISPLay parameter is also useful when measuring noise.

**AC** The AC parameter is used to measure the RMS voltage subtracting the DC component.

**DC** The DC parameter is used to measure RMS voltage including the DC component. The AC RMS, DC RMS, and VAVG parameters are related as in this formula:  

$$DCVRMS^2 = ACVRMS^2 + VAVG^2$$

<source> {CHANnel<N> | FUNCTion<N> | WMEMory<N>}

<N> is an integer, 1 - 4.

---

**Example**                   This example measures the RMS voltage of the previously selected waveform.

```
10  OUTPUT 707; " :MEASURE:VRMS CYCLE,AC,CHANNEL1 "
20  END
```

---

## Measure Commands

### VRMS

**Query** `:MEASure:VRMS? {CYCLe | DISPlay},{AC | DC}`  
`[,<source>]`

The `:MEASure:VRMS?` query returns the RMS voltage of the specified source.

**Returned Format** `[:MEASure:VRMS] <value>[,<result_state>]<NL>`

`<value>` RMS voltage of the selected waveform.

`<result_state>` If `SENDvalid` is ON, the result state is returned with the measurement result. See the `:MEASure:RESults` table in this chapter for a list of the result states.

---

#### Example

This example places the current AC RMS voltage over one period of the waveform in the numeric variable, `Voltage`, then prints the contents of the variable to the computer's screen.

```
10 OUTPUT 707;":SYSTEM:HEADER OFF"!Response headers off
20 OUTPUT 707;":MEASURE:VRMS? CYCLE,AC,CHANNEL1"
30 ENTER 707;Voltage
40 PRINT Voltage
50 END
```

---

---

## VTIME

**Command**                   :MEASure:VTIME <time> [, <source>]

The :MEASure:VTIME command measures the voltage at the specified time. The time is referenced to the trigger event and must be on the screen. When an FFT function is the specified source, the amplitude at the specified frequency is measured. Sources are specified with the :MEASure:SOURce command or with the optional parameter following the :MEASure:VTIME command.

<source> {CHANnel<N> | FUNction<N> | WMEMory<N>}

<N> is an integer, 1 - 4.

<time> A real number for time from trigger in seconds, or frequency in Hertz for an FFT (when a function is set to FFT or a waveform memory contains an FFT).

**Query**                       :MEASure:VTIME? <time> [, <source>]

The :MEASure:VTIME? query returns the measured voltage or amplitude.

**Returned Format**       [:MEASure:VTIME] <value> [, <result\_state>] <NL>

<value> Voltage at the specified time. When the source is an FFT function, the returned value is the vertical value at the horizontal setting passed in the VTIME <time> parameter. The time parameter is in Hertz when an FFT function is the source.

<result\_state> If SENDvalid is ON, the result state is returned with the measurement result. See the :MEASure:RESults table in this chapter for a list of the result states.

---

### Example

This example places the voltage at 500 ms in the numeric variable, Value, then prints the contents to the computer's screen.

```
10 OUTPUT 707; ":SYSTEM:HEADER OFF"!Response headers off
20 OUTPUT 707; ":MEASURE:VTIME? 500E-3, CHANNEL1"
30 ENTER 707; Value
40 PRINT Value
50 END
```

---

---

## VTOP

**Command**           :MEASure:VTOP [<source>]

The :MEASure:VTOP command measures the statistical top of the selected source waveform. Sources are specified with the :MEASure:SOURce command or with the optional parameter following the :MEASure:VTOP command.

<source> {CHANnel<N> | FUNCtion<N> | WMEMory<N>}  
<N> is an integer, 1 - 4.

---

**Example**           This example measures the voltage at the top of the waveform.

```
10 OUTPUT 707; ":MEASURE:VTOP CHANNEL1"  
20 END
```

---

**Query**             :MEASure:VTOP? [<source>]

The :MEASure:VTOP? query returns the measured voltage at the top of the specified source.

**Returned Format**   [:MEASure:VTOP] <value>[,<result\_state>]<NL>

<value> Voltage at the top of the waveform.

<result\_state> If SENDvalid is ON, the result state is returned with the measurement result. See the :MEASure:RESults table in this chapter for a list of the result states.

---

**Example**           This example places the value of the voltage at the top of the waveform in the numeric variable, Value, then prints the contents of the variable to the computer's screen.

```
10 OUTPUT 707; ":SYSTEM:HEADER OFF"!Response headers off  
20 OUTPUT 707; ":MEASURE:VTOP? CHANNEL1"  
30 ENTER 707;Value  
40 PRINT Value  
50 END
```

---

## VUPPer

**Command**                   :MEASure:VUPPer [<source>]

The :MEASure:VUPPer command measures the voltage value at the upper threshold of the waveform. Sources are specified with the MEASure:SOURce command or with the optional parameter following the :MEASure:VUPPer command.

<source> {CHANnel<N> | FUNCTION<N> | WMEMory<N>}  
<N> is an integer, 1 - 4.

---

**Example**                   This example measures the voltage at the upper threshold of the waveform.

```
10  OUTPUT 707; ":MEASURE:VUPPer CHANNEL1"
20  END
```

---

**Query**                     :MEASure:VUPPer? [<source>]

The :MEASure:VUPPer? query returns the measured upper threshold value of the selected source.

**Returned Format**       [:MEASure:VUPPer] <value>[,<result\_state>]<NL>

<value> Voltage at the upper threshold.

<result\_state> If SENDvalid is ON, the result state is returned with the measurement result. See the :MEASure:RESults table in this chapter for a list of the result states.

---

**Example**                   This example places the value of the voltage at the upper threshold of the waveform in the numeric variable, Value, then prints the contents of the variable to the computer's screen.

```
10  OUTPUT 707; ":SYSTEM:HEADER OFF"!Response headers off
20  OUTPUT 707; ":MEASURE:VUPPER? CHANNEL1"
30  ENTER 707;Value
40  PRINT Value
50  END
```

---

**Measure Commands**

**VUPPer**





---

# Pod Commands

**The POD commands only apply to the MSO Oscilloscopes.**

The :POD modes and commands described in this chapter include:

- DISPlay
- THReshold
- PSKew

---

## DISPlay

**Command**           :POD<N>[:DISPlay] {ON | OFF | 1 | 0}

**The POD commands only apply to the MSO Oscilloscopes.**

The :POD<N>:DISPlay command enables or disables the view of selected pod. Pod 1 is bits D7 through D0 and pod 2 is bits D15 through D8. The digital subsystem must be enabled before this command will work. See ENABLE command in the root subsystem.

<N> An integer, 1 - 2.

---

### Example

This example turns on the view of pod 2.

```
10 Output 707;:ENABLE DIGITAL"  
20 Output 707;":POD2 ON"  
30 END
```

---

### Query

:POD<N>:DISPlay?

The :POD<N>:DISPlay? query returns the current digital display setting for the selected pod.

---

### Returned Format

[:POD<N>:DISPlay] {1 | 0}<NL>

---

## THReshold

**Command**            :POD<N>:THReshold {CMOS50 | CMOS30 | CMOS25 | ECL | PECL | TTL | <value>}

**The POD commands only apply to the MSO Oscilloscopes.**

The :POD<N>:THReshold command sets the logic threshold value for the selected pod. POD1 is digital channels D0 through D7 and POD2 is digital channels D8 through D15. The threshold is used for triggering purposes and for displaying the digital data as high (above the threshold) or low (below the threshold). The voltage values for the predefined thresholds are:

CMOS50=2.5 V  
CMOS30=1.65 V  
CMOS25=1.25 V  
ECL=-1.3 V  
PECL=3.7 V  
TTL=1.4 V

<N> An integer, 1 - 2.

<value> A real number representing the voltage value which distinguishes a 1 logic level from a 0 logic level. Waveform voltages greater than the threshold are 1 logic levels while waveform voltages less than the threshold are 0 logic levels. The range of the threshold voltage is from -8 volts to 8 volts.

**Query**                :POD<N>:THREShold?

The :POD<N>:THREShold? query returns the threshold value for the specified pod.

**Return format**       [:POD<N>:THReshold] {CMOS50 | CMOS30 | CMOS25 | ECL | PECL | TTL | <value>}<NL>

---

## PSKew

**Command**           :POD<N>:PSKew <value>

**The POD commands only apply to the MSO Oscilloscopes.**

The :POD<N>:PSKew command sets the probe skew between the analog channels and the digital channels. This allows you to adjust for time delay differences due to cables or probe length differences between the analog and digital channels.

<value> A real number representing the probe skew between the analog and digital channels. The range of probe skew is from -100  $\mu$ s to 100  $\mu$ s.

---

**Example**           This example sets the probe skew to 1 ps.

```
10 Output 707;":POD1:PSKew 1E-12"  
20 END
```

---

**Query**             :POD<N>:PSKew?

The :POD<N>:PSKew? query returns the probe skew value.

**Return format**   [:POD<N>:PSKew] <value><NL>





---

# Root Level Commands

Root level commands control many of the basic operations of the oscilloscope that you can select by pressing the labeled keys on the front panel. These commands are always recognized by the parser if they are prefixed with a colon, regardless of the current tree position. After executing a root level command, the parser is positioned at the root of the command tree.

These root level commands and queries are implemented in the Infiniium Oscilloscopes:

- ADER? (Acquisition Done Event Register)
- AER? (Arm Event Register)
- ATER? (Auto Trigger Event Register)
- AUToscale
- BLANk
- CDISplay
- DIGitize
- DISable
- ENABle
- MTEE (Mask Test Enable Register)
- MTER? (Mask Test Event Register)
- MODel?
- OPEE (Operation Status Enable)
- OPER? (Operation Status Register)
- OVLEnable
- OVLRegister
- PRINt
- RECall:SETup
- RUN
- SERial (Serial Number)
- SINGle
- STATus?
- STOP



- STORE:SETup
- STORE:WAVeform
- TER? (Trigger Event Register)
- VIEW

---

## ADER? (Acquisition Done Event Register)

**Query**

:ADER?

The :ADER? query reads the Acquisition Done Event Register and returns 1 or 0. After the Acquisition Done Event Register is read, the register is cleared. The returned value 1 indicates an acquisition completed event has occurred and 0 indicates an acquisition completed event has not occurred.

Once the Done bit is set, it is cleared only by doing :ADER? or by sending a \*CLS command.

**Returned Format**

{1 | 0}<NL>

---

## AER? (Arm Event Register)

### Query

:AER?

The :AER? query reads the Arm Event Register and returns 1 or 0. After the Arm Event Register is read, the register is cleared. The returned value 1 indicates a trigger armed event has occurred and 0 indicates a trigger armed has not occurred.

### Arm Event Returns

**:AER? will allow the Arm Event to return either immediately (if you have armed but not triggered) or on the next arm (if you have already triggered). However, \*CLS is always required to get an SRQ again.**

Once the AER bit is set, it is cleared only by doing :AER? or by sending a \*CLS command.

### Returned Format

{1 | 0}<NL>

---

## ATER? (Auto Trigger Event Register)

**Query**                   :ATER?

The :ATER? query reads the Auto Trigger Event Register and returns 1 or 0. After the Auto Trigger Event Register is read, the register is cleared. The returned value 1 indicates an auto trigger event has occurred and 0 indicates an auto trigger event has not occurred.

**Returned Format**       {1 | 0}<NL>

---

## AUToscale

**Command** :AUToscale

The :AUToscale command causes the oscilloscope to evaluate all input waveforms and find the optimum conditions for displaying the waveform. It searches each of the channels for input waveforms and shuts off channels where no waveform is found. It adjusts the vertical gain and offset for each channel that has a waveform, and sets the time base on the lowest numbered input channel that has a waveform.

The trigger is found by first searching external trigger inputs, then searching each channel, starting with channel 4, then channel 3, channel 2, and channel 1, until a trigger waveform is detected. If waveforms cannot be found on any vertical input, the oscilloscope is returned to its former state.

Autoscale sets the following:

- Channel Display, Scale, and Offset
- Trigger Sweep, Mode, Edge, Source, Level, Slope, Hysteresis, and Holdoff
- Acquisition Sampling Rate and Memory Depth
- Time Base Scale and Position
- Marker Mode Set to Measurement
- Resets Acquisition Completion Criteria to 90%

Autoscale turns off the following:

- Measurements on sources that are turned off
- Functions
- Windows
- Memories

No other controls are affected by Autoscale.

---

### Example

This example automatically scales the oscilloscope for the input waveform.

```
10 OUTPUT 707; " :AUTOSCALE"
20 END
```

---

## BLANK

**Command**           :BLANK {BUS1 | BUS2 | CHANnel<N> | FUNction<N> | HISTogram | WMEMory<N> | <channel\_list> | <digital\_channel> | POD1 | POD2}

The :BLANK command turns off an active channel, function, histogram, waveform memory, or digital channel. The :VIEW command turns them on.

<N> An integer, 1 - 4.

<channel\_list> The channel range is from 0 to 15 in the following format.

**(@1,5,7,9)       channels 1, 5, 7, and 9 are turned off.**

**(@1:15)         channels 1 through 15 are turned off.**

**(@1:5,8,14)     channels 1 through 5, channel 8, and channel 14 are turned off.**

<digital\_channel> The digital channels are only available on the MSO oscilloscopes and can be DIGital0 through DIGtal15

POD1 Bits 0 through 7 are turned off.

POD2 Bits 8 through 15 are turned off.

**Example**           This example turns off digital channels 1 through 5 and digital channel 8.

```
10 OUTPUT 707; ":BLANK (@1:5,8) "
20 END
```

---

## CDISplay

**Command** :CDISplay

The :CDISplay command clears the display and resets all associated measurements. If the oscilloscope is stopped, all currently displayed data is erased. If the oscilloscope is running, all of the data in active channels and functions is erased; however, new data is displayed on the next acquisition. Waveform memories are not erased.

---

**Example** This example clears the oscilloscope display.

```
10 OUTPUT 707; ":CDISPLAY"  
20 END
```

---

---

## DIGitize

**Command**           :DIGitize [CHANnel<N> | FUNction<N> |  
                  <digital\_channel> | POD1 | POD2][, ...]

<N> An integer, 1 - 4.

<digital\_channel> The digital channels are only available on the MSO oscilloscopes and can be  
                  DIGital0 through DIGtal15

POD1 Bits 0 through 7 are digitized.

POD2 Bits 8 through 15 are digitized.

The :DIGitize command invokes a special mode of data acquisition that is more efficient than using the :RUN command. This command initializes the selected channels or functions, then acquires them according to the current oscilloscope settings. When all waveforms are completely acquired, the oscilloscope is stopped. The waveform completion criteria is set with the “:ACquire:COMplete” command.

If you specify channel or function parameters, then these are the only waveforms acquired and the display waveforms of the specified channels and functions are turned off.

**Full Range of Measurement and Math Operators are Available**

**Even though digitized waveforms are not displayed, you may perform the full range of measurement and math operators on them.**

When you select as a source any of the digital channels or pods all of the digital channels are digitized.

If you use the :DIGitize command with no parameters, the digitize operation is performed on the channels or functions that are being displayed in the Infiniium waveform viewing area. In this case, the display state of the acquired waveforms is not changed after the the :DIGitize command is completed. Because the command executes more quickly without parameters, this form of the command is useful for repetitive measurement sequences. You can also use this mode if you want to view the digitize results because the display state of the digitized waveforms is not affected.



See the Sample Programs in chapter 6 for examples of how to use :DIGitize and its related commands.

---

**Example**

This example acquires data on channel 1 and function 2.

```
10 OUTPUT 707; ":DIGITIZE CHANNEL1,FUNCTION2"  
20 END
```

---

The ACQUIRE subsystem commands set up conditions such as COUNT for the next :DIGitize command. The WAVEform subsystem commands determine how the data is transferred out of the oscilloscope, and how to interpret the data.

---

## DISable

**Command**           :DISable DIGital

The :DISable DIGital command disables the display of the digital channels. This command disables the use of the DIGital subsystem commands.

---

**Example**           This example disables the digital subsystem.

```
10  OUTPUT 707; ":DISABLE DIGITAL"  
20  END
```

---

---

## ENABLE

**Command**           :ENABle DIGital

The :ENABle DIGital command enables the display of the digital channels. This command must be used before the DIGital subsystem commands can be used.

---

**Example**           This example enables the digital subsystem.

```
10  OUTPUT 707; ":ENABLE DIGITAL"  
20  END
```

---

---

## MTEE

**Command**           : MTEE <enable\_mask>

The :MTEE command is used to set bits in the Mask Test Enable Register. This register enables the following bits of the Mask Test Event Register:

<enable\_mask> Bit 0 - Mask Test Complete  
                  Bit 1 - Mask Test Fail  
                  Bit 2 - Mask Low Amplitude  
                  Bit 3 - Mask High Amplitude  
                  Bit 4 - Mask Align Complete  
                  Bit 5 - Mask Align Fail  
                  Bit 6-7 are not used and are set to zero (0).

**Query**               : MTEE?

The :MTEE? query returns the value stored in the Mask Test Enable Register.

**Returned Format**   [ :MTEE ] <enable\_mask>

---

### Example

Suppose your application requires an interrupt whenever a Mask Test Fail occurs in the mask test register. You can enable this bit to generate the summary bit by sending:

```
OUTPUT 707; "MTEE 2"
```

Whenever an error occurs, the oscilloscope sets the MASK bit in the Operation Status Register. Because the bits in the Operation Status Enable Register are all enabled, a summary bit is generated to set bit 7 (OPER) in the Status Byte Register.

If bit 7 (OPER) in the Status Byte Register is enabled (via the \*SRE command), a service request interrupt (SRQ) is sent to the external computer.

---

---

## MTER?

### Query

:MTER?

The :MTER? query returns the value stored in the Mask Test Event Register. The bits stored in the register have the following meanings:

Bit 0 Mask Test Complete bit is set whenever the mask test is complete.

Bit 1 Mask Test Fail bit is set whenever the mask test failed.

Bit 2 Mask Low Amplitude bit is set whenever the signal is below the mask amplitude.

Bit 3 Mask High Amplitude bit is set whenever the signal is above the mask amplitude.

Bit 4 Mask Align Complete bit is set whenever the mask align is complete.

Bit 5 Mask Align Fail bit is set whenever the mask align failed.

The Mask Test Event Register is read and cleared by the MTER? query. The register output is enabled or disabled using the mask value supplied with the MTEE command.

Returned Format 0-63 decimal value.

### **Disabled Mask Test Event Register Bits Respond, but Do Not Generate a Summary Bit**

**Mask Test Event Register bits that are not enabled still respond to their corresponding conditions (that is, they are set if the corresponding event occurs). However, because they are not enabled, they do not generate a summary bit in the Operation Status Register.**

---

## MODEL?

**Query** :MODEL?

The :MODEL? query returns the model number for the oscilloscope.

**Returned Format** A six-character alphanumeric model number in quotation marks. Output is determined by header and longform status as in Table 26-1.

<Model #> The model number of the oscilloscope.

**Table 26-1**

---

**MODEL? Returned Format**

---

HEADER		LONGFORM		RESPONSE
ON	OFF	ON	OFF	
	X		X	<Model #>
	X	X		<Model #>
X			X	:MOD <Model#>
X		X		:MODEL <Model #>

Where "x" in the Response 5483xB = 1, 2, or 3

---

**Example**

This example places the model number in a string variable, Model\$, then prints the contents of the variable on the computer's screen.

```
10 Dim Model$[13]!Dimension variable
20 OUTPUT 707;":MODEL?"
30 ENTER 707; Model$
40 PRINT MODEL$
50 END
```

---

---

## OPEE

**Command**           :OPEE <mask>

<mask>   The decimal weight of the enabled bits.

The :OPEE command sets a mask in the Operation Status Enable register. Each bit that is set to a “1” enables that bit to set bit 7 in the status byte register, and potentially causes an SRQ to be generated. Bit 5, Wait for Trig is used. Other bits are reserved.

**Query**               :OPEE?

The query returns the current value contained in the Operation Status Enable register as a decimal number.

**Returned Format**    [OPEE] <value><NL>

**OPER?**

---

**OPER?**

**Query**

:OPER?

The :OPER? query returns the value contained in the Operation Status Register as a decimal number. This register contains the WAIT TRIG bit (bit 5) and the OVL R bit (bit 11).

The WAIT TRIG bit is set by the Trigger Armed Event Register and indicates that the trigger is armed. The OVL R bit is set by the Overload Event Register.

**Returned Format**

<value><NL>



---

## OVLEnable

**Command** :OVLEnable <enable\_mask>

The :OVLEnable command enables the built-in overload protection in the oscilloscope. If too much voltage is present at the channel input, the oscilloscope switches to 1 M $\Omega$  input impedance.

This command changes the Overload Event Enable Register value which enables or disables reading of the overload protection bits for all of the channel inputs.

<enable\_mask> The overload enable mask is an integer representing a channel as follows:

Bit 0 - Channel 1

Bit 1 - Channel 2

Bit 2 - Channel 3

Bit 3 - Channel 4

Bits 7-4 are not used and are set to zero (0).

**Query** :OVLEnable?

The :OVLEnable? query returns the current value contained in the Overload Enable Register.

**Returned Format** [OVLEnable] <enable\_mask><NL>

**See Also** :CHANnel<N>:PROTEction:CLEAR

---

## OVLRegister?

**Query**                   :OVLRegister?

The :OVLRegister? query returns the value stored in the Overload Event Register. Before the bits in this register can be read, the OVLEnable command must be set to enable the bits for each channel.

The integer value returned by this query represents the channels as follows:

- Bit 0 - Channel 1
- Bit 1 - Channel 2
- Bit 2 - Channel 3
- Bit 3 - Channel 4
- Bits 7-4 are not used and are set to zero (0).

**Returned Format**       <value><NL>

---

## PRINT

**Command**           :PRINT

The :PRINT command outputs a copy of the screen to a printer or other device destination specified in the HARDcopy subsystem. You can specify the selection of the output and the printer using the HARDcopy subsystem commands.

---

**Example**           This example outputs a copy of the screen to a printer or a disk file.

```
10  OUTPUT 707; ":PRINT"  
20  END
```

---

---

## RECall:SETup

**Command** :RECall:SETup <setup\_memory\_num>

<setup\_memory\_num> Setup memory number, an integer, 0 through 9.  
The :RECall:SETup command recalls a setup that was saved in one of the oscilloscope's setup memories. You can save setups using either the :STORe:SETup command or the front panel.

---

**Examples** This command recalls a setup from setup memory 2.

```
10 OUTPUT 707;":RECall:SETup 2"  
20 END
```

---

---

## RUN

**Command** :RUN

The :RUN command starts the oscilloscope running. When the oscilloscope is running, it acquires waveform data according to its current settings. Acquisition runs repetitively until the oscilloscope receives a :STOP command, or until there is only one acquisition if Trigger Sweep is set to Single.

---

**Example** This example causes the oscilloscope to acquire data repetitively.

```
10 OUTPUT 707; ":RUN"  
20 END
```

---

---

## SERial (Serial Number)

**Command**           :SERial {<serial\_number>}

The :SERial command sets the serial number of the oscilloscope. A serial number was entered in your oscilloscope by Agilent Technologies before it was shipped to you. Therefore, setting the serial number is not normally required unless the oscilloscope is serialized for a different application.

The oscilloscope's serial number is part of the string returned for the \*IDN? query described in the Common Commands chapter.

<serial\_number> A ten-character alphanumeric serial number enclosed with quotation marks.

---

**Example**           This example sets the serial number for the oscilloscope to "US12345678".

```
10 OUTPUT 707;":SERIAL "US12345678""
20 END
```

---

**Query**            :SERial?

The query returns the current serial number string for the oscilloscope.

**Returned Format**   [:SERial] US12345678

---

**Example**           This example places the serial number for the oscilloscope in the string variable Serial?, then prints the contents of the variable to the computer's screen.

```
10 Dim Serial$[50]!Dimension variable
20 OUTPUT 707;":SERIAL?"
30 ENTER 707; Serial$
40 PRINT SERIAL$
50 END
```

---

---

## SINGle

**Command**           : SINGle

The :SINGle command causes the oscilloscope to make a single acquisition when the next trigger event occurs.

---

**Example**            This example sets up the oscilloscope to make a single acquisition when the next trigger event occurs.

```
10  OUTPUT 707; " :SINGLE "  
20  END
```

---

**See Also**           :TRIGger:SWEep AUTO|TRIGgered|SINGle for how to turn the single sweep off.

---

## STATus?

### Query

```
:STATus? {CHANnel<N> | BUS<L> | DIGital |  
DIGital<M> | FUNction<N> | HISTogram |  
POD<L>} | WMEMory<N>}
```

The :STATus? query shows whether the specified channel, function, wmemory, histogram, digital subsystem, digital channel, digital pod, or digital bus is on or off. A return value of 1 means on and a return value of 0 means off. Digital channels will only be displayed on screen if the digital subsystem is on.

<N> An integer, 1 - 4

<M> DIGital<M> is an integer 0-15 for MSO Infiniium Oscilloscopes.

<L> POD<L> and BUS<L> is an integer 1-2 for MSO Infiniium Oscilloscopes.

### Returned Format

```
[ :STATus] {0 | 1}<NL>
```

---

### Example

This example returns and prints the current status of channel 1.

```
10 OUTPUT 707; ":STATUS? CHANNEL1 "  
30 ENTER 707;Current$  
40 PRINT Current$  
50 END
```

---



---

## STOP

**Command**           :STOP

The :STOP command causes the oscilloscope to stop acquiring data. To restart the acquisition, use the :RUN or :SINGLE command.

---

**Example**           This example stops the current data acquisition.

```
10  OUTPUT 707; ":STOP"  
20  END
```

---

---

## STORe:SETup

**Command**                   :STORe:SETup <setup\_memory\_num>

<setup\_memory\_num> Setup memory number, an integer, 0 through 9.  
The :STORe:SETup command saves the current oscilloscope setup in one of the setup memories.

---

**Example**                   This example stores the current oscilloscope setup to setup memory 0.

```
10 OUTPUT 707; ":STORe:SETUP 0"  
20 END
```

---

---

## STORe:WAVeform

**Command**                    :STORe:WAVeform {{CHANnel<N> | FUNction<N> |  
WMEMory<N>}, {WMEMory<N>}}

<N> An integer, 1 - 4

The :STORe:WAVeform command copies a channel, function, or stored waveform to a waveform memory. The parameter preceding the comma specifies the source and can be any channel, function, or waveform memory. The parameter following the comma is the destination, and can be any waveform memory.

The WAVeform:VIEW command determines how much data is stored. If you select ALL, all of the data in the waveform record is referenced. If you select MAIN, only the data in the main time base range is referenced. The first value corresponds to the first time bucket in the main time base range, and the last value corresponds to the last time bucket in the main time base range. If WINDow is selected, only data in the delayed view is referenced. The first value corresponds to the first time bucket in the delayed view and the last value corresponds to the last time bucket in the delayed view.

---

### Example

This example copies channel 1 to waveform memory 3.

```
10  OUTPUT 707; ":STORe:WAVeFORM CHANNEL1,WMEMORY3"
20  END
```

---

---

## TER? (Trigger Event Register)

**Query** :TER?

The :TER? query reads the Trigger Event Register. A “1” is returned if a trigger has occurred. A “0” is returned if a trigger has not occurred. The autotrigger does not set this register. The register is set to a value of 1 only when the waveform meets the trigger criteria.

**Returned Format** {1 | 0}<NL>

---

### Example

This example checks the current status of the Trigger Event Register, places the status in the string variable, Current\$, then prints the contents of the variable to the computer's screen.

```
10 DIM Current$[50]!Dimension variable
20 OUTPUT 707;" :TER?"
30 ENTER 707;Current$
40 PRINT Current$
50 END
```

---

Once this bit is set, you can clear it only by reading the register with the :TER? query, or by sending a \*CLS common command. After the Trigger Event Register is read, it is cleared.

---

## VIEW

**Command**           :VIEW {BUS1 | BUS2 | CHANnel<N> | FUNction<N> | HISTogram | WMEMory<N> | <channel\_list> | <digital\_channel> | POD1 | POD2}

The :VIEW command turns on a channel, function, histogram, waveform memory, or digital channel.

<N> An integer, 1 - 4

<channel\_list> The channel range is from 0 to 15 in the following format.

**(@1,5,7,9)       channels 1, 5, 7, and 9 are turned on.**

**(@1:15)         channels 1 through 15 are turned on.**

**(@1:5,8,14)     channels 1 through 5, channel 8, and channel 14 are turned on.**

<digital\_channel> The digital channels are only available on the MSO oscilloscopes and can be DIGital0 through DIGital15

POD1 Bits 0 through 7 are turned on.

POD2 Bits 8 through 15 are turned on.

---

**Example**           This example turns on channel 1.

```
10 OUTPUT 707; ":VIEW CHANNEL1"
20 END
```

---

**See Also**           The :BLANk command turns off a channel, function, histogram, digital channel, or waveform memory.





---

# Self Test Commands

The SELFtest subsystem commands set up the self test dialog and run the oscilloscope's self tests.

<b>Enclose File Name in Quotation Marks</b>
---

<b>When specifying a file name, you must enclose it in quotation marks.</b>
---

These SELFtest commands and queries are implemented in the Infinium Oscilloscopes:

- CANCEL
- SCOPETEST



---

## CANCel

**Command**           :SELFtest:CANCel

The :SELFtest:CANCel command stops the currently running selftest.

---

**Example**           This example stops the currently running selftest.

```
10 OUTPUT 707; " :SELF:CANC "
20 END
```

---

---

## SCOPETEST

**Command** :SELftest:SCOPETEST

The :SELftest:SCOPETEST command brings up the self-test dialog in customer self-test mode (Service Extensions Off) and runs the test, "Scope Self Tests." Use the :SELftest:SCOPETEST? query to determine the status of the test.

---

**Example** This example brings up the self-test dialog and runs the oscilloscope self-tests.

```
10 OUTPUT 707;" :SELF:SCOPETEST"  
20 END
```

---

**Query** :SELftest:SCOPETEST?

**Returned Format** [:SELftest:SCOPETEST] <test\_name>,<test\_status>,<time\_stamp><NL>

<test_status>	Status Description
<b>FAILED</b>	<b>Test completed and failed.</b>
<b>PASSED</b>	<b>Test completed and passed.</b>
<b>WARNING</b>	<b>Test passed but warning message was issued.</b>
<b>CANCELLED</b>	<b>Test was cancelled by user.</b>
<b>NODATA</b>	<b>Self-tests have not been executed on this instrument.</b>
<b>INPROGRESS</b>	<b>Test is in progress.</b>

<test\_name> A string as follows: "Scope Self Tests".

<time\_stamp> The time stamp follows the test name and test status, and is the part of the returned string that includes the date and time, in the format: "29 AUG 2001 10:13:35".

---

**Example** This example places the current status of the self-test in the string variable, Txt\$, then prints the contents of the variable to the computer's screen.

```
10 DIM Txt${64}  
20 OUTPUT 707;" :SELF:SCOPETEST?"  
30 ENTER 707;Txt$  
40 PRINT Txt$  
50 END
```

---



---

# System Commands

SYSTEM subsystem commands control the way query responses are formatted, send and receive setup strings, and enable reading and writing to the advisory line of the oscilloscope. You can also set and read the date and time in the oscilloscope using the SYSTEM subsystem commands.

These SYSTEM commands and queries are implemented in the Infiniium Oscilloscopes:

- DATE
- DEBug
- DSP
- ERRor?
- HEADer
- LOCK
- LONGform
- PRESet
- SETup
- TIME

---

## DATE

**Command**                   :SYSTem:DATE <day>, <month>, <year>

The :SYSTem:DATE command sets the date in the oscilloscope, and is not affected by the \*RST common command.

<year> Specifies the year in the format <yyyy> | <yy>. The values range from 1992 to 2035.

<month> Specifies the month in the format <1, 2, . . . 12> | <JAN, FEB, MAR . . .>.

<day> Specifies the day in the format <1 . . . 31>.

---

**Example**                   This example sets the date to July 1, 1997.

```
10 OUTPUT 707; ":SYSTEM:DATE 1,7,97"  
20 END
```

---

**Query**                    :SYSTem:DATE?

The :SYSTem:DATE? query returns the current date in the oscilloscope.

**Returned Format**       [:SYSTem:DATE] <day> <month> <year><NL>

---

**Example**                   This example queries the date.

```
10 DIM Date$ [50]  
20 OUTPUT 707; ":SYSTEM:DATE?"  
30 ENTER 707; Date$  
40 PRINT Date$
```

---

## DEBug

**Command**           :SYSTem:DEBug {{ON|1} [, <output\_mode> [, "<file\_name>"  
[, <create\_mode>]]] | {OFF|0}}

The :SYSTem:DEBug command turns the debug mode on and off. This mode enables the tracing of incoming GPIB commands. If you select CREate mode, a new file is created, and/or an existing file is overwritten. If you select APPend mode, the information is appended to an existing file. The :SYSTem:DEBug command shows any header and/or parameter errors.

The default create mode is CREate, the default output mode is FileSCReen, and the default file name is c:\scope\data\debug.txt. In debug mode, the File View button lets you view the current debug file, or any other debug file. This is a read-only mode.

<output\_mode> {FILE | SCReen | FileSCReen}

<file\_name> An MS-DOS compatible name of the file, a maximum of 254 characters long (including the path name, if used). The file name assumes the present working directory if a path does not precede the file name.

<create\_mode> {CREate | APPend}

---

### Examples

This example turns on the debug/trace mode and creates a debug file.

```
10 OUTPUT 707; :SYSTEM:DEBUG ON, FILE,  
    "C:\scope\data\pacq8xx.txt", CREATE"  
20 END
```

The created file resembles:

```
Debug information file C:\scope\data\pacq8xx.txt  
Date:  1 NOV 2001  
Time:  09:59:35  
Model: 54830B  
Serial#: sn ?  
>:syst:err? string$<NL>  
<:SYSTEM:ERROR 0, "No error"$  
>:ACquire:BEST FLATness$<NL>  
?      ^  
?-113, Undefined header  
>:syst:err? string$<NL>  
<:SYSTEM:ERROR -113, "Undefined header"$  
>:syst:err? string$<NL>  
<:SYSTEM:ERROR 0, "No error"$
```

This example appends information to the debug file.

```
10 OUTPUT 707;":SYSTEM:DEBUG ON,FILE,
   "C:\scope\data\pacq8xx.txt",APPEND"
20 END
```

After appending information, the file resembles:

```
Debug information file C:\scope\data\pacq8xx.txt
Date:  1 NOV 2001
Time:  09:59:35
Model: 54830B
Serial#: sn ?
>:syst:err? string$<NL>
<:SYSTEM:ERROR 0,"No error"$
>:ACQuire:BEST FLATness$<NL>
?      ^
?-113, Undefined header
>:syst:err? string$<NL>
<:SYSTEM:ERROR -113,"Undefined header"$
>:syst:err? string$<NL>
<:SYSTEM:ERROR 0,"No error"$
```

```
Debug information file C:\scope\data\pacq8xx.txt appended
Date:  1 NOV 2001
Time:  10:10:35
Model: 54830B
Serial#: sn ?
>:syst:err? string$<NL>
<:SYSTEM:ERROR 0,"No error"$
>:ACQuire:BEST FLATness$<NL>
?      ^
?-113, Undefined header
>:syst:err? string$<NL>
<:SYSTEM:ERROR -113,"Undefined header"$
```

---

**Query**                   :SYSTem:DEBug?

The :SYSTem:DEBug? query returns the current debug mode settings.

**Returned Format**       [:SYSTem:DEBug]    {{1,<output\_mode>,"<file\_name>",  
                          <create\_mode>} | 0} <NL>

---

## DSP

**Command**           :SYSTem:DSP "<string>"

The :SYSTem:DSP command writes a quoted string, excluding quotation marks, to the advisory line of the instrument display. If you want to clear a message on the advisory line, send a null (empty) string.

<string> An alphanumeric character array up to 89 bytes long.

---

**Example**           This example writes the message, "Test 1" to the advisory line of the oscilloscope.

```
10  OUTPUT 707;":SYSTEM:DSP ""Test 1""
20  END
```

---

**Query**             :SYSTem:DSP?

The :SYSTem:DSP? query returns the last string written to the advisory line. This may be a string written with a :SYSTem:DSP command, or an internally generated advisory.

The string is actually read from the message queue. The message queue is cleared when it is read. Therefore, the displayed message can only be read once over the bus.

**Returned Format**   [:SYSTem:DSP] <string><NL>

---

**Example**           This example places the last string written to the advisory line of the oscilloscope in the string variable, Advisory\$. Then, it prints the contents of the variable to the computer's screen.

```
10  DIM Advisory$[89]!Dimension variable
20  OUTPUT 707;":SYSTEM:DSP?"
30  ENTER 707;Advisory$
40  PRINT Advisory$
50  END
```

---



---

## ERRor?

**Query**                   :SYSTem:ERRor? [{NUMBER | STRing}]

The :SYSTem:ERRor? query outputs the next error number in the error queue over the GPIB. When either NUMBER or no parameter is specified in the query, only the numeric error code is output. When STRing is specified, the error number is output followed by a comma and a quoted string describing the error. Table 30-1 lists the error numbers and their corresponding error messages.

**Returned Format**     [:SYSTem:ERRor] <error\_number>[, <quoted\_string>]<NL>

<error\_number>   A numeric error code.

<quoted\_string>   A quoted string describing the error.

---

### Example

This example reads the oldest error number and message in the error queue into the string variable, Condition\$, then prints the contents of the variable to the computer's screen.

```
10 DIM Condition$[64]!Dimension variable
20 OUTPUT 707;":SYSTem:ERRor? STRING"
30 ENTER 707;Condition$
40 PRINT Condition$
50 END
```

---

Infiniium Oscilloscopes have an error queue that is 30 errors deep and operates on a first-in, first-out (FIFO) basis. Successively sending the :SYSTem:ERRor? query returns the error numbers in the order that they occurred until the queue is empty. When the queue is empty, this query returns headers of 0, "No error." Any further queries return zeros until another error occurs. Note that front-panel generated errors are also inserted in the error queue and the Event Status Register.

**Send \*CLS Before Other Commands or Queries**

**Send the \*CLS common command to clear the error queue and Event Status Register before you send any other commands or queries.**

### See Also

The "Error Messages" chapter for more information on error messages and their possible causes.

---

## HEADer

**Command**           :SYSTem:HEADer {{ON|1} | {OFF|0}}

The :SYSTem:HEADer command specifies whether the instrument will output a header for query responses. When :SYSTem:HEADer is set to ON, the query responses include the command header.

---

**Example**           This example sets up the oscilloscope to output command headers with query responses.

```
10 OUTPUT 707; ":SYSTem:HEADer ON"  
20 END
```

---

**Query**             :SYSTem:HEADer?

The :SYSTem:HEADer? query returns the state of the :SYSTem:HEADer command.

**Returned Format**   [:SYSTem:HEADer] {1|0}<NL>

---

**Example**

This example examines the header to determine the size of the learn string. Memory is then allocated to hold the learn string before reading it. To output the learn string, the header is sent, then the learn string and the EOF.

```
10 DIM Header$[64]
20 OUTPUT 707;"syst:head on"
30 OUTPUT 707;":syst:set?"
40 More_chars: !
50 ENTER 707 USING "#,A";This_char$
60 Header$=Header$&This_char$
70 IF This_char$<>"#" THEN More_chars
80 !
90 ENTER 707 USING "#,D";Num_of_digits
100 ENTER 707 USING "#,&VAL$(Num_of_digits)&"D";Set_size
110 Header$=Header$&"#&VAL$(Num_of_digits)&VAL$(Set_size)
120 !
130 ALLOCATE INTEGER Setup(1:Set_size)
140 ENTER 707 USING "#,B";Setup(*)
150 ENTER 707 USING "#,A";Eof$
160 !
170 OUTPUT 707 USING "#,-K";Header$
180 OUTPUT 707 USING "#,B";Setup(*)
190 OUTPUT 707 USING "#,A";Eof$
200 END
```

---

## LOCK

**Command**           :SYSTem:LOCK {{ON|1} | {OFF|0}}

The :SYSTem:LOCK ON command puts the oscilloscope into the full screen mode and disables the front panel. The front panel can be re-enabled by send the :SYSTem:LOCK OFF command or by using the mouse to click on the Graphic Interface button in the upper right-hand corner of the oscilloscope screen.

---

**Example**           This example disables the oscilloscope's front panel.

```
10 OUTPUT 707; ":SYSTem:LOCK ON"  
20 END
```

---

**Query**             :SYSTem:LOCK?

The :SYSTem:LOCK? query returns the state of the :SYSTem:LOCK command.

**Returned Format**   [:SYSTem:LOCK] {1|0}<NL>

---

## LONGform

**Command**                   :SYSTem:LONGform {{ON|1} | {OFF|0}}

The :SYSTem:LONGform command specifies the format for query responses. If the LONGform is set to OFF, command headers and alpha arguments are sent from the oscilloscope in the short form (abbreviated spelling). If LONGform is set to ON, the whole word is output.

---

**Example**                   This example sets the format for query responses from the oscilloscope to the short form (abbreviated spelling).

```
10 OUTPUT 707;":SYSTEM:LONGFORM OFF"  
20 END
```

---

**Query**                     :SYSTem:LONGform?

The :SYSTem:LONGform? query returns the current state of the :SYSTem:LONGform command.

**Returned Format**       [:SYSTem:LONGform] {1|0}<NL>

## System Commands

### LONGform

---

#### Example

This example checks the current format for query responses from the oscilloscope, and places the result in the string variable, Result\$. Then, it prints the contents of the variable to the computer's screen.

```
10 DIM Result$[50]!Dimension variable
20 OUTPUT 707;":SYSTEM:LONGFORM?"
30 ENTER 707;Result$
40 PRINT Result$
50 END
```

---

#### **LONGform Does Not Affect Input Headers and Arguments**

**LONGform has no effect on input headers and arguments sent to the instrument. You may send headers and arguments to the oscilloscope in either the long form or short form, regardless of the current state of the :SYSTem:LONGform command.**

---

## SETup

**Command**                   :SYSTem:SETup <binary\_block\_data>

The :SYSTem:SETup command sets up the oscilloscope as defined by the data in the setup string from the computer.

<binary\_block\_data>   A string, consisting of bytes of setup data. The number of bytes is a dynamic number that is read and allocated by oscilloscope's software.

---

**Example**                   This example sets up the instrument as defined by the setup string stored in the variable, Set\$.

```
10  OUTPUT 707 USING "#,-K";":SYSTem:SETUP ";Set$
20  END
```

### HP BASIC Image Specifiers

**# is an HP BASIC image specifier that suppresses the automatic output of the EOI sequence following the last output item.**

**K is an HP BASIC image specifier that outputs a number or string in standard form with no leading or trailing blanks.**

---

**Query**                    :SYSTem:SETup?

The :SYSTem:SETup? query outputs the oscilloscope's current setup to the computer in binary block data format as defined in the IEEE 488.2 standard.

**Returned Format**       [:SYSTem:SETup] #NX...X<setup\_data\_string><NL>

The first character in the setup data string is a number added for disk operations.

## System Commands

### SETup

---

#### Example

This example stores the current oscilloscope setup in the string variable, Set\$.

```
10 DIM Set$[15000]!Dimension variable
20 OUTPUT 707;":SYSTEM:HEADER OFF"!Response headers off
30 OUTPUT 707;":SYSTEM:SETUP?"
40 ENTER 707 USING "-K";Set$
50 END
```

#### HP BASIC Image Specifiers

**-K is an HP BASIC image specifier which places the block data in a string, including carriage returns and line feeds, until EOI is true, or the dimensioned length of the string is reached.**

#### :SYSTEM:SETup Can Operate Just Like \*LRN?

**When headers and LONGform are on, the :SYSTEM:SETup? query operates the same as the \*LRN? query in the common commands. Otherwise, \*LRN? and :SYSTEM:SETup are not interchangeable.**



---

## TIME

**Command**           :SYSTem:TIME <hour>,<minute>,<second>

The :SYSTem:TIME command sets the time in the oscilloscope and is not affected by the \*RST common command.

<hour> 0..23  
<minute> 0..59  
<second> 0..59

---

**Example**           This example sets the oscilloscope time to 10:30:45 a.m.

```
10  OUTPUT 707; ":SYSTEM:TIME 10,30,45"  
20  END
```

---

**Query**             :SYSTem:TIME?

The :SYSTem:TIME? query returns the current time in the oscilloscope.

**Returned Format**   [:SYSTem:TIME] <hour>,<minute>,<second>





---

# Time Base Commands

The TIMEbase subsystem commands control the horizontal (X axis) oscilloscope functions. These TIMEbase commands and queries are implemented in the Infiniium Oscilloscopes:

- POSition
- RANGE
- REFerence
- ROLL:ENABLE
- SCALE
- VIEW
- WINDow:DELay
- WINDow:POSition
- WINDow:RANGE
- WINDow:SCALE

---

## POSition

**Command**                   :TIMEbase:POSition <position\_value>

The :TIMEbase:POSition command sets the time interval between the trigger event and the delay reference point. The delay reference point is set with the :TIMEbase:REFerence command.

<position\_value> A real number for the time in seconds from trigger to the delay reference point. The maximum value depends on the time/division setting.

---

**Example**                   This example sets the delay position to 2 ms.

```
10 OUTPUT 707; ":TIMEBASE:POSITION 2E-3"
20 END
```

---

**Query**                     :TIMEbase:POSition?

The :TIMEbase:POSition? query returns the current delay value in seconds.

**Returned Format**       [:TIMEbase:POSition] <position\_value><NL>

---

**Example**                   This example places the current delay value in the numeric variable, Value, then prints the contents of the variable to the computer's screen.

```
10 OUTPUT 707; ":SYSTEM:HEADER OFF"!Response headers off
20 OUTPUT 707; ":TIMEBASE:POSITION?"
30 ENTER 707;Value
40 PRINT Value
50 END
```

---

## RANGe

**Command**           :TIMebase:RANGe <full\_scale\_range>

The :TIMebase:RANGe command sets the full-scale horizontal time in seconds. The range value is ten times the time-per-division value.

<full\_scale\_range> A real number for the horizontal time, in seconds.

---

**Example**           This example sets the full-scale horizontal range to 10 ms.

```
10  OUTPUT 707; ":TIMEBASE:RANGE 10E-3"
20  END
```

---

**Query**             :TIMebase:RANGe?

The :TIMebase:RANGe? query returns the current full-scale horizontal time.

**Returned Format**   [:TIMebase:RANGe] <full\_scale\_range><NL>

---

**Example**           This example places the current full-scale horizontal range value in the numeric variable, Setting, then prints the contents of the variable to the computer's screen.

```
10  OUTPUT 707; ":SYSTEM:HEADER OFF"!Response headers off
20  OUTPUT 707; ":TIMEBASE:RANGE?"
30  ENTER 707;Setting
40  PRINT Setting
50  END
```

---

---

## REFerence

**Command**                   :TIMEbase:REFerence {LEFT | CENTer | RIGHT}

The :TIMEbase:REFerence command sets the delay reference to the left, center, or right side of the display.

---

**Example**                   This example sets the delay reference to the center of the display.

```
10 OUTPUT 707; ":TIMEBASE:REFERENCE CENTER"
20 END
```

---

**Query**                     :TIMEbase:REFerence?

The :TIMEbase:REFerence? query returns the current delay reference position.

**Returned Format**       [:TIMEbase:REFerence] {LEFT | CENTer | RIGHT}<NL>

---

**Example**                   This example places the current delay reference position in the string variable, Setting\$, then prints the contents of the variable to the computer's screen.

```
10 DIM Setting$[50]!Dimension variable
20 OUTPUT 707; ":TIMEBASE:REFERENCE?"
30 ENTER 707;Setting
40 PRINT Setting
50 END
```

---

---

## ROLL:ENABLE

**Command**                   :TIMEbase:ROLL:ENABLE {{ON | 1} | {OFF | 0}}

The :TIMEbase:ROLL:ENABLE command enables or disables the roll mode feature.

---

**Example**                    This example turns on the roll mode.

```
10 OUTPUT 707; ":TIMEBASE:ROLL:ENABLE ON"
20 END
```

---

**Query**                     :TIMEbase:ROLL:ENABLE?

The :TIMEbase:ROLL:ENABLE? query returns the current state of the roll mode enable control.

**Returned Format**       [:TIMEbase:ROLL:ENABLE] {1 | 0}<NL>

---

**Example**                    This example places the current value of the roll mode enable control in the variable, Setting, then prints the contents of the variable to the computer's screen.

```
10 OUTPUT 707; ":SYSTEM:HEADER OFF"!Response headers off
20 OUTPUT 707; ":TIMEBASE:ROLL:ENABLE?"
30 ENTER 707;Setting
40 PRINT Setting
50 END
```

---



---

## SCALE

**Command**                   :TIMEbase:SCALE <time>

The :TIMEbase:SCALE command sets the time base scale. This corresponds to the horizontal scale value displayed as time/div on the oscilloscope screen.

<time> A real number for the time value, in seconds per division.

---

**Example**                   This example sets the scale to 10 ms/div.

```
10  OUTPUT 707;":TIMEBASE:SCALE 10E-3"
20  END
```

---

**Query**                     :TIMEbase:SCALE?

The :TIMEbase:SCALE? query returns the current scale time setting.

**Returned Format**       [:TIMEbase:SCALE] <time><NL>

---

**Example**                   This example places the current scale value in the numeric variable, Setting, then prints the contents of the variable to the computer's screen.

```
10  OUTPUT 707;":SYSTEM:HEADER OFF"!Response headers off
20  OUTPUT 707;":TIMEBASE:SCALE?"
30  ENTER 707;Setting
40  PRINT Setting
50  END
```

---

---

**VIEW**

**Command**                   :TIMEbase:VIEW {MAIN | WINDow}

The :TIMEbase:VIEW command turns the delayed displayed view on and off. This is the same as using the front panel Delayed button.

---

**Example**                   This example turns the delayed view on.

```
10  OUTPUT 707; ":TIMEBASE:VIEW WINDOW"  
20  END
```

---

**Query**                    :TIMEbase:VIEW?

The :TIMEbase:VIEW? query returns Infiniium's current view.

**Returned Format**       [:TIMEbase:VIEW] {MAIN | WINDow}<NL>

---

**Example**                   This example places the current view in the string variable, State\$, then prints the contents of the variable to the computer's screen.

```
10  DIM State$[50]!Dimension variable  
20  OUTPUT 707; ":TIMEBASE:VIEW?"  
30  ENTER 707;State$  
40  PRINT State$  
50  END
```

---

---

## WINDow:DELay

**Command**                   :TIMEbase:WINDow:DELay <delay\_value>

The :TIMEbase:WINDow:DELay sets the horizontal position in the delayed view of the main sweep. The range for this command is determined by the main sweep range and the main sweep horizontal position. The value for this command must keep the time base window within the main sweep range.

**This Command is Provided for Compatibility**

**This command has the same function as the :TIMEbase:WINDow:POSition command, and is provided for compatibility with programs written for previous oscilloscopes. The preferred command for compatibility with Infiniium Oscilloscopes is :TIMEbase:WINDow:POSition.**

<delay\_value> A real number for the time in seconds from the trigger event to the delay reference point. The maximum position depends on the main sweep range and the main sweep horizontal position.

---

**Example**                   This example sets the time base window delay position to 20 ns.

```
10  OUTPUT 707; ":TIMEBASE:WINDOW:DELAY 20E-9"  
20  END
```

---

## Time Base Commands

### WINDow:DELAy

**Query**                   :TIMEbase:WINDow:DELAy?

The :TIMEbase:WINDow:DELAy? query returns the current horizontal position in the delayed view.

**Returned Format**       [:TIMEbase:WINDow:DELAy] <delay\_position><NL>

---

**Example**                This example places the current horizontal position in the delayed view in the numeric variable, Setting, then prints the contents of the variable to the computer's screen.

```
10 OUTPUT 707;":SYSTEM:HEADER OFF"!Response headers off
20 OUTPUT 707;":TIMEBASE:WINDOW:DELAY?"
30 ENTER 707;Setting
40 PRINT Setting
50 END
```

---

**See Also**             The :TIMEbase:WINDow:POSition command performs the same function as this command and should be used in new programs.

---

## WINDow:POSition

**Command** `:TIMEbase:WINDow:POSition <position_value>`

The :TIMEbase:WINDow:POSition sets the horizontal position in the delayed view of the main sweep. The range for this command is determined by the main sweep range and the main sweep horizontal position. The value for this command must keep the time base window within the main sweep range.

<position\_value> A real number for the time in seconds from the trigger event to the delay reference point. The maximum position depends on the main sweep range and the main sweep horizontal position.

---

**Example** This example sets the time base window delay position to 20 ns.

```
10 OUTPUT 707;":TIMEBASE:WINDOW:POSITION 20E-9"
20 END
```

---

**Query** `:TIMEbase:WINDow:POSition?`

The :TIMEbase:WINDow:POSition? query returns the current horizontal position in the delayed view.

**Returned Format** `[:TIMEbase:WINDow:POSition] <position_value><NL>`

---

**Example** This example places the current horizontal position in the delayed view in the numeric variable, Setting, then prints the contents of the variable to the computer's screen.

```
10 OUTPUT 707;":SYSTEM:HEADER OFF"!Response headers off
20 OUTPUT 707;":TIMEBASE:WINDOW:POSITION?"
30 ENTER 707;Setting
40 PRINT Setting
50 END
```

---

---

## WINDow:RANGe

**Command** `:TIMebase:WINDow:RANGe <full_scale_range>`

The :TIMebase:WINDow:RANGe command sets the full-scale range of the delayed view. The range value is ten times the time per division of the delayed view. The maximum range of the delayed view is the current main range. The minimum delayed view range is 10 ps (1 ps/div).

<full\_scale\_range> A real number for the full-scale range of the time base window, in seconds.

---

**Example** This example sets the full-scale range of the delayed view to 100 ns.

```
10 OUTPUT 707; ":TIMEBASE:WINDOW:RANGE 100E-9"
20 END
```

---

**Query** `:TIMebase:WINDow:RANGe?`

The :TIMebase:WINDow:RANGe? query returns the current full-scale range of the delayed view.

**Returned Format** `[:TIMebase:WINDow:RANGe] <full_scale_range><NL>`

---

**Example** This example reads the current full-scale range of the delayed view into the numeric variable, Value, then prints the contents of the variable to the computer's screen.

```
10 OUTPUT 707; ":SYSTEM:HEADER OFF"!Response headers off
20 OUTPUT 707; ":TIMEBASE:WINDOW:RANGE?"
30 ENTER 707;Value
40 PRINT Value
50 END
```

---

---

## WINDow:SCALE

**Command**                   :TIMEbase:WINDow:SCALE <time>

The :TIMEbase:WINDow:SCALE command sets the time/div in the delayed view. This command rescales the horizontal components of displayed waveforms.

<time> A real number for the delayed windows scale.

---

**Example**                   This example sets the scale of the time base window to 2 milliseconds/div.

```
10  OUTPUT 707; " :TIMEBASE:WINDOW:SCALE 2E-3 "  
20  END
```

---

**Query**                     :TIMEbase:WINDow:SCALE?

The :TIMEbase:WINDow:SCALE? query returns the scaled window time, in seconds/div.

**Returned Format**       [:TIMEbase:WINDow:SCALE] <time><NL>







---

# Trigger Commands

The oscilloscope trigger circuitry helps you locate the waveform you want to view. There are several different types of triggering, but the one that is used most often is edge triggering. Edge triggering identifies a trigger condition by looking for the slope (rising or falling) and voltage level (trigger level) on the source you select. Any input channel, auxiliary input trigger (only in 4-channel oscilloscopes), line, or external trigger (only in 2-channel oscilloscopes) can be used as the trigger source.

The commands in the TRIGger subsystem define the conditions for triggering. Many of the commands in the TRIGger subsystem are used in more than one of the trigger modes. The command set has been defined to closely represent the front-panel trigger menus. As a trade-off, there may be less compatibility between Infiniium Oscilloscopes and command sets for previous oscilloscopes. Infiniium Oscilloscopes still accept some commands for compatibility with previous instruments. An alternative command that is accepted by the oscilloscope is noted for a particular command.

These TRIGger commands and queries are implemented in the Infiniium Oscilloscopes:

- :HOLDoff
- :HYSTeresis
- :LEVel
- :SWEep
  
- :MODE {EDGE | GLITCh | ADVanced}
  
- :EDGE {;SLOPe | :SOURce | :COUPling}
- :GLITCh {;POLarity | :SOURce | :WIDTh}
- :ADVanced:MODE {DELay | PATTern | STATe | TV | VIOLation}
- :ADVanced:MODE COMM
- :ADVanced:COMM:{BWIDth | ENCode | LEVel | PATTern | POLarity | SOURce}
- :ADVanced:MODE DELay

- :ADVanced:DELAy
- :ADVanced:DELAy:MODE {EDLY | TDLY}
- :ADVanced:MODE PATTeRn
- :ADVanced:PATTeRn {:CONDItion | :LOGic | :THReShold}
- :ADVanced:MODE STATe
- :ADVanced:STATe {:CLOCK | :CONDItion | :LOGic | :SLOPe | :THReShold}
- :ADVanced:MODE TV
- :ADVanced:TV
- :ADVanced:TV:MODE {L525 | L625 | UDTV}

- :ADVanced:MODE VIOLation
- :ADVanced:VIOLation (See the following list.)

The :TRIGger:ADVanced:VIOLation modes and commands described in this chapter include:

- :VIOLation:MODE SETup
- :VIOLation:SETup:MODE SETup
- :VIOLation:SETup:SETup:CSOurce
- :VIOLation:SETup:SETup:CSOurce:LEVel
- :VIOLation:SETup:SETup:CSOurce:EDGE
- :VIOLation:SETup:SETup:DSOurce
- :VIOLation:SETup:SETup:DSOurce:LTHReShold
- :VIOLation:SETup:SETup:DSOurce:HTHReShold
- :VIOLation:SETup:SETup:TIME
- :VIOLation:SETup:MODE HOLD
- :VIOLation:SETup:HOLD:CSOurce
- :VIOLation:SETup:HOLD:CSOurce:LEVel
- :VIOLation:SETup:HOLD:CSOurce:EDGE
- :VIOLation:SETup:HOLD:DSOurce
- :VIOLation:SETup:HOLD:DSOurce:LTHReShold
- :VIOLation:SETup:HOLD:DSOurce:HTHReShold
- :VIOLation:SETup:HOLD:TIME
- :VIOLation:SETup:MODE SHOLd

- :VIOLation:SETup:SHOLd:CSource
  - :VIOLation:SETup:SHOLd:CSource:LEVel
  - :VIOLation:SETup:SHOLd:CSource:EDGE
  - :VIOLation:SETup:SHOLd:DSource
  - :VIOLation:SETup:SHOLd:DSource:LTHReshold
  - :VIOLation:SETup:SHOLd:DSource:HTRReshold
  - :VIOLation:SETup:SHOLd:SetupTIME
  - :VIOLation:SETup:SHOLd:HoldTIME
- 
- :VIOLation:MODE TRANSition
  - :VIOLation:TRANSition:SOURce
  - :VIOLation:TRANSition:TYPE
  - :VIOLation:TRANSition:GTHan
  - :VIOLation:TRANSition:LTHan
- 
- :VIOLation:MODE PWIDth
  - :VIOLation:PWIDth:SOURce
  - :VIOLation:PWIDth:POLarity
  - :VIOLation:PWIDth:DIRection
  - :VIOLation:PWIDth:WIDTh

---

# Organization of Trigger Modes and Commands

The trigger modes are summarized in the next section. In addition, each mode is described before its set of commands in the following sections.

These general trigger commands are described first.

- HOLDoff
- HYSTeresis
- LEVel
- SWEep

The following sections in this chapter describe the individual trigger modes and commands, and are organized in this order:

- EDGE
- GLITCh
- ADVanced
  - COMM
  - DELay
  - PATTern
  - STATe
  - TV
  - VIOLation

---

## Summary of Trigger Modes and Commands

Make sure the oscilloscope is in the proper trigger mode for the command you want to send. One method of ensuring that the oscilloscope is in the proper trigger mode is to send the :TRIGger:MODE command in the same program message as the parameter to be set.

For example, these commands place the instrument in the advanced triggering mode you select:

```
:TRIGger:MODE ADVanced  
:TRIGger:ADVanced:MODE <Advanced_trigger_mode>
```

<Advanced\_trigger\_mode> Advanced trigger modes include COMM, DELay, PATtern, STATe, TV, and VIOLation. Each mode is described with its command set in this chapter.

### **Summary of Trigger Commands**

The following table lists the TRIGger subsystem commands that are available for each trigger mode.

Table 30-1

**Valid Commands for Specific Trigger Modes**

Main Level	EDGE	GLITCh
HOLDoff	COUPLing	POLarity
HTHRshold	SLOPe	SOURce
HYSTeresis	SOURce	WIDTh
LEVel		
LTHRshold		
MODE		
SWEep		

**Advanced Triggering Modes and Commands**

COMM	DELaY	PATTeRn	STATe	TV	VIOLation
BWIDth	MODE	CONDition	CLOCK	MODE	MODE
ENCode	EDLY	LOGic	CONDition	{L525   L625   UDTV}	PWIDth
LEVel	ARM	THReShold	LOGic	STV	SETup
PATTeRn	EVENT		SLOPe	FIELD	TRANsition
POLarity	TRIGger		THReShold	LINE	
SOURce	TDLY			SOURce	
	ARM			SPOLarity	
	DELaY			UDTV	
	TRIGger			ENUMber	
				PGTHan	
				POLarity	
				SOURce	

(See the :TRIGger:ADVanced:VIOLation commands in this chapter for descriptions of the various violation modes and commands.)

**Use :TRIGger:SWEep to Select Sweep Mode**

Select the Infiniium Oscilloscope's Auto, Triggered, or Single Sweep mode with :TRIGger:SWEep {AUTO | TRIGgered | SINGLE}.

---

## Trigger Modes

**Command** `:TRIGger:MODE {EDGE | GLITCh | ADVanced}`

The `:TRIGger:MODE` command selects the trigger mode.

**Table 30-2**

---

**Trigger Mode Settings**

---

<b>Mode</b>	<b>Definition</b>
<b>EDGE</b>	Edge trigger mode.
<b>GLITCh</b>	Trigger on a pulse that has a width less than a specified amount of time.
<b>ADVanced</b>	Allows access to the <b>DELaY</b> , <b>PATTeRn</b> , <b>STATe</b> , <b>TV</b> , and <b>VIOLation</b> modes.
<b>COMM</b>	<b>COMM</b> mode lets you trigger on a serial pattern of bits in a waveform.
<b>DELaY</b>	<b>Delay by Events</b> mode lets you view pulses in your waveform that occur a number of events after a specified waveform edge. <b>Delay by Time</b> mode lets you view pulses in your waveform that occur a long time after a specified waveform edge.
<b>PATTeRn</b>	<b>Pattern triggering</b> lets you trigger the oscilloscope using more than one channel as the trigger source. You can also use pattern triggering to trigger on a pulse of a given width.
<b>STATe</b>	<b>State triggering</b> lets you set the oscilloscope to use several channels as the trigger source, with one of the channels being used as a clock waveform.
<b>TV</b>	<b>TV trigger mode</b> lets you trigger the oscilloscope on one of the standard television waveforms. You can also use this mode to trigger on a custom television waveform that you define.
<b>VIOLation</b>	Trigger violation modes: <b>Pulse WIDth</b> , <b>SETup</b> , <b>TRANsition</b> .

**Query** `:TRIGger:MODE?`

The query returns the currently selected trigger mode.

**Returned Format** `[ :TRIGger:MODE ] {EDGE | GLITCh | ADVanced} <NL>`



---

## HOLDoff

**Command**                   :TRIGger:HOLDoff <holdoff\_time>

The :TRIGger:HOLDoff command specifies the amount of time the oscilloscope should wait after receiving a trigger before enabling the trigger again.

<holdoff\_time> A real number for the holdoff time, ranging from 50 ns to 10 s.

**Query**                       :TRIGger:HOLDoff?

The query returns the current holdoff value for the current mode.

**Returned Format**           [:TRIGger:HOLDoff] <holdoff><NL>

---

## HTHReshold

**Command**                   :TRIGger:HTHReshold  
                              {CHANnel<N>|EXTernal}, <level>}

<b>EXTernal is Only Available in Some Infiniium Oscilloscopes</b> <b>EXTernal is only available in 2-channel Infiniium Oscilloscope models.</b>
--

This command specifies the high threshold voltage level for the selected trigger source. Set the high threshold level to a value considered to be a high level for your logic family; your data book gives two values,  $V_{IH}$  and  $V_{OH}$ .

- <N> An integer, 1 - 2, for two channel Infiniium Oscilloscope.  
An integer, 1 - 4, for all other Infiniium Oscilloscope models.
- <level> A real number for the voltage level for the trigger source.

**Query**                       :TRIGger:HTHReshold? {CHANnel<N>|EXTernal}

The query returns the currently defined high threshold voltage level for the trigger source.

**Returned Format**           [:TRIGger:HTHReshold {CHANnel<N>|EXTernal},] <level><NL>

---

## HYSTeresis

**Command**            `:TRIGger:HYSTeresis {NORMAL|NREJect}`

The `:TRIGger:HYSTeresis` command specifies the trigger hysteresis (noise reject) as either normal or maximum. The `NORMAL` option is the typical hysteresis selection. The `NREJect` (noise reject) option gives maximum hysteresis but the lowest trigger bandwidth.

**Query**                `:TRIGger:HYSTeresis?`

The query returns the current hysteresis setting.

**Returned Format**    `[[:TRIGger:HYSTeresis] {NORMAL|NREJect}<NL>`

---

## LEVel

**Command**           :TRIGger:LEVel {CHANnel<N> | AUX | EXTernal}, <level>}

**EXTernal and AUXiliary are Only Available in Some Infiniium Oscilloscopes**

**EXTernal is only available in 2-channel Infiniium Oscilloscope models.**

**AUXiliary is only available in 4-channel Infiniium Oscilloscope models.**

The :TRIGger:LEVel command specifies the trigger level on the specified channel for the trigger source. Only one trigger level is stored in the oscilloscope for each channel. This level applies to the channel throughout the trigger dialogs (Edge, Glitch, and Advanced). This level also applies to all the High Threshold (HTHReshold) values in the Advanced Violation menus.

<N> An integer, 1 - 2, for two channel Infiniium Oscilloscope.  
An integer, 1 - 4, for all other Infiniium Oscilloscope models.

<level> A real number for the trigger level on the specified channel, External Trigger, or Auxilliary Trigger Input.

**Query**               :TRIGger:LEVel? {CHANnel<N> | AUX | EXTernal}

The query returns the specified channel's trigger level.

**Returned Format**   [:TRIGger:LEVel {CHANnel<N> | AUX | EXTernal}, ] <level><NL>

---

## LTHReshold

**Command**                   :TRIGger:LTHReshold {CHANnel<N>|EXTernal},<level>

**EXTernal is Only Available in Some Infiniium Oscilloscopes**  
**EXTernal is only available in 2-channel Infiniium Oscilloscope models.**

This command specifies the low threshold voltage level for the selected trigger source. This command specifies the low threshold voltage level for the selected trigger source. Set the low threshold level to a value considered to be a low level for your logic family; your data book gives two values,  $V_{IL}$  and  $V_{OL}$ .

- <N> An integer, 1 - 2, for two channel Infiniium Oscilloscope.  
An integer, 1 - 4, for all other Infiniium Oscilloscope models.
- <level> A real number for the voltage level for the trigger source.

**Query**                       :TRIGger:LTHReshold? {CHANnel<N>|EXTernal}

The query returns the currently defined low threshold for the trigger source.

**Returned Format**       [:TRIGger:LTHReshold {CHANnel<N>|EXTernal},] <level><NL>

## SWEep

**Command**                   :TRIGger:SWEep {AUTO|TRIGgered|SINGle}

The :TRIGger:SWEep command selects the oscilloscope sweep mode.

<AUTO> When you select AUTO, if a trigger event does not occur within a time determined by the oscilloscope settings, the oscilloscope automatically forces a trigger which causes the oscilloscope to sweep. If the frequency of your waveform is 50 Hz or less, you should not use the AUTO sweep mode because it is possible that the oscilloscope will automatically trigger before your waveform trigger occurs.

<TRIGgered> When you select TRIGgered, if no trigger occurs, the oscilloscope will not sweep, and the previously acquired data will remain on the screen.

<SINGle> When you select SINGle, if no trigger occurs, the oscilloscope will not sweep, and the previously acquired data will remain on the screen.

**Query**                       :TRIGger:SWEep?

The query returns the specified channel's trigger level.

**Returned Format**       [:TRIGger:SWEep] {AUTO|TRIGgered|SINGle}<NL>

---

# Edge Trigger Mode and Commands

The oscilloscope identifies an edge trigger by looking for the specified slope (rising edge or falling edge) of your waveform. Once the slope is found, the oscilloscope will trigger when your waveform crosses the trigger level.

The Edge Trigger Mode is the easiest trigger mode to understand and use from the front panel or over the remote interface, because it has the least number of parameters to be set. This explanation of the trigger mode commands follow the front-panel keys very closely. Refer to the *online help file* for further explanations of the trigger operation.

In the Edge Trigger Mode, you must set the trigger source using the :TRIGger:EDGE:SOURce command. This selects the source that the oscilloscope triggers on. The argument for the :TRIGger:EDGE:SOURce command is CHANnel<n> (where n = 1 through 4) AUX, or LINE (or External for 2-channel units).

After setting the trigger source, set the trigger slope. The actual edge that creates the trigger is set with the :TRIGger:EDGE:SLOPe command. You can set this command to POSitive or NEGative for each of the sources, except LINE.

Set the trigger level for the trigger source. Only one trigger level is stored in the oscilloscope for each channel. The trigger level values that are set in the Edge Trigger Mode are used for all modes. Any levels set in the PATtern, STATe, or DELay, TV, or violation (high threshold) modes set the levels for the EDGE mode. LINE has no level.

Available trigger conditioning includes HOLDoff, HYSTeresis (Noise Reject) and COUPling.

## **Set the Mode Before Executing Commands**

Before you can execute the :TRIGger:EDGE commands, set the mode by entering:

```
:TRIGger:MODE EDGE
```

This command sets the conditions for the EDGE slope and source trigger commands.

To query the oscilloscope for the trigger mode, enter:

```
:TRIGger:MODE?
```

You set up the :TRIGger:EDGE commands with the following commands and queries:

- COUPling
- SLOPe
- SOURce



---

## EDGE:COUPling

**Command**                   :TRIGger:EDGE:COUPling {AC|DC|LFReject|HFReject}

The :TRIGger:EDGE:COUPling command sets the trigger coupling when :TRIG:EDGE:SOURce is set to one of the channels, or to External (for 2-channel oscilloscope models).

**Query**                     :TRIGger:EDGE:COUPling?

The query returns the currently selected coupling for the specified edge trigger source.

**Returned Format**       [:TRIGger:EDGE:COUPling] {AC|DC|LFReject|HFReject}<NL>

## EDGE:SLOPe

**Command**           :TRIGger:EDGE:SLOPe {POSitive|NEGative|EITHer}

The :TRIGger:EDGE:SLOPe command sets the slope of the trigger source previously selected by the :TRIGger:EDGE:SOURce command. The LINE source has no slope.

**Query**             :TRIGger:EDGE:SLOPe?

The query returns the currently selected slope for the specified edge trigger source.

**Returned Format**   [:TRIGger:EDGE:SLOPe] {POS|NEG|EITH}<NL>

---

## EDGE:SOURce

**Command**                   :TRIGger:EDGE:SOURce {CHANnel<N> | <digital\_channel>  
                              | AUX | LINE | EXTernal}

**EXTernal and AUXiliary are Only Available in Some Infiniium Oscilloscopes**  
**EXTernal is only available in 2-channel Infiniium Oscilloscope models.**  
**AUXiliary is only available in 4-channel Infiniium Oscilloscope models.**

The :TRIGger:EDGE:SOURce command selects the source for edge mode triggering. This is the source that will be used for subsequent :TRIGger:EDGE:SLOPe commands or queries.

<N> An integer, 1 - 2, for two channel Infiniium Oscilloscope.  
 An integer, 1 - 4, for all other Infiniium Oscilloscope models.

<digital\_channel> The digital channels are only available on the MSO oscilloscopes and can be DIGital0 through DIGital15

**Query**                       :TRIGger:EDGE:SOURce?

The query returns the currently selected edge mode trigger source.

**Returned Format**       [:TRIGger:EDGE:SOURce] {CHANnel<N> | <digital\_channel> | AUX |  
                              LINE | EXTernal}<NL>

---

# Glitch Trigger Mode and Commands

Use the Glitch Trigger Mode to find pulses in a waveform that are narrower than the rest of the pulses in the waveform.

To look for pulses that are wider than the other pulses in your waveform, you should use the pulse width trigger. Pulse width trigger is in the Advanced trigger menu under Violation trigger.

The oscilloscope identifies a glitch trigger by looking for a pulse that is narrower than other pulses in your waveform. You specify the width that the pulse must be narrower than, and the pulse polarity (positive or negative) that the oscilloscope should consider to be a glitch. For a positive glitch, the oscilloscope triggers when the falling edge of a pulse crosses the trigger level. For a negative glitch, the oscilloscope triggers when the rising edge of the pulse crosses the trigger level.

**Source** Use this control to select the oscilloscope channel used to trigger the oscilloscope.

**Level** Use the Level control to set the trigger level through which the glitch must pass before the oscilloscope will trigger.

When setting the trigger level for your waveform, it is usually best to choose a voltage value that is equal to the voltage value at the mid point of your waveform. For example, if you have a waveform with a minimum value of 0 (zero) volts and a maximum value of 5 volts, then 2.5 volts is the best place to set your trigger level. The reason this is the best choice is that there may be some ringing or noise at both the 0-volt and 5-volt levels that can cause false triggers.

When you adjust the trigger level control, a horizontal dashed line with a T on the right-hand side appears, showing you where the trigger level is with respect to your waveform. After a period of time the dashed line will disappear. To redisplay the line, adjust the trigger level control again, or activate the Trigger dialog. A permanent icon with arrow (either T, T<sub>L</sub>, or T<sub>H</sub>) is also displayed on the right side of the waveform area, showing the trigger level.

**Polarity** Use the Positive control to look for positive glitches. Use the Negative control to look for negative glitches.

`width` Use the Width control to define the maximum pulse width that is considered a glitch. The glitch width range is from 1.5 ns to 10 s.

Available trigger conditioning includes `HOLDoff` and `HYSTeresis` (Noise Reject).

### **Set the Mode Before Executing Commands**

Before you can execute the `:TRIGger:GLITch` commands, set the mode by entering:

```
:TRIGger:MODE GLITch
```

This command sets the conditions for the glitch polarity, source, and width trigger commands.

To query the oscilloscope for the trigger mode, enter:

```
:TRIGger:MODE?
```

You set up the `:TRIGger:GLITch` commands with the following commands and queries:

- `POLarity`
- `SOURce`
- `WIDTH`

## GLITch:POLarity

**Command**           :TRIGger:GLITch:POLarity {POSitive|NEGative}

This command defines the polarity of the glitch as positive or negative. The trigger source must be set using the :TRIGger:GLITch:SOURce command.

**Query**               :TRIGger:GLITch:POLarity?

The query returns the currently selected glitch polarity.

**Returned Format**   [:TRIGger:GLITch:POLarity] {POS|NEG}<NL>

---

## GLITch:SOURce

**Command**           :TRIGger:GLITch:SOURce {CHANnel<N> |  
                          <digital\_channel> | EXTernal}

This command sets the source for the glitch trigger mode.

<N> An integer, 1 - 2, for two channel Infiniium Oscilloscope.  
      An integer, 1 - 4, for all other Infiniium Oscilloscope models.

<digital\_channel> The digital channels are only available on the MSO oscilloscopes and can be  
                          DIGital0 through DIGital15

**EXTernal is Only Available in Some Infiniium Oscilloscopes**  
**EXTernal is only available in 2-channel Infiniium Oscilloscope model.**

**Query**               :TRIGger:GLITch:SOURce?

The query returns the currently selected source for the glitch trigger mode.

**Returned Format**   [:TRIGger:GLITch:SOURce] {CHANnel<N> | <digital\_channel> |  
                          EXTernal}<NL>

## GLITCh:WIDTh

**Command**                   :TRIGger:GLITCh:WIDTh <width>

This command sets the glitch width. The oscilloscope will trigger on a pulse that has a width less than the specified width.

<width> A real number for the glitch width, ranging from 1.5 ns to 10 s.

**Query**                       :TRIGger:GLITCh:WIDTh?

The query returns the currently specified glitch width.

**Returned Format**           [:TRIGger:GLITCh:WIDTh] <width><NL>



---

# Advanced COMM Trigger Mode and Commands

Use the COMM Trigger Mode to find a serial pattern of bits in a waveform. The COMM Trigger Mode is primarily used to find an isolated logically one bit in a waveform for mask testing applications. The pattern is defined by the standards used by the telecommunication and data communication industries. Mask testing is used to verify a waveform meets industrial standards which guarantees that equipment made by different manufacturers will work together.

## **Set the Mode Before Executing Commands**

Before you can execute the :TRIGger:ADVanced:COMMunications commands, mask testing must be enabled at least one time. The :MTEST:ENABLE command enables or disables mask testing. Then you can set the mode by entering:

```
:TRIGger:MODE ADVanced and  
:TRIGger:ADVanced:MODE COMM
```

To query the oscilloscope for the advanced trigger mode, enter:

```
:TRIGger:ADVanced:MODE?
```

The :TRIGger:ADVanced:COMM commands define the Communications Trigger Mode. As described in the following commands, you set up the :TRIGger:ADVanced:COMM commands with the following commands and queries.

- BWIDth
- ENCode
- LEVel
- PATTern
- POLarity
- SOURce

---

## COMM:BWIDth

**Command**                   :TRIGger:ADVanced:COMM:BWIDth <bwidth\_value>

The :TRIGger:ADVanced:COMM:BWIDth command is used to set the width of a bit for your waveform. The bit width is usually defined in the mask standard for your waveform.

<bwidth\_value> A real number that represents the width of a bit.

**Query**                     :TRIGger:ADVanced:COMM:BWIDth?

The query returns the current bit width.

**Returned Format**       [:TRIGger:ADVanced:COMM:BWIDth] <bwidth\_value><NL>

---

## COMM:ENCode

**Command**                   :TRIGger:ADVanced:COMM:ENCode {RZ | NRZ}

This :TRIGger:ADVanced:COMM:ENCode command sets the type of waveform encoding for your waveform. You should use NRZ for CMI type waveforms and RZ for all other type of waveforms.

**Query**                     :TRIGger:ADVanced:COMM:ENCode?

The :TRIGger:ADVanced:COMM:ENCode? query returns the current value of encoding

**Returned Format**       [:TRIGger:ADVanced:COMM:ENCode] {RZ | NRZ}<NL>

---

## COMM:LEVel

**Command**                   :TRIGger:ADVanced:COMM:LEVel CHANnel<N>,<level>

The :TRIGger:ADVanced:COMM:LEVel command sets the voltage level used to determine a logic 1 from a logic 0 for the communication pattern.

<N> An integer, 1-2, for two channel Infiniium Oscilloscope  
An integer, 1-4, for all other Infiniium Oscilloscope models.

<level> A real number which is the logic level voltage.

**Query**                       :TRIGger:ADVanced:COMM:LEVel? CHANnel<N>

The :TRIGger:ADVanced:COMM:LEVel? query returns the current level for the communication pattern.

**Returned Format**           [:TRIGger:ADVanced:COMM:LEVel CHANnel<N>,<level><NL>

---

## COMM:PATtern

**Command**                   :TRIGger:ADVanced:COMM:PATtern  
 <bit>[,<bit>[,<bit>[,<bit>[,<bit>[,<bit>]]]]]

The :TRIGger:ADVanced:COMM:PATtern command sets the pattern used for triggering the oscilloscope when in communication trigger mode. The pattern can be up to 6 bits long. For NRZ type waveforms with positive polarity, there must be at least one logic 0 to logic 1 transition in the pattern. For NRZ waveforms with negative polarity there must be at least one logic 1 to logic 0 transition in the pattern. For RZ type waveforms the pattern must have at least one logic 1 bit for positive polarity. For RZ type waveforms the pattern must have at least one logic -1 bit for negative polarity.

<bit> A 1, -1, or 0.

**Query**                       :TRIGger:ADVanced:COMM:PATtern?

The :TRIGger:ADVanced:COMM:PATtern? query returns the current communication trigger pattern.

**Returned Format**       [:TRIGger:ADVanced:COMM:PATtern] <pattern><NL>

<pattern> A string of up to 6 characters.

## COMM:POLarity

**Command**           :TRIGger:ADVanced:COMM:POLarity {POSitive |  
NEGative}

The :TRIGger:ADVanced:COMM:POLarity command directly controls the trigger slope used for communication trigger. When set to a positive value, the rising edge of a pulse or waveform is used to trigger the oscilloscope. When set to a negative value, the falling edge of a pulse or waveform is used. The polarity setting is also used to check for valid patterns. If you are trying to trigger on an isolated 1 pattern, you should set the polarity to positive. If you are trying to trigger on an isolated -1 pattern, you should set the polarity to negative.

**Query**             :TRIGger:ADVanced:COMM:POLarity?

The :TRIGger:ADVanced:COMM:POLarity? query returns the current setting for polarity.

**Returned Format**   [:TRIGger:ADVanced:COMM:POLarity] {1|0}<NL>

---

## COMM:SOURce

**Command** :TRIGger:ADVanced:COMM:SOURce CHANnel<N>

The :TRIGger:ADVanced:COMM:SOURce command selects the channel used for the communication trigger.

<N> An integer, 1-2, for two channel Infiniium Oscilloscope  
An integer, 1-4, for all other Infiniium Oscilloscope models.

**Query** :TRIGger:ADVanced:COMM:SOURce?

The :TRIGger:ADVanced:COMM:SOURce? query returns the currently selected communication trigger source.

**Returned Format** [:TRIGger:ADVanced:COMM:SOURce] CHANnel<N><NL>

---

# Advanced Pattern Trigger Mode and Commands

Logic triggering is similar to the way that a logic analyzer captures data. This mode is useful when you are looking for a particular set of ones and zeros on a computer bus or control lines. You determine which channels the oscilloscope uses to form the trigger pattern. Because you can set the voltage level that determines a logic 1 or a logic 0, any logic family that you are probing can be captured.

There are two types of logic triggering: Pattern and State. The difference between pattern and state triggering modes is that state triggering uses one of the oscilloscope channels as a clock.

Use pattern triggering to trigger the oscilloscope using more than one channel as the trigger source. You can also use pattern triggering to trigger on a pulse of a given width.

The Pattern Trigger Mode identifies a trigger condition by looking for a specified pattern. A pattern is a logical combination of the channels. Each channel can have a value of High (H), Low (L) or Don't Care (X). A value is considered a High when your waveform's voltage level is greater than its trigger level, and a Low when the voltage level is less than its trigger level. If a channel is set to Don't Care, it is not used as part of the pattern criteria.

One additional qualifying condition determines when the oscilloscope triggers once the pattern is found. The :PATTERN:CONDITION command has five possible ways to qualify the trigger:

- Entered The oscilloscope will trigger on the edge of the source that makes the pattern true.
- Exited The oscilloscope will trigger on the edge of the source that makes the pattern false.
- Present > The oscilloscope will trigger when the pattern is present for greater than the time that you specify. An additional parameter allows the oscilloscope to trigger when the pattern goes away or when the time expires.
- Present < The oscilloscope will trigger when the pattern is present for less than the time that you specify.



Range The oscilloscope will trigger on the edge of the waveform that makes the pattern invalid as long as the pattern is present within the range of times that you specify.

Available trigger conditioning includes HOLDoff and HYSTeresis (Noise Reject).

### **Set the Mode Before Executing Commands**

Before you can execute the :TRIGger:ADVanced:PATtern commands, set the mode by entering:

```
:TRIGger:MODE ADVanced and  
:TRIGger:ADVanced:MODE PATtern
```

To query the oscilloscope for the advanced trigger mode, enter:

```
:TRIGger:ADVanced:MODE?
```

The :TRIGger:ADVanced:PATtern commands define the conditions for the Pattern Trigger Mode. As described in the following commands, you set up the :TRIGger:ADVanced:PATtern commands with the following commands and queries:

- CONDition
- LOGic
- THReshold

---

## PATtern:CONDition

**Command**           :TRIGger:ADVanced:PATtern:CONDition {ENTerEd |  
                      EXITed |  
                      {GT,<time>[, PEXits|TIMEout]} |  
                      {LT,<time>} |  
                      {RANGe,<gt\_time>,<lt\_time>}}

This command describes the condition applied to the trigger pattern to actually generate a trigger.

- <gt\_time> The minimum time (greater than time) for the trigger pattern, from 10 ns to 9.9999999 s.
- <lt\_time> The maximum time (less than time) for the trigger pattern, from 15 ns to 10 s.
- <time>    The time condition, in seconds, for the pattern trigger, from 1.5 ns to 10 s.

When using the GT (Present >) parameter, the PEXits (Pattern Exits) or the TIMEout parameter controls when the trigger is generated.

**Query**               :TRIGger:ADVanced:PATtern:CONDition?

The query returns the currently defined trigger condition.

**Returned Format**   [:TRIGger:ADVanced:PATtern:CONDition] {ENTerEd|EXITed |  
                      {GT,<time>[, PEXits|TIMEout]} | {LT,<time>} | {RANGe,<gt\_time>,  
                      <lt\_time>}}<NL>

---

## PATtern:LOGic

**Command**                   :TRIGger:ADVanced:PATtern:LOGic {{CHANnel<N> | <channel\_list> | <digital\_channel> | EXTERNAL}}, {HIGH|LOW|DONTcare|RISing|FALLing}}

**EXTERNAL is Only Available in Some Infiniium Oscilloscopes**  
**EXTERNAL is only available in 2-channel Infiniium Oscilloscope model.**

This command defines the logic criteria for a selected channel.

<N>   An integer, 1 - 2, for two channel Infiniium Oscilloscope.  
 An integer, 1 - 4, for all other Infiniium Oscilloscope models.

<channel\_list>   The channel range is from 0 to 15 in the following format.

- (@1,5,7,9)**       **channels 1, 5, 7, and 9 are turned on.**
- (@1:15)**        **channels 1 through 15 are turned on.**
- (@1:5,8,14)**   **channels 1 through 5, channel 8, and channel 14 are turned on.**

<digital\_channel>   The digital channels are only available on the MSO oscilloscopes and can be DIGital0 through DIGital15

**Query**                    :TRIGger:ADVanced:PATtern:LOGic? {CHANnel<N> | <channel\_list> | <digital\_channel> | EXTERNAL}

The query returns the current logic criteria for a selected channel.

**Returned Format**       [:TRIGger:ADVanced:PATtern:LOGic {CHANnel<N> | <channel\_list> | <digital\_channel> | EXTERNAL},, {HIGH|LOW|DONTcare|RISing|FALLing}<NL>

---

## :PATTern:THReshold:LEVel

**Command**                   :TRIGger:ADVanced:PATTern:THReshold:LEVel  
                              {CHANnel<N> | EXTernal},<level>

<b>EXTernal is Only Available in Some Infiniium Oscilloscopes</b> <b>EXTernal is only available in 2-channel Infiniium Oscilloscope model.</b>
---

The :TRIGger:ADVanced:PATTern:THReshold:LEVel command specifies the trigger level on the specified channel for the trigger source. Only one trigger level is stored in the oscilloscope for each channel. This level applies to the channel throughout the trigger dialogs (Edge, Glitch, and Advanced). This level also applies to all the High Threshold (HThReshold) values in the Advanced Violation menus.

- <N> An integer, 1 - 2, for two channel Infiniium Oscilloscope.  
An integer, 1 - 4, for all other Infiniium Oscilloscope models.
- <level> A real number for the trigger level on the specified channel, External Trigger, or Auxilliary Trigger Input.

**Query**                       :TRIGger:ADVanced:PATTern:THReshold:LEVel?  
                              {CHANnel<N> | EXTernal}

The query returns the specified channel's trigger level.

**Returned Format**       [:TRIGger:ADVanced:PATTern:THReshold:LEVel {CHANnel<N> |  
EXTernal},] <level><NL>

---

## :PATTern:THReshold:POD<N>

**Command** :TRIGger:ADVanced:PATTern:THReshold:POD<N> {CMOS50 | CMOS30 | CMOS25 | ECL | PECL | TTL | <value>}

**This command is only valid for the MSO oscilloscopes.**

The TRIGger:ADVanced:PATTern:THReshold:POD<N> command sets the logic threshold value for the selected pod. POD1 is digital channels D0 through D7 and POD2 is digital channels D8 through D15. The threshold is used for triggering purposes and for displaying the digital data as high (above the threshold) or low (below the threshold). The voltage values for the predefined thresholds are:

CMOS50=2.5 V  
CMOS30=1.65 V  
CMOS25=1.25 V  
ECL=-1.3 V  
PECL=3.7 V  
TTL=1.4 V

<N> An integer, 1 - 2.

<value> A real number representing the voltage value which distinguishes a 1 logic level from a 0 logic level. Waveform voltages greater than the threshold are 1 logic levels while waveform voltages less than the threshold are 0 logic levels.

**Query** :TRIGger:ADVanced:PATTern:THReshold:POD<N>?

The :TRIGger:ADVanced:PATTern:THReshold:POD<N>? query returns the threshold value for the specified pod.

**Return format** [:TRIGger:ADVanced:PATTern:THReshold:POD<N>] {CMOS50 | CMOS30 | CMOS25 | ECL | PECL | TTL | <value>}<NL>

---

## Advanced State Trigger Mode and Commands

Logic triggering is similar to the way that a logic analyzer captures data. This mode is useful when you are looking for a particular set of ones and zeros on a computer bus or control lines. You determine which channels the oscilloscope uses to form the trigger pattern. Because you can set the voltage level that determines a logic 1 or a logic 0, any logic family that you are probing can be captured.

There are two types of logic triggering: Pattern and State. The difference between pattern and state triggering modes is that state triggering uses one of the oscilloscope channels as a clock.

Use state triggering when you want the oscilloscope to use several channels as the trigger source, with one of the channels being used as a clock waveform.

The State trigger identifies a trigger condition by looking for a clock edge on one channel and a pattern on the remaining channels. A pattern is a logical combination of the remaining channels. Each channel can have a value of High (H), Low (L) or Don't Care (X). A value is considered a High when your waveform's voltage level is greater than the trigger level and a Low when the voltage level is less than the trigger level. If a channel is set to Don't Care, it is not used as part of the pattern criteria. You can select the clock edge as either rising or falling.

The logic type control determines whether or not the oscilloscope will trigger when the specified pattern is found on a clock edge. When AND is selected, the oscilloscope will trigger on a clock edge when input waveforms match the specified pattern. When NAND is selected, the oscilloscope will trigger when the input waveforms are different from the specified pattern and a clock edge occurs.

Available trigger conditioning includes HOLDoff and HYSTeresis (Noise Reject).

### **Set the Mode Before Executing Commands**

Before you can execute the :TRIGger:ADVanced:STATe commands, set the mode by entering:

```
:TRIGger:MODE ADVanced and  
:TRIGger:ADVanced:MODE STATE
```

To query the oscilloscope for the advanced trigger mode, enter:

```
:TRIGger:ADVanced:MODE?
```

The :TRIGger:ADVanced:STATe commands define the conditions for the State Trigger Mode. As described in the following commands, you set up the :TRIGger:ADVanced:STATe commands with the following commands and queries:

- CLOCK
- LOGic
- LTYPE
- SLOPe
- THReshold

---

## STAtE:CLOcK

**Command**           :TRIGger:ADVanced:STAtE:CLOcK {CHANnel<N> |  
EXTErnal | DONTcare | <digital\_channel>}

<b>EXTernal is Only Available in Some Infiniium Oscilloscopes</b> <b>EXTernal is only available in 2-channel Infiniium Oscilloscope model.</b>
---

This command selects the source for the clock waveform in the State Trigger Mode.

<N> An integer, 1 - 2, for two channel Infiniium Oscilloscope.  
An integer, 1 - 4, for all other Infiniium Oscilloscope models.

<digital\_channel> The digital channels are only available on the MSO oscilloscopes and can be  
DIGital0 through DIGital15

**Query**               :TRIGger:ADVanced:STAtE:CLOcK?

The query returns the currently selected clock source.

**Returned Format**   [:TRIGger:ADVanced:STAtE:CLOcK] {CHANnel<N> | EXTErnal} <NL>



---

## STAtE:LOGic

**Command**                   :TRIGger:ADVanced:STAtE:LOGic {{CHANnel<N> | <channel\_list> | <digital\_channel> | EXTErnal}}, {LOW|HIGH|DONTcare|RISing|FALLing}}

**EXTErnal is Only Available in Some Infiniium Oscilloscopes**  
**EXTErnal is only available in 2-channel Infiniium Oscilloscope model.**

This command defines the logic state of the specified source for the state pattern. The command produces a settings conflict on a channel that has been defined as the clock.

<N> An integer, 1 - 2, for two channel Infiniium Oscilloscope.  
 An integer, 1 - 4, for all other Infiniium Oscilloscope models.

<channel\_list> The channel range is from 0 to 15 in the following format.

- (@1,5,7,9)           channels 1, 5, 7, and 9 are turned on.**
- (@1:15)            channels 1 through 15 are turned on.**
- (@1:5,8,14)       channels 1 through 5, channel 8, and channel 14 are turned on.**

<digital\_channel> The digital channels are only available on the MSO oscilloscopes and can be DIGital0 through DIGital15

**Query**                     :TRIGger:ADVanced:STAtE:LOGic? {CHANnel<N> | <channel\_list> | <digital\_channel> | EXTErnal}

The query returns the logic state definition for the specified source.

<N> N is the channel number, an integer in the range of 1 - 4.

**Returned Format**       [:TRIGger:ADVanced:STAtE:LOGic {CHANnel<N>|<channel\_list>|<digital\_channel>|EXTErnal}, ] {LOW|HIGH|DONTcare|RISing|FALLing}<NL>

---

## STAtE:LTYPe

**Command**           :TRIGger:ADVanced:STAtE:LTYPe {AND|NAND}

This command defines the state trigger logic type. If the logic type is set to AND, then a trigger is generated on the edge of the clock when the input waveforms match the pattern specified by the :TRIGger:ADVanced:STAtE:LOGic command. If the logic type is set to NAND, then a trigger is generated on the edge of the clock when the input waveforms do not match the specified pattern.

**Query**               :TRIGger:ADVanced:STAtE:LTYPe?

The query returns the currently specified state trigger logic type.

**Returned Format**   [:TRIGger:ADVanced:STAtE:LTYPe] {AND|NAND}<NL>

---

## STATE:SLOPe

**Command**                   :TRIGger:ADVanced:STATE:SLOPe {POSitive|NEGative}

This command specifies the edge of the clock that is used to generate a trigger. The waveform source used for the clock is selected by using the :TRIGger:ADVanced:STATE:CLOCK command.

**Query**                     :TRIGger:ADVanced:STATE:SLOPe?

The query returns the currently defined slope for the clock in State Trigger Mode.

**Returned Format**       [:TRIGger:ADVanced:STATE:SLOPe] {POSitive|NEGative}<NL>

---

## :STATe:THReshold:LEVel

**Command** :TRIGger:ADVanced:STATe:THReshold:LEVel  
{CHANnel<N> | EXTErnal},<level>

**EXTERNAL is Only Available in Some Infiniium Oscilloscopes**

**EXTERNAL is only available in 2-channel Infiniium Oscilloscope model.**

The :TRIGger:ADVanced:STATe:THReshold:LEVel command specifies the trigger level on the specified channel for the trigger source. Only one trigger level is stored in the oscilloscope for each channel. This level applies to the channel throughout the trigger dialogs (Edge, Glitch, and Advanced). This level also applies to all the High Threshold (HThReshold) values in the Advanced Violation menus.

- <N> An integer, 1 - 2, for two channel Infiniium Oscilloscope.  
An integer, 1 - 4, for all other Infiniium Oscilloscope models.
- <level> A real number for the trigger level on the specified channel, External Trigger, or Auxilliary Trigger Input.

**Query** :TRIGger:ADVanced:STATe:THReshold:LEVel?  
{CHANnel<N> | EXTErnal}

The query returns the specified channel's trigger level.

**Returned Format** [:TRIGger:ADVanced:STATe:THReshold:LEVel {CHANnel<N> |  
EXTErnal},] <level><NL>

---

# Advanced Delay By Event Mode and Commands

You can set the delay mode to delay by events or time. Use Delay By Event mode to view pulses in your waveform that occur a number of events after a specified waveform edge. Infiniium Oscilloscopes identify a trigger by arming on the edge you specify, counting a number of events, then triggering on the specified edge.

**Arm On** Use Arm On to set the source, level, and slope for arming the trigger circuitry. When setting the arm level for your waveform, it is usually best to choose a voltage value that is equal to the voltage value at the mid point of your waveform. For example, if you have a waveform with a minimum value of 0 (zero) volts and a maximum value of 5 volts, then 2.5 volts is the best place to set your arm level. The reason this is the best choice is that there may be some ringing or noise at both the 0 volt and 5 volt levels that can cause false triggers.

When you adjust the arm level control, a horizontal dashed line with a T on the right-hand side appears showing you where the arm level is with respect to your waveform. After a period of time the dashed line will disappear. To redisplay the line, adjust the arm level control again, or activate the Trigger dialog.

**Delay By Event** Use Delay By Event to set the source, level, and edge to define an event. When setting the event level for your waveform, it is usually best to choose a voltage value that is equal to the voltage value at the mid point of your waveform. For example, if you have a waveform with a minimum value of 0 (zero) volts and a maximum value of 5 volts, then 2.5 volts is the best place to set your event level. The reason this is the best choice is that there may be some ringing or noise at both the 0 volt and 5 volt levels that can cause false triggers.

**Event** Use Event to set the number of events (edges) that must occur after the oscilloscope is armed until it starts to look for the trigger edge.

**Trigger On** Use Trigger On to set the trigger source and trigger slope required to trigger the oscilloscope. Each source can have only one level, so if you are arming and triggering on the same source, only one level is used.

## Set the Mode Before Executing Commands

Before you can execute the :TRIGger:ADVanced:DELY commands, set the mode by entering:

```
:TRIGger:MODE ADVanced and  
:TRIGger:ADVanced:MODE DELay
```

The ADVanced DELay commands define the conditions for the Delay Trigger Mode. The Delay By Events Mode lets you view pulses in your waveform that occur a number of events after a specified waveform edge. After entering the commands above, to select Delay By Events Mode, enter:

```
:TRIGger:ADVanced:DELY:MODE EDLY
```

Then you can use the Event Delay (EDLY) commands and queries for ARM, EVENT, and TRIGger on the following pages.

To query the oscilloscope for the advanced trigger mode or the advanced trigger delay mode, enter:

```
:TRIGger:ADVanced:MODE? or  
:TRIGger:ADVanced:DELY:MODE?
```

---

## EDLY:ARM:SOURce

**Command**                   :TRIGger:ADVanced:DELay:EDLY:ARM:SOURce {CHANnel<N>  
| <digital\_channel> | EXTernal}

**EXTernal is Only Available in Some Infiniium Oscilloscopes**  
**EXTernal is only available in 2-channel Infiniium Oscilloscope model.**

This command sets the Arm On source for arming the trigger circuitry when the oscilloscope is in the Delay By Event trigger mode.

<N> An integer, 1 - 2, for two channel Infiniium Oscilloscope.  
An integer, 1 - 4, for all other Infiniium Oscilloscope models.

<digital\_channel> The digital channels are only available on the MSO oscilloscopes and can be DIGital0 through DIGital15

**Query**                       :TRIGger:ADVanced:DELay:EDLY:ARM:SOURce?

The query returns the currently defined Arm On source for the Delay By Event trigger mode.

**Returned Format**           [:TRIGger:ADVanced:DELay:EDLY:ARM:SOURce] {CHANnel<N> |  
<digital\_channel> | EXTernal}<NL>

---

## EDLY:ARM:SLOPe

**Command**           :TRIGger:ADVanced:DElay:EDLY:ARM:SLOPe  
                      {NEGative|POSitive}

This command sets a positive or negative slope for arming the trigger circuitry when the oscilloscope is in the Delay By Event trigger mode.

**Query**               :TRIGger:ADVanced:DElay:EDLY:ARM:SLOPe?

The query returns the currently defined slope for the Delay By Event trigger mode.

**Returned Format**   [:TRIGger:ADVanced:DElay:EDLY:ARM:SLOPe]  
                      {NEGative|POSitive}<NL>



---

## EDLY:EVENT:DELAY

**Command** :TRIGger:ADVanced:DELay:EDLY:EVENT:DELay  
<edge\_number>

This command sets the event count for a Delay By Event trigger event.

<edge\_num> An integer from 0 to 16,000,000 specifying the number of edges to delay.

**Query** :TRIGger:ADVanced:DELay:EDLY:EVENT:DELay?

The query returns the currently defined number of events to delay before triggering on the next Trigger On condition in the Delay By Event trigger mode.

**Returned Format** [:TRIGger:ADVanced:DELay:EDLY:EVENT:DELay] <edge\_number><NL>

---

## EDLY:EVENT:SOURce

**Command** :TRIGger:ADVanced:DELay:EDLY:EVENT:SOURce  
{CHANnel<N> | <digital\_channel> | EXTernal}

<b>EXTernal is Only Available in Some Infiniium Oscilloscopes</b> <b>EXTernal is only available in 2-channel Infiniium Oscilloscope model.</b>
---

This command sets the Event source for a Delay By Event trigger event.

<N> An integer, 1 - 2, for two channel Infiniium Oscilloscope.  
An integer, 1 - 4, for all other Infiniium Oscilloscope models.

<digital\_channel> The digital channels are only available on the MSO oscilloscopes and can be DIGital0 through DIGital15

**Query** :TRIGger:ADVanced:DELay:EDLY:EVENT:SOURce?

The query returns the currently defined Event source in the Delay By Event trigger mode.

**Returned Format** [:TRIGger:ADVanced:DELay:EDLY:EVENT:SOURce] {CHANnel<N> | <digital\_channel> | EXTernal}<NL>

---

## EDLY:EVENT:SLOPe

**Command** :TRIGger:ADVanced:DELay:EDLY:EVENT:SLOPe  
{NEGative|POSitive}

This command sets the trigger slope for the Delay By Event trigger event.

**Query** :TRIGger:ADVanced:DELay:EDLY:EVENT:SLOPe?

The query returns the currently defined slope for an event in the Delay By Event trigger mode.

**Returned Format** [:TRIGger:ADVanced:EDLY:EVENT:SLOPe] {NEGative|POSitive}<NL>

---

## EDLY:TRIGger:SOURce

**Command** :TRIGger:ADVanced:DELay:EDLY:TRIGger:SOURce  
{CHANnel<N> | <digital\_channel> | EXTernal}

<b>EXTernal is Only Available in Some Infiniium Oscilloscopes</b> <b>EXTernal is only available in 2-channel Infiniium Oscilloscope model.</b>
---

This command sets the Trigger On source for a Delay By Event trigger event.

<N> An integer, 1 - 2, for two channel Infiniium Oscilloscope.  
An integer, 1 - 4, for all other Infiniium Oscilloscope models.

<digital\_channel> The digital channels are only available on the MSO oscilloscopes and can be DIGital0 through DIGital15

**Query** :TRIGger:ADVanced:DELay:EDLY:TRIGger:SOURce?

The query returns the currently defined Trigger On source for the event in the Delay By Event trigger mode.

**Returned Format** [:TRIGger:ADVanced:DELay:EDLY:TRIGger:SOURce] {CHANnel<N> | <digital\_channel> | EXTernal}<NL>

---

## EDLY:TRIGger:SLOPe

**Command**           :TRIGger:ADVanced:DELAy:EDLY:TRIGger:SLOPe  
                      {NEGative|POSitive}

This command sets the trigger slope for the Delay By Event trigger event.

**Query**               :TRIGger:ADVanced:DELAy:EDLY:TRIGger:SLOPe?

The query returns the currently defined slope for an event in the Delay By Event trigger mode.

**Returned Format**   [:TRIGger:ADVanced:DELAy:EDLY:TRIGger:SLOPe]  
                      {NEGative|POSitive}<NL>

---

## Advanced Delay By Time Mode and Commands

You can set the delay mode to delay by events or time. Use Delay By Time mode to view pulses in your waveform that occur a long time after a specified waveform edge. The Delay by Time identifies a trigger condition by arming on the edge you specify, waiting a specified amount of time, then triggering on a specified edge. This can be thought of as two-edge triggering, where the two edges are separated by a selectable amount of time.

It is also possible to use the Horizontal Position control to view a pulse some period of time after the trigger has occurred. The problem with this method is that the further the pulse is from the trigger, the greater the possibility that jitter will make it difficult to view. Delay by Time eliminates this problem by triggering on the edge of interest.

**Arm On** Use Arm On to set the source, level, and slope for the arming condition. When setting the arm level for your waveform, it is usually best to choose a voltage value that is equal to the voltage value at the mid point of your waveform. For example, if you have a waveform with a minimum value of 0 (zero) volts and a maximum value of 5 volts, then 2.5 volts is the best place to set your arm level. The reason this is the best choice is that there may be some ringing or noise at both the 0-volt and 5-volt levels that can cause false triggers.

When you adjust the arm level control, a horizontal dashed line with a T on the right-hand side appears showing you where the arm level is with respect to your waveform. After a period of time the dashed line will disappear. To redisplay the line, adjust the arm level control again, or activate the Trigger dialog.

**Delay By Time** Use Delay By Time to set the amount of delay time from when the oscilloscope is armed until it starts to look for the trigger edge. The range is from 30 ns to 160 ms.

**Trigger On** Use Trigger On to set the source and slope required to trigger the oscilloscope. Trigger On Level is slaved to Arm On Level.

Available trigger conditioning includes HOLDoff and HYSTeresis (Noise Reject).

### **Set the Mode Before Executing Commands**

Before you can execute the :TRIGger:ADVanced:DELAy commands, set the mode by entering:

```
:TRIGger:MODE ADVanced and  
:TRIGger:ADVanced:MODE DELay
```

The ADVanced DELay commands define the conditions for the Delay Trigger Mode. The Delay By Time Mode lets you view pulses in your waveform that occur a specified time after a specified waveform edge. After entering the commands above, to select Delay By Time Mode, enter:

```
:TRIGger:ADVanced:DELAy:MODE TDLY
```

Then you can use the Time Delay (TDLY) commands and queries for ARM, DELay, and TRIGger on the following pages.

To query the oscilloscope for the advanced trigger mode or the advanced trigger delay mode, enter:

```
:TRIGger:ADVanced:MODE? or  
:TRIGger:ADVanced:DELAy:MODE?
```

---

## TDLY:ARM:SOURce

**Command**                   :TRIGger:ADVanced:DElay:TDLY:ARM:SOURce {CHANnel<N>  
| <digital\_channel> | EXTernal}

<p><b>EXTernal is Only Available in Some Infiniium Oscilloscopes</b> <b>EXTernal is only available in 2-channel Infiniium Oscilloscope model.</b></p>
---

This command sets the Arm On source for arming the trigger circuitry when the oscilloscope is in the Delay By Time trigger mode.

<N> An integer, 1 - 2, for two channel Infiniium Oscilloscope.  
An integer, 1 - 4, for all other Infiniium Oscilloscope models.

<digital\_channel> The digital channels are only available on the MSO oscilloscopes and can be DIGital0 through DIGital15

**Query**                       :TRIGger:ADVanced:DElay:TDLY:ARM:SOURce?

The query returns the currently defined channel source for the Delay By Time trigger mode.

**Returned Format**           [:TRIGger:ADVanced:DElay:TDLY:ARM:SOURce] {CHANnel<N> |  
<digital\_channel> | EXTernal}<NL>



---

## TDLY:ARM:SLOPe

**Command**           :TRIGger:ADVanced:DElay:TDLY:ARM:SLOPe  
                      {NEGative|POSitive}

This command sets a positive or negative slope for arming the trigger circuitry when the oscilloscope is in the Delay By Time trigger mode.

**Query**               :TRIGger:ADVanced:DElay:TDLY:ARM:SLOPe?

The query returns the currently defined slope for the Delay By Time trigger mode.

**Returned Format**   [:TRIGger:ADVanced:DElay:TDLY:ARM:SLOPe]  
                      {NEGative|POSitive}<NL>

---

## TDLY:DElay

**Command** :TRIGger:ADVanced:DElay:TDLY:DElay <delay>

This command sets the delay for a Delay By Time trigger event.

<delay> Time, in seconds, set for the delay trigger, from 5 ns to 10 s.

**Query** :TRIGger:ADVanced:DElay:TDLY:DElay?

The query returns the currently defined time delay before triggering on the next Trigger On condition in the Delay By Time trigger mode.

**Returned Format** [:TRIGger:ADVanced:DElay:TDLY:DElay] <delay><NL>

---

## TDLY:TRIGger:SOURce

**Command** :TRIGger:ADVanced:DELay:TDLY:TRIGger:SOURce  
{CHANnel<N> | <digital\_channel> | EXTERNAL}

**EXTERNAL is Only Available in Some Infiniium Oscilloscopes**

**EXTERNAL is only available in 2-channel Infiniium Oscilloscope model.**

This command sets the Trigger On source for a Delay By Time trigger event.

<N> An integer, 1 - 2, for two channel Infiniium Oscilloscope.  
An integer, 1 - 4, for all other Infiniium Oscilloscope models.

<digital\_channel> The digital channels are only available on the MSO oscilloscopes and can be  
DIGital0 through DIGital15

**Query** :TRIGger:ADVanced:DELay:TDLY:TRIGger:SOURce?

The query returns the currently defined Trigger On source in the Delay By Time trigger mode.

**Returned Format** [:TRIGger:ADVanced:DELay:TDLY:TRIGger:SOURce] {CHANnel<N> |  
<digital\_channel> | EXTERNAL}<NL>

---

## TDLY:TRIGger:SLOPe

**Command**           :TRIGger:ADVanced:DELAy:TDLY:TRIGger:SLOPe  
                      {NEGative|POSitive}

This command sets the trigger slope for the Delay By Time trigger event.

**Query**             :TRIGger:ADVanced:DELAy:TDLY:TRIGger:SLOPe?

The query returns the currently defined slope for an event in the Delay By Time trigger mode.

**Returned Format**   [:TRIGger:ADVanced:DELAy:TDLY:TRIGger:SLOPe]  
                      {NEGative|POSitive}<NL>

---

# Advanced Standard TV Mode and Commands

Use TV trigger mode to trigger on one of the standard television waveforms. Also, use this mode to trigger on a custom television waveform that you define, as described in the next section.

There are four types of television (TV) trigger modes: 525 (NTSC or PAL-M), 625 (PAL), and User Defined. The 525 and 625 are predefined video standards used throughout the world. The User Defined TV trigger, described in the next section, lets you trigger on nonstandard TV waveforms.

## **525 and 625 TV Trigger Modes**

**Source** Use the Source control to select one of the oscilloscope channels as the trigger source.

**Level** Use to set the trigger voltage level. When setting the trigger level for your waveform, it is usually best to choose a voltage value that is just below the bottom of burst.

When you adjust the trigger level control, a horizontal dashed line with a T on the right-hand side appears showing you where the trigger level is with respect to your waveform. After a period of time the dashed line will disappear. To redisplay the line, adjust the trigger level control again, or activate the Trigger dialog.

**Positive or Negative Sync** Use the Positive and Negative Sync controls to select either a positive sync pulse or a negative sync pulse as the trigger.

**Field** Use the Field control to select video field 1 or video field 2 as the trigger.

**Line** Use the Line control to select the horizontal line you want to view within the chosen video field.

Available trigger conditioning includes **HOLDoff** and **HYSTeresis** (Noise Reject).

## **STV Commands**

These commands set the conditions for the TV trigger mode using standard, predefined parameters (in STV mode), or user-defined parameters (in UDTV mode). The STV commands are used for triggering on television waveforms, and let you select one of the TV waveform frames and one of the lines within that frame.

### **Set the Mode Before Executing Commands**

Before executing the :TRIGger:ADVanced:STV commands, set the mode by entering:

```
:TRIGger:MODE ADVanced and  
:TRIGger:ADVanced:MODE TV and  
  
:TRIGger:ADVanced:TV:MODE L525 or  
:TRIGger:ADVanced:TV:MODE L625
```

To query the oscilloscope for the advanced trigger mode or the advanced trigger TV mode, enter:

```
:TRIGger:ADVanced:MODE? or  
:TRIGger:ADVanced:TV:MODE?
```

You set up the :TRIGger:ADVanced:TV:STV commands with the following commands and queries:

- FIELD
- LINE
- SOURce
- SPOLarity

---

## STV:FIELD

**Command** :TRIGger:ADVanced:TV:STV:FIELD {1|2}

This command is available in standard TV trigger modes L525 and L626. The :TRIGger:ADVanced:TV:STV:FIELD command selects which TV waveform field is used during standard TV trigger mode. The line within the selected field is specified using the :TRIGger:ADVanced:TV:STV:LINE <line\_number> command.

**Query** :TRIGger:ADVanced:TV:STV:FIELD?

The query returns the current television waveform field.

**Returned Format** [:TRIGger:ADVanced:TV:STV:FIELD] {1|2}<NL>

---

## STV:LINE

**Command** :TRIGger:ADVanced:TV:STV:LINE <line\_number>

This command is available in standard TV trigger modes L525 and L626.

The :TRIGger:ADVanced:TV:STV:LINE command selects the horizontal line that the instrument will trigger on. Allowable line\_number entry depends on the :TRIGger:ADVanced:TV:STV:FIELD selected. Once the vertical sync pulse of the selected field is received, the trigger is delayed by the number of lines specified.

<line\_number> Horizontal line number. Allowable values range from 1 to 625, depending on :TRIGger:ADVanced:TV:STV:FIELD settings as shown below.

	<b>STV Modes</b>	
	<b>525</b>	<b>625</b>
<b>Field 1</b>	<b>1 to 263</b>	<b>1 to 313</b>
<b>Field 2</b>	<b>1 to 262</b>	<b>314 to 625</b>

**Query** :TRIGger:ADVanced:TV:STV:LINE?

The query returns the current line number.

**Returned Format** [:TRIGger:ADVanced:TV:STV:LINE] <line\_number><NL>



---

## STV:SOURce

**Command** :TRIGger:ADVanced:TV:STV:SOURce  
{CHANnel<N> | EXTernal }

**EXTernal is Only Available in Some Infiniium Oscilloscopes**

**EXTernal is only available in 2-channel Infiniium Oscilloscope model.**

This command is available in standard TV trigger modes L525 and L626.

The :TRIGger:ADVanced:TV:STV:SOURce command selects the source for standard TV mode triggering. This is the source that will be used for subsequent :TRIGger:ADVanced:TV:STV commands and queries.

<N> An integer, 1 - 2, for two channel Infiniium Oscilloscope.  
An integer, 1 - 4, for all other Infiniium Oscilloscope models.

**Query** :TRIGger:ADVanced:TV:STV:SOURce?

The query returns the currently selected standard TV trigger mode source.

**Returned Format** [:TRIGger:ADVanced:TV:STV:SOURce] {CHANnel<N> | EXTernal }<NL>

## STV:SPOLarity

**Command**           :TRIGger:ADVanced:TV:STV:SPOLarity  
                      {NEGative|POSitive}

This command is available in standard TV trigger modes L525 and L626.  
The :TRIGger:ADVanced:TV:STV:SPOLarity (Sync POLarity) command specifies the vertical sync pulse polarity for the selected field used during standard TV mode triggering.

**Query**             :TRIGger:ADVanced:TV:STV:SPOLarity?

The query returns the currently selected sync pulse polarity.

**Returned Format**   [:TRIGger:ADVanced:TV:STV:SPOLarity] {NEGative|POSitive}<NL>

Use TV trigger mode to trigger on one of the standard television waveforms, as described in the previous section, and to trigger on a custom television waveform that you define. The User Defined TV trigger lets you trigger on nonstandard TV waveforms.

## User Defined TV Trigger

**Source** Use the Source control to select one of the oscilloscope channels as the trigger source.

**Level** Use the Level control to set the trigger voltage level.

When setting the trigger level for your waveform, it is usually best to choose a voltage value that is just below the bottom of burst.

When you adjust the trigger level control, a horizontal dashed line with a T on the right-hand side appears showing you where the trigger level is with respect to your waveform. After a period of time the dashed line will disappear. To redisplay the line, adjust the trigger level control again, or activate the Trigger dialog. A permanent icon with arrow (either T, T<sub>L</sub>, or T<sub>H</sub>) is also displayed on the right side of the waveform area, showing the trigger level.

**Pos or Neg** Use the Pos and Neg controls to select either a positive pulse or a negative pulse to arm the trigger circuitry.

**Time >** Use the Time > control to set the minimum time that the pulse must be present to be considered a valid sync pulse.

**Edge Number** Use the Edge Number control to select the number of edges you want the oscilloscope to count before triggering.

Available trigger conditioning includes HOLDoff and HYSTeresis (Noise Reject).

## UDTV Commands

These commands set the conditions for the TV trigger mode using user-defined parameters. They are used for triggering on non-standard television waveforms, and let you define the conditions that must be met before a trigger occurs.

## Set the Mode Before Executing Commands

Before executing the :TRIGger:ADVanced:TV:UDTV commands, set the mode by entering:

```
:TRIGger:MODE ADVanced and  
:TRIGger:ADVanced:MODE TV and  
:TRIGger:ADVanced:TV:MODE UDTV
```

To query the oscilloscope for the advanced trigger mode or the advanced trigger TV mode, enter:

```
:TRIGger:ADVanced:MODE? or  
:TRIGger:ADVanced:TV:MODE?
```

You set up the :TRIGger:ADVanced:TV:UDTV commands with the following commands and queries:

- ENUMber
- PGTHan
- POLarity
- SOURce

When triggering for User Defined TV mode:

- Set the channel or trigger source for the trigger using:  
:TRIGger:ADVanced:TV:UDTV:SOURce
- Set the conditions for arming the trigger using:  
:TRIGger:ADVanced:TV:UDTV:PGTHan, and  
:TRIGger:ADVanced:TV:UDTV:POLarity.
- Set the number of events to delay after the trigger is armed using:  
:TRIGger:ADVanced:TV:UDTV:ENUMber
- Set the waveform edge that causes the trigger to occur after arming and delay using:  
:TRIGger:ADVanced:TV:UDTV:EDGE

---

## UDTV:ENUMber

**Command** :TRIGger:ADVanced:TV:UDTV:ENUMber <count>

The :TRIGger:ADVanced:TV:UDTV:ENUMber command specifies the number of events (horizontal sync pulses) to delay after arming the trigger before looking for the trigger event. Specify conditions for arming the trigger using: TRIGger:ADVanced:TV:UDTV:PGTHan, and TRIGger:ADVanced:TV:UDTV:POLarity.

<count> An integer for the number of events to delay. Allowable values range from 1 to 16,000,000.

**Query** :TRIGger:ADVanced:TV:UDTV:ENUMber?

The query returns the currently programmed count value.

**Returned Format** [:TRIGger:ADVanced:TV:UDTV:ENUMber] <count><NL>

---

## UDTV:PGTHan

**Command** :TRIGger:ADVanced:TV:UDTV:PGTHan <lower\_limit>

The :TRIGger:ADVanced:TV:UDTV:PGTHan (Present Greater THan) command specifies the minimum pulse width of the waveform used to arm the trigger used during user-defined trigger mode.

<lower\_limit> Minimum pulse width (time >), from 5 ns to 9.9999999 s.

**Query** :TRIGger:ADVanced:TV:UDTV:PGTHan?

The query returns the currently selected minimum pulse width.

**Returned Format** [:TRIGger:ADVanced:TV:UDTV:PGTHan] <lower\_limit><NL>

---

## UDTV:POLarity

**Command**           :TRIGger:ADVanced:TV:UDTV:POLarity  
                      {NEGative|POSitive}

The :TRIGger:ADVanced:TV:UDTV:POLarity command specifies the polarity for the sync pulse used to arm the trigger in the user-defined trigger mode.

**Query**               :TRIGger:ADVanced:TV:UDTV:POLarity?

The query returns the currently selected UDTV sync pulse polarity.

**Returned Format**   [:TRIGger:ADVanced:TV:UDTV:POLarity] {NEGative|POSitive}<NL>

---

## UDTV:SOURce

**Command**           :TRIGger:ADVanced:TV:UDTV:SOURce  
                      {CHANnel<N> | EXTernal }

<p><b>EXTernal is Only Available in Some Infiniium Oscilloscopes</b> <b>EXTernal is only available in 2-channel Infiniium Oscilloscope model.</b></p>
---

The :TRIGger:ADVanced:TV:UDTV:SOURce command selects the source for user-defined TV mode triggering. This is the source that will be used for subsequent :TRIGger:ADVanced:TV:UDTV commands and queries.

<N> An integer, 1 - 2, for two channel Infiniium Oscilloscope.  
An integer, 1 - 4, for all other Infiniium Oscilloscope models.

**Query**               :TRIGger:ADVanced:TV:UDTV:SOURce?

The query returns the currently selected user-defined TV trigger mode source.

**Returned Format**   [:TRIGger:ADVanced:TV:UDTV:SOURce] {CHANnel<N> | EXTernal }<NL>



---

## Advanced Trigger Violation Modes

Violation triggering helps you find conditions within your circuit that violate the design rules. There are four types of violation triggering: Pulse Width, Setup and Hold Time, and Transition.

- PWIDth This mode lets you find pulses that are wider than the rest of the pulses in your waveform. It also lets you find pulses that are narrower than the rest of the pulses in the waveform.
- SETup This mode lets you find violations of setup and hold times in your circuit. Use this mode to select setup time triggering, hold time triggering, or both setup and hold time triggering.
- TRANsition This mode lets you find any edge in your waveform that violates a rise time or fall time specification. The Infiniium oscilloscope can be set to trigger on rise times or fall times that are too slow or too fast.

---

## VIOLation:MODE

**Command**           :TRIGger:ADVanced:VIOLation:MODE {PWIDth | SETup |  
TRANSition}

After you have selected the advanced trigger mode with the commands :TRIGger:MODE ADVanced and :TRIGger:ADVanced:MODE VIOLation, the :TRIGger:ADVanced:VIOLation:MODE <violation\_mode> command specifies the mode for trigger violations. The <violation\_mode> is either PWIDth, SETup, or TRANSition.

**Query**               :TRIGger:ADVanced:VIOLation:MODE?

The query returns the currently defined mode for trigger violations.

**Returned Format**   [:TRIGger:ADVanced:VIOLation:MODE] {PWIDth | SETup |  
TRANSition}<NL>

---

## Pulse Width Violation Mode and Commands

Use Pulse Width Violation Mode to find pulses that are wider than the rest of the pulses in your waveform. You can also use this mode to find pulses that are narrower than the rest of the pulses in the waveform.

The oscilloscope identifies a pulse width trigger by looking for a pulse that is either wider than or narrower than other pulses in your waveform. You specify the pulse width and pulse polarity (positive or negative) that the oscilloscope uses to determine a pulse width violation. For a positive polarity pulse, the oscilloscope triggers when the falling edge of a pulse crosses the trigger level. For a negative polarity pulse, the oscilloscope triggers when the rising edge of a pulse crosses the trigger level.

When looking for narrower pulses, pulse width less than (Width <) trigger is the same as glitch trigger.

**Source** Use Source to select the oscilloscope channel used to trigger the oscilloscope.

**Level** Use the Level control to set the voltage level through which the pulse must pass before the oscilloscope will trigger.

When setting the trigger level for your waveform, it is usually best to choose a voltage value that is equal to the voltage value at the mid point of your waveform. For example, if you have a waveform with a minimum value of 0 (zero) volts and a maximum value of 5 volts, then 2.5 volts is the best place to set your trigger level. The reason this is the best choice is that there may be some ringing or noise at both the 0-volt and 5-volt levels that can cause false triggers.

When you adjust the trigger level control, a horizontal dashed line with a T on the right-hand side appears showing you where the trigger level is with respect to your waveform. After a period of time the dashed line will disappear. To redisplay the line, adjust the trigger level control again, or activate the Trigger dialog. A permanent icon with arrow (either T, T<sub>L</sub>, or T<sub>H</sub>) is also displayed on the right side of the waveform area, showing the trigger level.

**Polarity** Use the Polarity control to specify positive or negative pulses.

**Direction** Use Direction to set whether a pulse must be wider (Width >) or narrower (Width <) than the width value to trigger the oscilloscope.

width Use the Width control to define how wide of a pulse will trigger the oscilloscope. The glitch width range is from 1.5 ns to 10 s.

Available trigger conditioning includes HOLDoff and HYSTeresis (Noise Reject).

### **Set the Mode Before Executing Commands**

Before executing the :TRIGger:ADVanced:VIOLation:PWIDth commands, set the mode by entering:

```
:TRIGger:MODE ADVanced and  
:TRIGger:ADVanced:MODE VIOLation and  
:TRIGger:ADVanced:VIOLation:MODE PWIDth
```

To query the oscilloscope for the advanced trigger violation mode, enter:

```
:TRIGger:ADVanced:VIOLation:MODE?
```

---

## VIOLation:PWIDth:DIRection

**Command**           :TRIGger:ADVanced:VIOLation:PWIDth:DIRection  
                      {GTHan|LTHan}

This command specifies whether a pulse must be wider or narrower than the width value to trigger the oscilloscope.

**Query**             :TRIGger:ADVanced:VIOLation:PWIDth:DIRection?

The query returns the currently defined direction for the pulse width trigger.

**Returned Format**   [:TRIGger:ADVanced:VIOLation:PWIDth:DIRection]  
                      {GTHan|LTHan}<NL>

## VIOLation:PWIDth:POLarity

**Command**           :TRIGger:ADVanced:VIOLation:PWIDth:POLarity  
                      {NEGative|POSitive}

This command specifies the pulse polarity that the oscilloscope uses to determine a pulse width violation. For a negative polarity pulse, the oscilloscope triggers when the rising edge of a pulse crosses the trigger level. For a positive polarity pulse, the oscilloscope triggers when the falling edge of a pulse crosses the trigger level.

**Query**               :TRIGger:ADVanced:VIOLation:PWIDth:POLarity?

The query returns the currently defined polarity for the pulse width trigger.

**Returned Format**   [:TRIGger:ADVanced:VIOLation:PWIDth:POLarity]  
                      {NEGative|POSitive}<NL>

---

## VIOLation:PWIDth:SOURce

**Command** :TRIGger:ADVanced:VIOLation:PWIDth:SOURce  
{CHANnel<N> | <digital\_channel> | EXTernal}

**EXTernal is Only Available in Some Infiniium Oscilloscopes**  
**EXTernal is only available in 2-channel Infiniium Oscilloscope model.**

This command specifies the channel source used to trigger the oscilloscope with the pulse width trigger.

<N> An integer, 1 - 2, for two channel Infiniium Oscilloscope.  
An integer, 1 - 4, for all other Infiniium Oscilloscope models.

<level> A real number for the voltage through which the pulse must pass before the oscilloscope will trigger.

<digital\_channel> The digital channels are only available on the MSO oscilloscopes and can be DIGital0 through DIGital15

**Query** :TRIGger:ADVanced:VIOLation:PWIDth:SOURce?

The query returns the currently defined channel source for the pulse width trigger.

**Returned Format** [:TRIGger:ADVanced:VIOLation:PWIDth:SOURce]  
{CHANnel<N>|<digital\_channel>|EXTernal}<NL>

---

## VIOLation:PWIDth:WIDTh

**Command** :TRIGger:ADVanced:VIOLation:PWIDth:WIDTh <width>

This command specifies how wide a pulse must be to trigger the oscilloscope.  
<width> Pulse width, which can range from 1.5 ns to 10 s.

**Query** :TRIGger:ADVanced:VIOLation:PWIDth:WIDTh?

The query returns the currently defined width for the pulse.

**Returned Format** [:TRIGger:ADVanced:VIOLation:PWIDth:WIDTh] <width><NL>



---

# Setup Violation Mode and Commands

Use Setup Violation Mode to find violations of setup and hold times in your circuit.

## **Mode**

Use MODE to select Setup, Hold, or both Setup and Hold time triggering.

You can have the oscilloscope trigger on violations of setup time, hold time, or both setup and hold time. To use Setup Violation Type, the oscilloscope needs a clock waveform, used as the reference, and a data waveform for the trigger source.

- Setup Time Mode** When using the Setup Time Mode, a time window is defined where the right edge is the clock edge and the left edge is the selected time before the clock edge. The waveform must stay outside of the thresholds during this time window. If the waveform crosses a threshold within the time window, a violation event occurs and the oscilloscope triggers.
- Hold Time Mode** When using Hold Time Mode, the waveform must not cross the threshold voltages after the specified clock edge for at least the hold time you have selected. Otherwise, a violation event occurs and the oscilloscope triggers.
- Setup and Hold Time Mode** When using the Setup and Hold Time Mode, if the waveform violates either a setup time or hold time, the oscilloscope triggers.

## **Data Source**

Use the data source (DSOURCE) command to select the channel used as the data, the low-level data threshold, and the high-level data threshold. For data to be considered valid, it must be below the lower threshold or above the upper threshold during the time of interest.

- DSOURCE** Use DSOURCE to select the channel you want to use for the data source.
- Low Threshold** Use the low threshold (LTHRESHOLD) to set the minimum threshold for your data. Data is valid below this threshold.
- High Threshold** Use the high threshold (HTHRESHOLD) to set the maximum threshold for your data. Data is valid above this threshold.

## **Clock Source**

Use the clock source (CSource) command to select the clock source, trigger level, and edge polarity for your clock. Before the trigger circuitry looks for a setup or hold time violation, the clock must pass through the voltage level you have set.

**CSource** Use CSource to select the channel you want to use for the clock source.

**LEVel** Use LEVel to set voltage level on the clock waveform as given in the data book for your logic family.

**RISing or FALLing** Use RISing or FALLing to select the edge of the clock the oscilloscope uses as a reference for the setup or hold time violation trigger.

## **Time**

**Setup Time** Use SETup to set the amount of setup time used to test for a violation. The setup time is the amount of time that the data has to be stable and valid prior to a clock edge. The minimum is 1.5 ns; the maximum is 20 ns.

**Hold Time** Use HOLD to set the amount of hold time used to test for a violation. The hold time is the amount of time that the data has to be stable and valid after a clock edge. The minimum is 1.5 ns; the maximum is 20 ns.

**Setup and Hold** Use SHOLd (Setup and Hold) to set the amount of setup and hold time used to test for a violation.

The setup time is the amount of time that the data has to be stable and valid prior to a clock edge. The hold time is the amount of time that the data waveform has to be stable and valid after a clock edge.

The setup time plus hold time equals 20 ns maximum. So, if the setup time is 1.5 ns, the maximum hold time is 18.5 ns.

Available trigger conditioning includes HOLDoff and HYSTeresis (Noise Reject).

### **Set the Mode Before Executing Commands**

Before executing the :TRIGger:ADVanced:VIOLation:SETup commands, set the mode by entering:

```
:TRIGger:MODE ADVanced and  
:TRIGger:ADVanced:MODE VIOLation and  
:TRIGger:ADVanced:VIOLation:MODE SETup and  
:TRIGger:ADVanced:VIOLation:SETup:MODE <setup_mode>
```

Where <setup\_mode> includes SETup, HOLD, and SHOLd.

To query the oscilloscope for the advanced trigger violation setup mode, enter:

```
:TRIGger:ADVanced:VIOLation:SETup:MODE?
```

---

## VIOLation:SETup:MODE

**Command** :TRIGger:ADVanced:VIOLation:SETup:MODE  
{SETup|HOLD|SHOLD}

**SETup** When using the setup time mode, a time window is defined where the right edge is the clock edge and the left edge is the selected time before the clock edge. The waveform must stay outside of the trigger level thresholds during this time window. If the waveform crosses a threshold during this time window, a violation event occurs and the oscilloscope triggers.

**HOLD** When using the hold time mode, the waveform must not cross the threshold voltages after the specified clock edge for at least the hold time you have selected. Otherwise, a violation event occurs and the oscilloscope triggers.

**SHOLD** When using the setup and hold time mode, if the waveform violates either a setup time or hold time, the oscilloscope triggers. The total time allowed for the sum of setup time plus hold time is 20 ns maximum.

**Query** :TRIGger:ADVanced:VIOLation:SETup:MODE?

The query returns the currently selected trigger setup violation mode.

**Returned Format** [:TRIGger:ADVanced:VIOLation:SETup:MODE]  
{SETup|HOLD|SHOLD}<NL>

---

## VIOLation:SETup:SETup:CSOource

**Command** :TRIGger:ADVanced:VIOLation:SETup:SETup:CSOource  
{CHANnel<N> | EXTernal}

**EXTernal is Only Available in Some Infiniium Oscilloscopes**

**EXTernal is only available in 2-channel Infiniium Oscilloscope model.**

This command specifies the clock source for the clock used for the trigger setup violation. The clock must pass through the voltage level you have set before the trigger circuitry looks for a setup or hold time violation.

<N> An integer, 1 - 2, for two channel Infiniium Oscilloscope.  
An integer, 1 - 4, for all other Infiniium Oscilloscope models.

**Query** :TRIGger:ADVanced:VIOLation:SETup:SETup:CSOource?

The query returns the currently defined clock source for the trigger setup violation.

**Returned Format** [:TRIGger:ADVanced:VIOLation:SETup:SETup:CSOource]  
{CHANnel<N> | EXTernal}<NL>

---

## VIOLation:SETup:SETup:CSOurce:LEVel

**Command**                   :TRIGger:ADVanced:VIOLation:SETup:SETup:CSOurce:  
LEVel { {CHANnel<N>|EXTernal}, <level> }

<b>EXTernal is Only Available in Some Infiniium Oscilloscopes</b> <b>EXTernal is only available in 2-channel Infiniium Oscilloscope model.</b>
---

This command specifies the level for the clock source used for the trigger setup violation. The clock must pass through the voltage level you have set before the trigger circuitry looks for a setup or hold time violation.

- <N> An integer, 1 - 2, for two channel Infiniium Oscilloscope.  
An integer, 1 - 4, for all other Infiniium Oscilloscope models.
- <level> A real number for the voltage level for the trigger setup violation clock waveform, and depends on the type of circuitry logic you are using.

**Query**                   :TRIGger:ADVanced:VIOLation:SETup:SETup:CSOurce:  
LEVel? { {CHANnel<N>|EXTernal} }

The query returns the specified clock source level for the trigger setup violation.

**Returned Format**       [:TRIGger:ADVanced:VIOLation:SETup:SETup:CSOurce:LEVel  
{CHANnel<N>|EXTernal}, ] <level><NL>

---

## VIOLation:SETup:SETup:CSource:EDGE

**Command**                   :TRIGger:ADVanced:VIOLation:SETup:SETup:CSource:  
EDGE {RISing|FALLing}

This command specifies the edge for the clock source used for the trigger setup violation. The clock must pass through the voltage level you have set before the trigger circuitry looks for a setup or hold time violation.

**Query**                     :TRIGger:ADVanced:VIOLation:SETup:SETup:CSource:  
EDGE?

The query returns the currently defined clock source edge for the trigger setup violation.

**Returned Format**       [:TRIGger:ADVanced:VIOLation:SETup:SETup:CSource:EDGE]  
{RISing|FALLing}<NL>

---

## VIOLation:SETup:SETup:DSource

**Command** :TRIGger:ADVanced:VIOLation:SETup:SETup:DSource  
{CHANnel<N> | EXTernal}

<p><b>EXTernal is Only Available in Some Infiniium Oscilloscopes</b> <b>EXTernal is only available in 2-channel Infiniium Oscilloscope model.</b></p>
---

The data source commands specify the data source for the trigger setup violation.

<N> An integer, 1 - 2, for two channel Infiniium Oscilloscope.  
An integer, 1 - 4, for all other Infiniium Oscilloscope models.

**Query** :TRIGger:ADVanced:VIOLation:SETup:SETup:DSource?

The query returns the currently defined data source for the trigger setup violation.

**Returned Format** [:TRIGger:ADVanced:VIOLation:SETup:SETup:DSource]  
{CHANnel<N> | EXTernal}<NL>



---

## VIOLation:SETup:SETup:DSource:HTHReshold

**Command** :TRIGger:ADVanced:VIOLation:SETup:SETup:DSource:  
HTHReshold {{CHANnel<N>|EXTernal},<level>}

**EXTERNAL is Only Available in Some Infiniium Oscilloscopes**

**EXTERNAL is only available in 2-channel Infiniium Oscilloscope model.**

This command specifies the data source for the trigger setup violation, and the high-level data threshold for the selected data source. Data is valid when it is above the high-level data threshold, and when it is below the low-level data threshold.

- <N> An integer, 1 - 2, for two channel Infiniium Oscilloscope.  
An integer, 1 - 4, for all other Infiniium Oscilloscope models.
- <level> A real number for the data threshold level for the trigger setup violation, and is used with the high and low threshold data source commands.

**Query** :TRIGger:ADVanced:VIOLation:SETup:SETup:DSource:  
HTHReshold? {CHANnel<N>|EXTernal}

The query returns the specified data source for the trigger setup violation, and the high data threshold for the data source.

**Returned Format** [:TRIGger:ADVanced:VIOLation:SETup:SETup:DSource:HTHReshold  
{CHANnel<N>|EXTernal}, ] <level><NL>

---

## VIOLation:SETup:SETup:DSource:LTHReshold

**Command** :TRIGger:ADVanced:VIOLation:SETup:SETup:DSource:  
LTHReshold {{CHANnel<N>|EXTernal},<level>}

**EXTERNAL is Only Available in Some Infiniium Oscilloscopes**

**EXTERNAL is only available in 2-channel Infiniium Oscilloscope model.**

This command specifies the data source for the trigger setup violation, and the low-level data threshold for the selected data source. Data is valid when it is above the high-level data threshold, and when it is below the low-level data threshold.

- <N> An integer, 1 - 2, for two channel Infiniium Oscilloscope.  
An integer, 1 - 4, for all other Infiniium Oscilloscope models.
- <level> A real number for the data threshold level for the trigger setup violation, and is used with the high and low threshold data source commands.

**Query** :TRIGger:ADVanced:VIOLation:SETup:SETup:DSource:  
LTHReshold? {CHANnel<N>|EXTernal}

The query returns the specified data source for the trigger setup violation, and the low data threshold for the data source.

**Returned Format** [:TRIGger:ADVanced:VIOLation:SETup:SETup:DSource:LTHReshold  
{CHANnel<N>|EXTernal}, ] <level><NL>

---

## VIOLation:SETup:SETup:TIME

**Command** :TRIGger:ADVanced:VIOLation:SETup:SETup:TIME <time>

This command specifies the amount of setup time used to test for a trigger violation. The setup time is the amount of time that the data must be stable and valid prior to a clock edge.

<time> Setup time, in seconds.

**Query** :TRIGger:ADVanced:VIOLation:SETup:SETup:TIME?

The query returns the currently defined setup time for the trigger violation.

**Returned Format** [:TRIGger:ADVanced:VIOLation:SETup:SETup:TIME] <time><NL>

---

## VIOLation:SETup:HOLD:CSource

**Command** :TRIGger:ADVanced:VIOLation:SETup:HOLD:CSource  
{CHANnel<N>|EXTernal}

<b>EXTernal is Only Available in Some Infiniium Oscilloscopes</b> <b>EXTernal is only available in 2-channel Infiniium Oscilloscope model.</b>
---

This command specifies the clock source for the clock used for the trigger hold violation. The clock must pass through the voltage level you have set before the trigger circuitry looks for a setup or hold time violation.

<N> An integer, 1 - 2, for two channel Infiniium Oscilloscope.  
An integer, 1 - 4, for all other Infiniium Oscilloscope models.

**Query** :TRIGger:ADVanced:VIOLation:SETup:HOLD:CSource?

The query returns the currently defined clock source for the trigger hold violation.

**Returned Format** [:TRIGger:ADVanced:VIOLation:SETup:HOLD:CSource]  
{CHANnel<N>|EXTernal}<NL>

---

## VIOLation:SETup:HOLD:CSource:LEVel

**Command** :TRIGger:ADVanced:VIOLation:SETup:HOLD:CSource:LEVel {CHANnel<N>|EXTernal}, <level>

<b>EXTernal is Only Available in Some Infiniium Oscilloscopes</b> <b>EXTernal is only available in 2-channel Infiniium Oscilloscope model.</b>
---

This command specifies the level for the clock source used for the trigger hold violation. The clock must pass through the voltage level you have set before the trigger circuitry looks for a setup or hold time violation.

- <N> An integer, 1 - 2, for two channel Infiniium Oscilloscope.  
An integer, 1 - 4, for all other nfiniium Oscilloscope models.
- <level> A real number for the voltage level for the trigger hold violation clock waveform, and depends on the type of circuitry logic you are using.

**Query** :TRIGger:ADVanced:VIOLation:SETup:HOLD:CSource:LEVel? {CHANnel<N>|EXTernal}

The query returns the specified clock source level for the trigger hold violation.

**Returned Format** [:TRIGger:ADVanced:VIOLation:SETup:HOLD:CSource:LEVel {CHANnel<N>|EXTernal},] <level><NL>

---

## VIOLation:SETup:HOLD:CSource:EDGE

**Command**           :TRIGger:ADVanced:VIOLation:SETup:HOLD:CSource:  
EDGE {RISing|FALLing}

This command specifies the edge for the clock source used for the trigger hold violation. The clock must pass through the voltage level you have set before the trigger circuitry looks for a setup or hold time violation.

**Query**             :TRIGger:ADVanced:VIOLation:SETup:HOLD:CSource:  
EDGE?

The query returns the currently defined clock source edge for the trigger hold violation.

**Returned Format**   [:TRIGger:ADVanced:VIOLation:SETup:HOLD:CSource:EDGE]  
{RISing|FALLing}<NL>

---

## VIOLation:SETup:HOLD:DSource

**Command** :TRIGger:ADVanced:VIOLation:SETup:HOLD:DSource  
{CHANnel<N> | EXTernal}

**EXTernal is Only Available in Some Infiniium Oscilloscopes**

**EXTernal is only available in 2-channel Infiniium Oscilloscope model.**

The data source commands specify the data source for the trigger hold violation.

<N> An integer, 1 - 2, for two channel Infiniium Oscilloscope.  
An integer, 1 - 4, for all other Infiniium Oscilloscope models.

**Query** :TRIGger:ADVanced:VIOLation:SETup:HOLD:DSource?

The query returns the currently defined data source for the trigger hold violation.

**Returned Format** [:TRIGger:ADVanced:VIOLation:SETup:HOLD:DSource]  
{CHANnel<N> | EXTernal}<NL>

---

## VIOLation:SETup:HOLD:DSource:HTHReshold

**Command** :TRIGger:ADVanced:VIOLation:SETup:HOLD:DSource:HTHReshold {{CHANnel<N>|EXTernal},<level>}

**EXTERNAL is Only Available in Some Infiniium Oscilloscopes**

**EXTERNAL is only available in 2-channel Infiniium Oscilloscope model.**

This command specifies the data source for the trigger hold violation, and the high-level data threshold for the selected data source. Data is valid when it is above the high-level data threshold, and when it is below the low-level data threshold.

- <N> An integer, 1 - 2, for two channel Infiniium Oscilloscope.  
An integer, 1 - 4, for all other Infiniium Oscilloscope models.
- <level> A real number for the data threshold level for the trigger hold violation, and is used with the high and low threshold data source commands.

**Query** :TRIGger:ADVanced:VIOLation:SETup:HOLD:DSource:HTHReshold? {CHANnel<N>|EXTernal}

The query returns the specified data source for the trigger hold violation, and the high data threshold for the data source.

**Returned Format** [:TRIGger:ADVanced:VIOLation:SETup:HOLD:DSource:HTHReshold {CHANnel<N>|EXTernal}, ] <level><NL>



---

## VIOLation:SETup:HOLD:DSource:LTHReshold

**Command** :TRIGger:ADVanced:VIOLation:SETup:HOLD:DSource:  
LTHReshold {{CHANnel<N>|EXTernal},<level>}

**EXTERNAL is Only Available in Some Infiniium Oscilloscopes**

**EXTERNAL is only available in 2-channel Infiniium Oscilloscope model.**

This command specifies the data source for the trigger hold violation, and the low-level data threshold for the selected data source. Data is valid when it is above the high-level data threshold, and when it is below the low-level data threshold.

- <N> An integer, 1 - 2, for two channel Infiniium Oscilloscope.  
An integer, 1 - 4, for all other Infiniium Oscilloscope models.
- <level> A real number for the data threshold level for the trigger hold violation, and is used with the high and low threshold data source commands.

**Query** :TRIGger:ADVanced:VIOLation:SETup:HOLD:DSource:  
LTHReshold? {CHANnel<N>|EXTernal}

The query returns the specified data source for the trigger hold violation, and the low data threshold for the data source.

**Returned Format** [:TRIGger:ADVanced:VIOLation:SETup:HOLD:DSource:LTHReshold  
{CHANnel<N>|EXTernal}, ] <level><NL>

---

## VIOLation:SETup:HOLD:TIME

**Command** :TRIGger:ADVanced:VIOLation:SETup:HOLD:TIME <time>

This command specifies the amount of hold time used to test for a trigger violation. The hold time is the amount of time that the data must be stable and valid after a clock edge.

<time> Hold time, in seconds.

**Query** :TRIGger:ADVanced:VIOLation:SETup:HOLD:TIME?

The query returns the currently defined hold time for the trigger violation.

**Returned Format** [:TRIGger:ADVanced:VIOLation:SETup:HOLD:TIME] <time><NL>

---

## VIOLation:SETup:SHOLd:CSOource

**Command** :TRIGger:ADVanced:VIOLation:SETup:SHOLd:CSOource:  
{CHANnel<N>|EXTernal}

**EXTernal is Only Available in Some Infiniium Oscilloscopes**

**EXTernal is only available in 2-channel Infiniium Oscilloscope model.**

This command specifies the clock source for the clock used for the trigger setup and hold violation. The clock must pass through the voltage level you have set before the trigger circuitry looks for a setup and hold time violation.

<N> An integer, 1 - 2, for two channel Infiniium Oscilloscope.  
An integer, 1 - 4, for all other Infiniium Oscilloscope models.

**Query** :TRIGger:ADVanced:VIOLation:SETup:SHOLd:CSOource?

The query returns the currently defined clock source for the trigger setup and hold violation.

**Returned Format** [:TRIGger:ADVanced:VIOLation:SETup:SHOLd:CSOource]  
{CHANnel<N>|EXTernal}<NL>

---

## VIOLation:SETup:SHOLd:CSourc:e:LEVel

**Command**                   :TRIGger:ADVanced:VIOLation:SETup:SHOLd:CSourc:e:  
LEVel {CHANnel<N>|EXTernal}, <level>}

<b>EXTernal is Only Available in Some Infiniium Oscilloscopes</b> <b>EXTernal is only available in 2-channel Infiniium Oscilloscope model.</b>
---

This command specifies the clock source trigger level for the clock used for the trigger setup and hold violation. The clock must pass through the voltage level you have set before the trigger circuitry looks for a setup and hold time violation.

- <N> An integer, 1 - 2, for two channel Infiniium Oscilloscope.  
An integer, 1 - 4, for all other Infiniium Oscilloscope models.
- <level> A real number for the voltage level for the trigger setup and hold violation clock waveform, and depends on the type of circuitry logic you are using.

**Query**                   :TRIGger:ADVanced:VIOLation:SETup:SHOLd:CSourc:e:  
LEVel? {CHANnel<N>|EXTernal}

The query returns the specified clock source level for the trigger setup and hold violation level for the clock source.

**Returned Format**       [:TRIGger:ADVanced:VIOLation:SETup:SHOLd:CSourc:e:LEVel  
{CHANnel<N>|EXTernal}, ] <level><NL>

---

## VIOlation:SETup:SHOLd:CSOurce:EDGE

**Command**                   :TRIGger:ADVanced:VIOlation:SETup:SHOLd:CSOurce:  
EDGE {RISing|FALLing}

This command specifies the clock source trigger edge for the clock used for the trigger setup and hold violation. The clock must pass through the voltage level you have set before the trigger circuitry looks for a setup and hold time violation.

**Query**                     :TRIGger:ADVanced:VIOlation:SETup:SHOLd:CSOurce:  
EDGE?

The query returns the currently defined clock source edge for the trigger setup and hold violation level for the clock source.

**Returned Format**       [:TRIGger:ADVanced:VIOlation:SETup:SHOLd:CSOurce:EDGE]  
{RISing|FALLing}<NL>

---

## VIOLation:SETup:SHOLd:DSource

**Command** :TRIGger:ADVanced:VIOLation:SETup:SHOLd:DSource  
{CHANnel<N> | EXTernal}

<b>EXTernal is Only Available in Some Infiniium Oscilloscopes</b> <b>EXTernal is only available in 2-channel Infiniium Oscilloscope model.</b>
---

The data source commands specify the data source for the trigger setup and hold violation.

<N> An integer, 1 - 2, for two channel Infiniium Oscilloscope.  
An integer, 1 - 4, for all other Infiniium Oscilloscope models.

**Query** :TRIGger:ADVanced:VIOLation:SETup:SHOLd:DSource?

The query returns the currently defined data source for the trigger setup and hold violation.

**Returned Format** [:TRIGger:ADVanced:VIOLation:SETup:SHOLd:DSource]  
{CHANnel<N> | EXTernal}<NL>

---

## VIOLation:SETup:SHOLd:DSOURCE:HTHReshold

**Command** :TRIGger:ADVanced:VIOLation:SETup:SHOLd:DSOURCE:HTHReshold {{CHANnel<N>|EXTernal},<level>}

**EXTERNAL is Only Available in Some Infiniium Oscilloscopes**

**EXTERNAL is only available in 2-channel Infiniium Oscilloscope model.**

This command specifies the data source for the trigger setup and hold violation, and the high-level data threshold for the selected data source. Data is valid when it is above the high-level data threshold, and when it is below the low-level data threshold.

- <N> An integer, 1 - 2, for two channel Infiniium Oscilloscope.  
An integer, 1 - 4, for all other Infiniium Oscilloscope models.
- <level> A real number for the data threshold level for the trigger setup and hold violation, and is used with the high and low threshold data source commands.

**Query** :TRIGger:ADVanced:VIOLation:SETup:SHOLd:DSOURCE:HTHReshold? {CHANnel<N>|EXTernal}

The query returns the specified data source for the trigger setup and hold violation, and the high data threshold for the data source.

**Returned Format** [:TRIGger:ADVanced:VIOLation:SETup:SHOLd:DSOURCE:HTHReshold {CHANnel<N>|EXTernal}, ] <level><NL>

---

## VIOLation:SETup:SHOLd:DSOurce:LTHReshold

**Command** :TRIGger:ADVanced:VIOLation:SETup:SHOLd:DSOurce:LTHReshold {{CHANnel<N>|EXTernal},<level>}

**EXTernal is Only Available in Some Infiniium Oscilloscopes**

**EXTernal is only available in 2-channel Infiniium Oscilloscope model.**

This command specifies the data source for the trigger setup and hold violation, and the low-level data threshold for the selected data source. Data is valid when it is above the high-level data threshold, and when it is below the low-level data threshold.

- <N> An integer, 1 - 2, for two channel Infiniium Oscilloscope.  
An integer, 1 - 4, for all other Infiniium Oscilloscope models.
- <level> A real number for the data threshold level for the trigger setup and hold violation, and is used with the high and low threshold data source commands.

**Query** :TRIGger:ADVanced:VIOLation:SETup:SHOLd:DSOurce:LTHReshold? {CHANnel<N>|EXTernal}

The query returns the specified data source for the setup and trigger hold violation, and the low data threshold for the data source.

**Returned Format** [:TRIGger:ADVanced:VIOLation:SETup:SHOLd:DSOurce:LTHReshold {CHANnel<N>|EXTernal}, ] <level><NL>



---

## VIOlation:SETup:SHOLd:SetupTIME (STIME)

**Command** :TRIGger:ADVanced:VIOlation:SETup:SHOLd:SetupTIME  
<time>

This command specifies the amount of setup time used to test for both a setup and hold trigger violation. The setup time is the amount of time that the data must be stable and valid before a clock edge.

<time> Setup time, in seconds.

**Query** :TRIGger:ADVanced:VIOlation:SETup:SHOLd:SetupTIME?

The query returns the currently defined setup time for the setup and hold trigger violation.

**Returned Format** [:TRIGger:ADVanced:VIOlation:SETup:SHOLd:SetupTIME] <time><NL>

## Trigger Commands

### VIOLation:SETup:SHOLd:HoldTIME (HTIME)

---

## VIOLation:SETup:SHOLd:HoldTIME (HTIME)

**Command** :TRIGger:ADVanced:VIOLation:SETup:SHOLd:HoldTIME  
<time>

This command specifies the amount of hold time used to test for both a setup and hold trigger violation. The hold time is the amount of time that the data must be stable and valid after a clock edge.

<time> Hold time, in seconds.

**Query** :TRIGger:ADVanced:VIOLation:SETup:SHOLD:HoldTIME?

The query returns the currently defined hold time for the setup and hold trigger violation.

**Returned Format** [:TRIGger:ADVanced:VIOLation:SETup:SHOLD:HoldTIME] <time><NL>

---

## Transition Violation Mode

Use Transition Violation Mode to find any edge in your waveform that violates a rise time or fall time specification. Infiniium Oscilloscopes find a transition violation trigger by looking for any pulses in your waveform with rising or falling edges that do not cross two voltage levels in the amount of time you have specified.

The rise time is measured from the time that your waveform crosses the low threshold until it crosses the high threshold. The fall time is measured from the time that the waveform crosses the high threshold until it crosses the low threshold.

- Source** Use Source to select the channel used for a transition violation trigger.
- Low Threshold** Use Low Threshold to set the low voltage threshold.
- High Threshold** Use High Threshold to set the high voltage threshold.
- Type** Use Type to select Rise Time or Fall Time violation.
- Trigger On** Trigger On parameters include **> Time** and **< Time**.
  - > Time** Use **> Time** to look for transition violations that are longer than the time specified.
  - < Time** Use **< Time** to look for transition violations that are less than the time specified.
- Time** Use Time to set the amount of time to determine a rise time or fall time violation.

Available trigger conditioning includes **HOLDoff** and **HYSTeresis** (Noise Reject).

### **Set the Mode Before Executing Commands**

Before executing the :TRIGger:ADVanced:VIOLation:TRANSition commands, set the mode by entering:

```
:TRIGger:MODE ADVanced and  
:TRIGger:ADVanced:MODE VIOLation and  
:TRIGger:ADVanced:VIOLation:MODE TRANSition
```

To query the oscilloscope for the advanced trigger violation mode, enter:

```
:TRIGger:ADVanced:VIOLation:MODE?
```

---

## VIOLation:TRANSition

**Command**                   :TRIGger:ADVanced:VIOLation:TRANSition:  
                              {GTHan|LTHan} <time>

This command lets you look for transition violations that are greater than or less than the time specified.

<time> The time for the trigger violation transition, in seconds.

**Query**                       :TRIGger:ADVanced:VIOLation:TRANSition:  
                              {GTHan|LTHan}?

The query returns the currently defined time for the trigger transition violation.

**Returned Format**           [:TRIGger:ADVanced:VIOLation:TRANSition:{GTHan|LTHan}]  
                              <time><NL>

---

## VIOLation:TRANSition:SOURce

**Command**                   :TRIGger:ADVanced:VIOLation:TRANSition:SOURce  
                              {CHANnel<N>|EXTernal}

<p><b>EXTernal is Only Available in Some Infiniium Oscilloscopes</b> <b>EXTernal is only available in 2-channel Infiniium Oscilloscope model.</b></p>
---

The transition source command lets you find any edge in your waveform that violates a rise time or fall time specification. The oscilloscope finds a transition violation trigger by looking for any pulses in your waveform with rising or falling edges that do not cross two voltage levels in the amount of time you have specified.

<N> An integer, 1 - 2, for two channel Infiniium Oscilloscope.  
An integer, 1 - 4, for all other Infiniium Oscilloscope models.

**Query**                       :TRIGger:ADVanced:VIOLation:TRANSition:SOURce?

The query returns the currently defined transition source for the trigger transition violation.

**Returned Format**           [:TRIGger:ADVanced:VIOLation:TRANSition:SOURce]  
                              {CHANnel<N>|EXTernal}<NL>

---

## VIOLation:TRANSition:SOURce:HTHReshold

**Command**                   :TRIGger:ADVanced:VIOLation:TRANSition:SOURce:  
HTHReshold {{CHANnel<N>|EXTernal},<level>}

**EXTERNAL is Only Available in Some Infiniium Oscilloscopes**  
**EXTERNAL is only available in 2-channel Infiniium Oscilloscope model.**

This command lets you specify the source and high threshold for the trigger violation transition. The oscilloscope finds a transition violation trigger by looking for any pulses in your waveform with rising or falling edges that do not cross two voltage levels in the amount of time you have specified.

- <N> An integer, 1 - 2, for two channel Infiniium Oscilloscope.  
An integer, 1 - 4, for all other Infiniium Oscilloscope models.
- <level> A real number for the voltage threshold level for the trigger transition violation, and is used with the high and low threshold transition source commands.

**Query**                   :TRIGger:ADVanced:VIOLation:TRANSition:SOURce:  
HTHReshold? {CHANnel<N>|EXTernal}

The query returns the specified transition source for the trigger transition high threshold violation.

**Returned Format**       [:TRIGger:ADVanced:VIOLation:TRANSition:SOURce:HTHReshold  
{CHANnel<N>|EXTernal}, ] <level><NL>

---

## VIOLation:TRANSition:SOURce:LTHReshold

**Command** :TRIGger:ADVanced:VIOLation:TRANSition:SOURce:  
LTHReshold {{CHANnel<N>|EXTernal},<level>}

**EXTernal is Only Available in Some Infiniium Oscilloscopes**

**EXTernal is only available in 2-channel Infiniium Oscilloscope model.**

This command lets you specify the source and low threshold for the trigger violation transition. The oscilloscope finds a transition violation trigger by looking for any pulses in your waveform with rising or falling edges that do not cross two voltage levels in the amount of time you have specified.

- <N> An integer, 1 - 2, for two channel Infiniium Oscilloscope.  
An integer, 1 - 4, for all other Infiniium Oscilloscope models.
- <level> A real number for the voltage threshold level for the trigger transition violation, and is used with the high and low threshold transition source commands.

**Query** :TRIGger:ADVanced:VIOLation:TRANSition:SOURce:  
LTHReshold? {CHANnel<N>|EXTernal}

The query returns the currently defined transition source for the trigger transition low threshold violation.

**Returned Format** [:TRIGger:ADVanced:VIOLation:TRANSition:SOURce:LTHReshold  
{CHANnel<N>|EXTernal}, ] <level><NL>



---

## VIOLation:TRANSition:TYPE

**Command**                   :TRIGger:ADVanced:VIOLation:TRANSition:TYPE  
                              {RISetime|FALLtime}

This command lets you select either a rise time or fall time transition violation trigger event.

**Query**                     :TRIGger:ADVanced:VIOLation:TRANSition:TYPE?

The query returns the currently defined transition type for the trigger transition violation.

**Returned Format**       [:TRIGger:ADVanced:VIOLation:TRANSition:TYPE]  
                              {RISetime|FALLtime}<NL>





---

# Waveform Commands

The WAVEform subsystem is used to transfer waveform data between a computer and the oscilloscope. It contains commands to set up the waveform transfer and to send or receive waveform records to or from the oscilloscope. These WAVEform commands and queries are implemented in the Infiniium Oscilloscopes:

- BANDpass?
- BYTeorder
- COMPlete?
- COUNT?
- COUPling?
- DATA?
- FORMat
- POINts?
- PREamble
- SEGmented:COUNT?
- SEGmented:TTAG?
- SOURce
- TYPE?
- VIEW
- XDISplay?
- XINCrement?
- XORigin?
- XRANge?
- XREFerence?
- XUNits?
- YDISplay?
- YINCrement?
- YORigin?
- YRANge?
- YREFerence?
- YUNits?

## Data Acquisition

When data is acquired using the DIGitize command, the data is placed in the channel or function memory of the specified source. After the DIGitize command executes, the oscilloscope is stopped. If the oscilloscope is restarted by your program or from the front panel, the data acquired with the DIGitize command is overwritten.

You can query the preamble, elements of the preamble, or waveform data while the oscilloscope is running, but the data will reflect only the current acquisition, and subsequent queries will not reflect consistent data. For example, if the oscilloscope is running and you query the X origin, the data is queried in a separate command, it is likely that the first point in the data will have a different time than that of the X origin. This is due to data acquisitions that may have occurred between the queries. For this reason, Agilent Technologies does not recommend this mode of operation. Instead, you should use the DIGitize command to stop the oscilloscope so that all subsequent queries will be consistent.

**Function and channel data are volatile and must be read following a DIGitize command or the data will be lost when the oscilloscope is turned off.**

## Waveform Data and Preamble

The waveform record consists of two parts: the preamble and the waveform data. The waveform data is the actual sampled data acquired for the specified source. The preamble contains the information for interpreting the waveform data, including the number of points acquired, the format of the acquired data, and the type of acquired data. The preamble also contains the X and Y increments, origins, and references for the acquired data.

The values in the preamble are set when you execute the DIGitize command. The preamble values are based on the current settings of the oscilloscope's controls.

### **Data Conversion**

Data sent from the oscilloscope must be scaled for useful interpretation. The values used to interpret the data are the X and Y origins and X and Y increments. These values can be read from the waveform preamble.

### **Conversion from Data Values to Units**

To convert the waveform data values (essentially A/D counts) to real-world units, such as volts, use the following scaling formulas:

Y-axis Units = data value  $\times$  Yincrement + Yorigin (analog channels)

X-axis Units = data index  $\times$  Xincrement + Xorigin,

where the data index starts at zero: 0, 1, 2, ..., n-1.

The first data point for the time (X-axis units) must be zero, so the time of the first data point is the X origin.

### **Data Format for Data Transfer**

There are four types of data formats that you can select using the :WAVEform:FORMat command: ASCii, BYTE, WORD, and LONG. Refer to the FORMat command in this chapter for more information on data formats.

---

## BANDpass?

**Query** :WAVEform:BANDpass?

The :WAVEform:BANDpass? query returns an estimate of the maximum and minimum bandwidth limits of the source waveform. The bandwidth limits are computed as a function of the coupling and the selected filter mode. The cutoff frequencies are derived from the acquisition path and software filtering.

**Returned Format** [:WAVEform:BANDpass]<lower\_cutoff>,<upper\_cutoff><NL>

<lower\_cutoff> Minimum frequency passed by the acquisition system.

<upper\_cutoff> Maximum frequency passed by the acquisition system.

---

### Example

This example places the estimated maximum and minimum bandwidth limits of the source waveform in the string variable, Bandwidth\$, then prints the contents of the variable to the computer's screen.

```
10 DIM Bandwidth$[50]!Dimension variable
20 OUTPUT 707;" :WAVEFORM:BANDPASS?"
30 ENTER 707;Bandwidth$
40 PRINT Bandwidth$
50 END
```

---

## BYTeorder

**Command**                   :WAVeform:BYTeorder {MSBFirst | LSBFirst}

The :WAVeform:BYTeorder command selects the order in which bytes are transferred to and from the oscilloscope using WORD and LONG formats. If MSBFirst is selected, the most significant byte is transferred first. Otherwise, the least significant byte is transferred first. The default setting is MSBFirst.

### **MSBFirst and LSBFirst**

**The data transfer rate is faster using the LSBFirst byte order.**

**MSBFirst is for microprocessors like Motorola's, where the most significant byte resides at the lower address. LSBFirst is for microprocessors like Intel's, where the least significant byte resides at the lower address.**

---

**Example**                   This example sets up the oscilloscope to send the most significant byte first during data transmission.

```
10 OUTPUT 707; ":WAVEFORM:BYTEORDER MSBFIRST"  
20 END
```

---

**Query**                    :WAVeform:BYTeorder?

The :WAVeform:BYTeorder? query returns the current setting for the byte order.

**Returned Format**       [:WAVeform:BYTeorder] {MSBFirst | LSBFirst}<NL>

---

**Example**                   This example places the current setting for the byte order in the string variable, Setting\$, then prints the contents of the variable to the computer's screen.

```
10 DIM Setting$[10]!Dimension variable  
20 OUTPUT 707; ":WAVEFORM:BYTEORDER?"  
30 ENTER 707;Setting$  
40 PRINT Setting$  
50 END
```



---

## COMPLete?

**Query** :WAVEform:COMPLete?

The :WAVEform:COMPLete? query returns the percent of time buckets that are complete for the currently selected waveform.

For the NORMal, RAW, and INTerpolate waveform types, the percent complete is the percent of the number of time buckets that have data in them, compared to the memory depth.

For the AVERage waveform type, the percent complete is the number of time buckets that have had the specified number of hits divided by the memory depth. The hits are specified by the :ACQuire:AVERage:COUNT command.

For the VERSus waveform type, percent complete is the least complete of the X-axis and Y-axis waveforms.

**Returned Format** [:WAVEform:COMPLete] <criteria><NL>

<criteria> 0 to 100 percent, rounded down to the closest integer.

---

### Example

This example places the current completion criteria in the string variable, Criteria\$, then prints the contents of the variable to the computer's screen.

```
10 DIM Criteria$[10]!Dimension variable
20 OUTPUT 707;" :WAVEFORM:COMPLETE?"
30 ENTER 707;Criteria$
40 PRINT Criteria$
50 END
```

---

## COUNT?

**Query**                   :WAVEform:COUNT?

The :WAVEform:COUNT? query returns the fewest number of hits in all of the time buckets for the currently selected waveform. For the AVERage waveform type, the count value is the fewest number of hits for all time buckets. This value may be less than or equal to the value specified with the :ACQuire:AVERage:COUNT command.

For the NORMal, RAW, INTerpolate, and VERSus waveform types, the count value returned is one, unless the data contains holes (sample points where no data is acquired). If the data contains holes, zero is returned.

**Returned Format**       [:WAVEform:COUNT] <number><NL>

<number> An integer. Values range from 0 to 1 for NORMal, RAW, or INTerpolate types, and VERSus type. If averaging is on values range from 0 to 4096.

---

**Example**                   This example places the current count field value in the string variable, Count\$, then prints the contents of the variable to the computer's screen.

```
10 DIM Count$[50]!Dimension variable
20 OUTPUT 707; ":WAVEFORM:COUNT?"
30 ENTER 707;Count$
40 PRINT Count$
50 END
```

---

---

## COUPling?

**Query** :WAVeform:COUPling?

The :WAVeform:COUPling? query returns the input coupling of the currently selected source.

**Returned Format** [:WAVeform:COUPling] {AC | DC | DCFifty | LFRreject}<NL>

---

**Example**

This example places the current input coupling of the selected waveform in the string variable, Setting\$, then prints the contents of the variable.

```
10 DIM Setting$[10]!Dimension variable
20 OUTPUT 707;":WAVEFORM:COUPLING?"
30 ENTER 707;Setting$
40 PRINT Setting$
50 END
```

---

**See Also**

The :CHANnel<N>:INPut command sets the coupling for a particular channel. You can use the :WAVeform:SOURce command to set the source for the coupling query.

<b>Source</b>	<b>Return Value</b>
<b>CGRade</b>	<b>Coupling of the lowest numbered channel that is on.</b>
<b>CHANnel</b>	<b>The coupling of the channel number</b>
<b>FUNcTion</b>	<b>The coupling of the lowest numbered channel in the function</b>
<b>WMEMory</b>	<b>The coupling value of the source that was loaded into the waveform memory. If channel 1 was loaded, it would be the channel 1 coupling value.</b>



---

**BASIC Example**

This example places the current waveform data from channel 1 of the array Wdata in the word format.

```

10 OUTPUT 707; ":SYSTEM:HEADER OFF"!Response headers off
20 OUTPUT 707; ":WAVEFORM:SOURCE CHANNEL1!Select source
30 OUTPUT 707; ":WAVEFORM:FORMAT WORD"!Select word format
40 OUTPUT 707; ":WAVEFORM:DATA?"
50 ENTER 707 USING "#,1A";Pound_sign$
60 ENTER 707 USING "#,1D";Header_length
70 ENTER 707 USING "#,&VAL$(Header_length)&"D";Length
80 Length = Length/2!Length in words
90 ALLOCATE INTEGER Wdata(1:Length)
100 ENTER 707 USING "#,W";Wdata(*)
110 ENTER 707 USING "-K,B";End$
120 END

```

---

**HP BASIC Image Specifiers**

**#** is an HP BASIC image specifier that terminates the statement when the last ENTER item is terminated. EOI and line feed are the item terminators.

**1A** is an HP BASIC image specifier that places the next character received in a string variable.

**1D** is an HP BASIC image specifier that places the next character in a numeric variable.

**W** is an HP BASIC image specifier that places the data in the array in word format with the first byte entered as the most significant byte.

**-K** is an HP BASIC image specifier that places the block data in a string, including carriage returns and line feeds until EOI is true or when the dimensioned length of the string is reached.

**B** is an HP BASIC specifier that enters the next byte in a variable.

The format of the waveform data must match the format previously specified by the :WAVEform:FORMat, :WAVEform:BYTeorder, and :WAVEform:PREAmble commands.

## DATA? Example for Analog Channels

The following C example shows how to transfer both BYTE and WORD formatted waveform data for analog channels to a computer. There is a file on the Infiniium Oscilloscope Example Programs disk called readdata.c in the c directory that contains this program.

```
/* readdata. c */

/* Reading Byte and Word format Example. This program demonstrates the order of
commands suggested for operation of the Infiniium oscilloscope by LAN or GPIB.
This program initializes the scope, acquires data, transfers data in both
the BYTE and WORD formats, converts the data into voltage and time values,
and stores the data on the PC as time, word voltage values, and byte
voltage values in a comma-separated file format. This format is useful
for spreadsheet applications. It assumes a SICL GPIB interface card exists
as 'hpib7' and an Infiniium oscilloscope at address 7. It also requires a
waveform connected to Channel 1.
*/

#include <stdio.h> /* location of: printf() */
#include <stdlib.h> /* location of: atof(), atoi() */
#include <string.h> /* location of: strlen() */
#include <sicl.h>

/* Prototypes */
int InitIO( void );
void WriteIO( char *buffer );
unsigned long ReadByte( char *buffer, unsigned long BytesToRead);
unsigned long ReadWord( short *buffer, unsigned long BytesToRead);
void ReadDouble( double *buffer );
void CloseIO( void );
void AcquireData( void );
void GetVoltageConversionFactors( double *yInc, double *yOrg );
void GetTimeConversionFactors( double *xInc, double *xOrg );
void CreateTimeData( double xInc,
                    double xOrg,
                    unsigned long AcquiredLength,
                    double *TimeValues );
void ConvertWordDataToVolts( short *byteData,
                            double *byteVolts,
                            unsigned long AcquiredLength,
                            double yInc,
                            double yOrg );
```

```
void ConvertByteDataToVolts( char *byteData,
                             double *byteVolts,
                             unsigned long AcquiredLength,
                             double yInc,
                             double yOrg );
void WriteCsvToFile( double *TimeValues,
                    double *wordVolts,
                    double *byteVolts,
                    unsigned long AcquiredLength );
unsigned long SetupDataTransfer( void );

/* Defines */
#define MAX_LENGTH 131072

#ifdef LAN
    #define INTERFACE "lan[130.29.71.203]:hpib7,7"
#elseif
    #define INTERFACE "hpib7"
#endif

#define DEVICE_ADDR "hpib7,7"
#define TRUE 1
#define FALSE 0
#define IO_TIMEOUT 20000

/* Globals */
INST bus;
INST scope;
double TimeValues[MAX_LENGTH]; /* Time value of data */
double byteVolts[MAX_LENGTH]; /* Voltage value of data in byte format */
double wordVolts[MAX_LENGTH]; /* Voltage value of data in word format */
short wordData[MAX_LENGTH/2]; /* Buffer for reading word format data */
char byteData[MAX_LENGTH]; /* Buffer for reading byte format data */
```

## Waveform Commands

### DATA? Example for Analog Channels

```
void main( void )
{
    double xOrg=0.0, xInc=0.0; /* Values used to create time data */
    double yOrg=0.0, yInc=0.0; /* Values used to convert data to volts */
    char Term;
    unsigned long BytesToRead;

    if ( !InitIO() ) {
        exit( 1 );
    }

    AcquireData();

    WriteIO( ":WAVEform:FORMat WORD" ); /* Setup transfer format */
    WriteIO( ":WAVEform:BYTeorder LSBFirst" ); /* Setup transfer of LSB first */
    WriteIO( ":WAVEform:SOURce CHANnel1" ); /* Waveform data source channel 1 */

    GetVoltageConversionFactors( &yInc, &yOrg );
    BytesToRead = SetupDataTransfer();
    ReadWord( wordData, BytesToRead );
    ReadByte( &Term, 1L ); /* Read termination character */
    ConvertWordDataToVolts( wordData, wordVolts, BytesToRead,
                           yInc, yOrg );

    WriteIO(":WAVEform:FORMat BYTE"); /* Setup transfer format */

    GetVoltageConversionFactors( &yInc, &yOrg );
    BytesToRead = SetupDataTransfer();
    ReadByte( byteData, BytesToRead );
    ReadByte( &Term, 1L ); /* Read the termination character */
    ConvertByteDataToVolts( byteData, byteVolts, BytesToRead,
                           yInc, yOrg );

    GetTimeConversionFactors( &xInc, &xOrg );
    CreateTimeData( xInc, xOrg, BytesToRead, TimeValues );

    WriteCsvToFile( TimeValues, wordVolts, byteVolts, BytesToRead );

    CloseIO( );
}
```



```
/* *****  
* Function name:  InitIO  
* Parameters:    none  
* Return value:  none  
* Description:   This routine initializes the SICL environment.  It sets up  
*               error handling, opens both an interface and device session,  
*               sets timeout values, clears the GPIB interface card,  
*               and clears the oscilloscope's GPIB card by performing a  
*               Selected Device Clear.  
* *****/  
  
int InitIO( void )  
{  
  
    ionerror( I_ERROR_EXIT );          /* set-up interface error handling */  
  
    bus = iopen( INTERFACE );          /* open interface session */  
    if ( bus == 0 ) {  
        printf( "Bus session invalid\n" );  
        return FALSE;  
    }  
  
    itimeout( bus, IO_TIMEOUT );       /* set bus timeout */  
    iclear( bus );                     /* clear the interface */  
  
#ifdef LAN  
    scope = bus;  
#else  
    scope = iopen( DEVICE_ADDR );      /* open the scope device session */  
    if ( scope == 0 ) {  
        printf( "Scope session invalid\n" );  
        iclose( bus );                 /* close interface session */  
        _siclcleanup();                /* required for 16-bit applications */  
        return FALSE;  
    }  
  
    itimeout( scope, IO_TIMEOUT );     /* set device timeout */  
    iclear( scope );                   /* perform Selected Device Clear on oscilloscope */  
#endif  
}
```

## Waveform Commands

### DATA? Example for Analog Channels

```
/******  
* Function name: WriteIO  
* Parameters: char *buffer which is a pointer to the character  
*             string to be output  
* Return value: none  
* Description: This routine outputs strings to the oscilloscope device  
*             session using SICL commands.  
******/
```

```
void WriteIO( char *buffer )  
{  
    unsigned long actualcnt;  
    unsigned long BytesToWrite;  
    int send_end = 1;  
  
    BytesToWrite = strlen( buffer );  
  
    iwrite( scope, buffer, BytesToWrite, send_end, &actualcnt );  
}
```

```
/******  
* Function name: ReadByte  
* Parameters: char *buffer which is a pointer to the array to store  
*             the read bytes  
*             unsigned long BytesToRead which indicates the maximum  
*             number of bytes to read  
* Return value: integer which indicates the actual number of bytes read  
* Description: This routine inputs strings from the scope device session  
*             using SICL commands.  
******/
```

```
unsigned long ReadByte( char *buffer, unsigned long BytesToRead )  
{  
    unsigned long BytesRead;  
    int reason;  
  
    BytesRead = BytesToRead;  
    ired( scope, buffer, BytesToRead, &reason, &BytesRead );  
  
    return BytesRead;  
}
```

```
/* *****  
* Function name:  ReadWord  
* Parameters:    short *buffer which is a pointer to the word array  
*               to store the bytes read  
*               unsigned long BytesToRead which indicates the maximum  
*               number of bytes to read  
* Return value: integer which indicates the actual number of bytes read  
* Description:  This routine inputs an array of short values from the  
*               oscilloscope device session using SICL commands.  
* *****/  
  
unsigned long ReadWord( short *buffer, unsigned long BytesToRead )  
{  
    long BytesRead;  
    int reason;  
  
    BytesRead = BytesToRead;  
    ired( scope, (char *) buffer, BytesToRead, &reason, &BytesRead );  
  
    return BytesRead;  
}  
  
/* *****  
* Function name:  ReadDouble  
* Parameters:    double *buffer which is a pointer to the float value to read  
* Return value: none  
* Description:  This routine inputs a float value from the oscilloscope  
*               device session using SICL commands.  
* *****/  
  
void ReadDouble( double *buffer )  
{  
    iscanf( scope, "%lf", buffer );  
}
```

## Waveform Commands

### DATA? Example for Analog Channels

```
/* *****  
* Function name: close_IO  
* Parameters: none  
* Return value: none  
* Description: This routine closes device and interface sessions for the  
* SICL environment, and calls the routine _siclcleanup  
* which de-allocates resources used by the SICL environment.  
* *****/  
  
void CloseIO( void )  
{  
  
    iclose( scope ); /* close device session */  
    iclose( bus ); /* close interface session */  
  
    _siclcleanup(); /* required for 16-bit applications */  
  
}  
  
/* *****  
* Function name: AcquireData  
* Parameters: none  
* Return value: none  
* Description: This routine acquires data using the current  
* oscilloscope settings.  
* *****/  
  
void AcquireData( void )  
{  
    /*  
    * The root level :DIGitize command is recommended for acquiring new  
    * waveform data. It initialize's the oscilloscope's data buffers,  
    * acquires new data, and ensures that acquisition criteria are met  
    * before the acquisition is stopped. Note that the display is  
    * automatically turned off when you use this form of the :DIGitize  
    * command and must be turned on to view the captured data on screen.  
    */  
  
    WriteIO(":DIGitize CHANNEL1");  
    WriteIO(":CHANNEL1:DISPlay ON");  
  
}
```

```
/* *****  
* Function name:  GetVoltageConversionFactors  
* Parameters:    double yInc which is the voltage difference represented by  
*                adjacent waveform data digital codes.  
*                double yOrg which is the voltage value of digital code 0.  
* Return value: none  
* Description:   This routine reads the conversion factors used to convert  
*                waveform data to volts.  
* *****/  
  
void GetVoltageConversionFactors( double *yInc, double *yOrg )  
{  
  
    /* Read values which are used to convert data to voltage values */  
  
    WriteIO(":WAVEform:YINcrement?");  
    ReadDouble( yInc );  
  
    WriteIO(":WAVEform:YORigin?");  
    ReadDouble( yOrg );  
  
}
```

## Waveform Commands

### DATA? Example for Analog Channels

```
/* *****  
* Function name: SetupDataTransfer  
* Parameters: none  
* Return value: Number of bytes of waveform data to read.  
* Description: This routine sets up the waveform data transfer and gets  
* the number of bytes to be read.  
* *****/  
  
unsigned long SetupDataTransfer( void )  
{  
    unsigned long BytesToRead;  
    char header_str[9];  
    char cData;  
    unsigned long BytesRead;  
  
    WriteIO( ":WAVEform:DATA?" ); /* Request waveform data */  
  
    /* Find the # character */  
  
    do {  
        ReadByte( &cData, 1L );  
    } while ( cData != '#' );  
  
    /* Read the next byte which tells how many bytes to read for the number  
    * of waveform data bytes to transfer value.  
    */  
  
    ReadByte( &cData, 1L );  
    BytesToRead = cData - '0'; /* Convert to a number */  
  
    /* Reads the number of data bytes that will be transfered */  
  
    BytesRead = ReadByte( header_str, BytesToRead );  
    header_str[BytesRead] = '\0';  
    BytesToRead = atoi( header_str );  
  
    return BytesToRead;  
}
```

```
/* *****  
* Function name:  GetTimeConversionFactors  
* Parameters:    double xInc which is the time between consecutive  
*               sample points.  
*               double xOrg which is the time value of the first data point.  
* Return value: none  
* Description:   This routine transfers the waveform conversion  
*               factors for the time values.  
* *****/  
  
void GetTimeConversionFactors( double *xInc, double *xOrg )  
{  
  
    /* Read values which are used to create time values */  
  
    WriteIO(":WAVEform:XINCrement?");  
    ReadDouble( xInc );  
  
    WriteIO(":WAVEform:XORigin?");  
    ReadDouble( xOrg );  
  
}
```

## Waveform Commands

### DATA? Example for Analog Channels

```
/******  
* Function name: CreateTimeData  
* Parameters: double xInc which is the time between consecutive  
*             sample points  
*             double xOrg which is the time value of the first data point  
*             unsigned long AcquiredLength which is the number of  
*             data points  
*             double TimeValues is a pointer to the array where time  
*             values are stored  
* Return value: none  
* Description: This routine converts the data to time values using  
*             the values that describe the waveform. These values are  
*             stored in global variables.  
*****/  
  
void CreateTimeData( double xInc, double xOrg,  
                    unsigned long AcquiredLength, double *TimeValues )  
{  
    unsigned long i;  
  
    for (i = 0; i < AcquiredLength; i++) {  
        TimeValues[i] =(i * xInc) + xOrg; /* calculate time values */  
    }  
}
```



```
/******  
* Function name: ConvertWordDataToVolts  
* Parameters: short *wordData which is a pointer to the array  
*             of read word values  
*             double *wordVolts which is a pointer to the array of  
*             calculated voltages  
*             unsigned long AcquiredLength which is the number of data  
*             bytes read  
*             double yInc which is the voltage difference represented  
*             by adjacent waveform data digital codes.  
*             double yOrg which is the voltage value of digital code 0.  
* Return value: none  
* Description: This routine converts the word format waveform data to  
*             voltage values using values that describe the waveform.  
*             These values are stored in global arrays for use by  
*             other routines.  
*****/  
  
void ConvertWordDataToVolts( short *wordData, double *wordVolts,  
                             unsigned long AcquiredLength,  
                             double yInc, double yOrg )  
{  
    unsigned long i;  
  
    for (i = 0; i < AcquiredLength/2; i++) {  
        /* calculate voltage values */  
        wordVolts[i] = (wordData[i] * yInc) + yOrg;  
    }  
}
```

## Waveform Commands

### DATA? Example for Analog Channels

```
/******  
* Function name: ConvertByteDataToVolts  
* Parameters: short *byteData which is a pointer to the array of  
*             read byte values  
*             double *byteVolts which is a pointer to the array of  
*             calculated voltages  
*             unsigned long AcquiredLength which is the number of data  
*             bytes read  
*             double yInc which is the voltage difference represented  
*             by adjacent waveform data digital codes.  
*             double yOrg which is the voltage value of digital code 0.  
* Return value: none  
* Description: This routine converts the byte format waveform data to  
*             voltage values using the values that describe the  
*             waveform. These values are stored in global variables.  
******/
```

```
void ConvertByteDataToVolts( char *byteData, double *byteVolts,  
                             unsigned long AcquiredLength,  
                             double yInc, double yOrg )  
{  
    unsigned long i;  
  
    for (i = 0; i < AcquiredLength; i++) {  
        /* calculate voltage values */  
        byteVolts[i] = (byteData[i] * yInc) + yOrg;  
    }  
}
```

```
/******  
* Function name: WriteCsvToFile  
* Parameters: double *TimeValues which is a pointer to an array of  
*             calculated time values  
*             double *wordVolts which is a pointer to an array of  
*             calculated word format voltage values  
*             double *byteVolts which is a pointer to an array of  
*             calculated byte format voltage values  
*             unsigned long AcquiredLength which is the number of data  
*             points read  
* Return value: none  
* Description: This routine stores the time and voltage information about  
*             the waveform as time, word format voltage, and byte format  
*             voltage separated by commas to a file.  
*****/  
  
void WriteCsvToFile( double *TimeValues, double *wordVolts,  
                    double *byteVolts, unsigned long AcquiredLength )  
{  
    FILE *fp;  
    unsigned long i;  
  
    fp = fopen( "pairs.csv", "wb" ); /* Open file in binary mode - clear file  
                                     if it already exists */  
  
    if (fp != NULL) {  
        fprintf( fp, "Time,Word Volts,Byte Volts\n");  
  
        for ( i = 0; i < AcquiredLength; i++ ) {  
            fprintf( fp, "%e,%f,%f\n", TimeValues[i], wordVolts[i], byteVolts[i] );  
        }  
  
        fclose( fp );  
    }  
    else {  
        printf("Unable to open file 'pairs.csv'\n");  
    }  
}
```

---

## DATA? Example for Digital Channels

The following C example shows how to transfer both BYTE and WORD formatted waveform data for digital channels to a computer. There is a file on the Infiniium Oscilloscope Example Programs disk called readdig.c in the c directory that contains this program.

```
/* readdig. c */

/* Reading Byte and Word format Example. This program demonstrates the order of
  commands suggested for operation of the Infiniium oscilloscope by LAN or GPIB.
  This program initializes the scope, acquires data, transfers data in both the
  BYTE and WORD formats, converts the data into hex, octal, binary and time values,
  and stores the data in a file as comma-separated values. This format is useful
  for spreadsheet applications.
*/

#include <stdio.h>          /* location of: printf() */
#include <stdlib.h>        /* location of: atof(), atoi() */
#include <string.h>        /* location of: strlen() */
#include "sicl.h"

/* Prototypes */
int InitIO( void );
void WriteIO( char *buffer );
unsigned long ReadByte( char *buffer, unsigned long BytesToRead);
unsigned long ReadWord( short *buffer, unsigned long BytesToRead);
void ReadDouble( double *buffer );
void CloseIO( void );
void AcquireData( void );
void GetTimeConversionFactors( void );
void CreateTimeData( unsigned long AcquiredLength,
                    double *TimeValues );
void WriteCsvToFile( double *TimeValues, unsigned short *wordData,
                   unsigned char *byteData, unsigned long AcquiredLength);
unsigned long SetupDataTransfer( double lTime, double rTime );
int Round( double number );

/* Defines */
#define MAX_LENGTH 8192000

#define LAN

#ifdef LAN
    #define INTERFACE "lan[130.29.71.202]:hpib7,7"
#else
    #define INTERFACE "hpib7"
```

```
#endif

#define DEVICE_ADDR "hpiB7,7"
#define TRUE 1
#define FALSE 0
#define IO_TIMEOUT 20000

/* Globals */
INST bus;
INST scope;
double TimeValues[MAX_LENGTH];          /* Time value of data */
unsigned short wordData[MAX_LENGTH/2]; /* Buffer for reading word format data */
unsigned char byteData[MAX_LENGTH];     /* Buffer for reading byte format data */
double xOrg, xInc;                       /* Values necessary to create time data */

int Start;

void main( void )
{
    char Term;
    unsigned long BytesToRead;

    if ( !InitIO() ) {
        exit( 1 );
    }

    AcquireData();

    WriteIO( ":SYStem:HEADer OFF" );
    WriteIO( ":SYStem:LONGform OFF" );
    WriteIO( ":WAVEform:BYTEorder LSBFirst" ); /* Setup byte order */
    WriteIO( ":WAVEform:FORMat WORD" );       /* Setup transfer format */
    WriteIO( ":WAVEform:SOURce POD1" );       /* Waveform data source pod 1 */

    GetTimeConversionFactors();

    BytesToRead = SetupDataTransfer( -25E-6, 25E-6);
    ReadWord( wordData, BytesToRead );
    ReadByte( &Term, 1L );                   /* Read termination character */

    WriteIO(":WAVEform:FORMat BYTE");         /* Setup transfer format */

    BytesToRead = SetupDataTransfer( -25E-6, 25E-6);
    ReadByte( byteData, BytesToRead );
    ReadByte( &Term, 1L );                   /* Read termination character */

    CreateTimeData( BytesToRead, TimeValues );
```

## Waveform Commands

### DATA? Example for Digital Channels

```
WriteCsvToFile( TimeValues, wordData, byteData, BytesToRead );

CloseIO( );

}

/*****
*   Function name: InitIO
*   Parameters:    none
*   Return value: none
*   Description:  This routine initializes the SICL environment.  It sets up
*                 errorhandling, opens both an interface and device session,
*                 sets timeout values, clears the GPIB interface card, and
*                 clears the oscilloscope's GPIB card by performing a
*                 Selected Device Clear.
*****/

int InitIO( void )
{
    ionerror( I_ERROR_EXIT ); /* set-up interface error handling */

    bus = iopen( INTERFACE ); /* open interface session */
    if ( bus == 0 ) {
        printf( "Bus session invalid\n" );
        return FALSE;
    }

    itimeout( bus, IO_TIMEOUT ); /* set bus timeout */
    iclear( bus ); /* clear the interface */

#ifdef LAN
    scope = bus;
#else
    scope = iopen( DEVICE_ADDR ); /* open the scope device session */
    if ( scope == 0 ) {
        printf( "Scope session invalid\n" );
        iclose( bus ); /* close interface session */
        _siclcleanup(); /* required for 16-bit applications */
        return FALSE;
    }

    itimeout( scope, IO_TIMEOUT ); /* set device timeout */
    iclear( scope ); /* perform Selected Device Clear on oscilloscope */
#endif

    return TRUE;
}
```

```
/*  
* Function name: WriteIO  
* Parameters:   char *buffer which is a pointer to the character string to  
*              be output  
* Return value: none  
* Description: This routine outputs strings to the oscilloscope device  
*              session using SICL commands.  
*/
```

```
void WriteIO( char *buffer )  
{  
    unsigned long actualcnt;  
    unsigned long BytesToWrite;  
    int send_end = 1;  
  
    BytesToWrite = strlen( buffer );  
  
    iwrite( scope, buffer, BytesToWrite, send_end, &actualcnt );  
}
```

```
/*  
* Function name: ReadByte  
* Parameters:   char *buffer which is a pointer to the array to store  
*              the read bytes unsigned long BytesToRead which indicates  
*              the maximum number of bytes to read  
* Return value: integer which indicates the actual number of bytes read  
* Description: This routine inputs strings from the scope device session  
*              using SICL commands.  
*/
```

```
unsigned long ReadByte( char *buffer, unsigned long BytesToRead )  
{  
    unsigned long BytesRead=0L;  
    int reason;  
  
    BytesRead = BytesToRead;  
    iread( scope, buffer, BytesToRead, &reason, &BytesRead );  
  
    return BytesRead;  
}
```

## Waveform Commands

### DATA? Example for Digital Channels

```
/******  
*   Function name: ReadWord  
*   Parameters:    short *buffer which is a pointer to the word array to store  
*                 the bytes read unsigned long BytesToRead which indicates  
*                 the maximum number of bytes to read  
*   Return value:  integer which indicates the actual number of bytes read  
*   Description:   This routine inputs an array of short values from the  
*                 oscilloscope device session using SICL commands.  
*****/  
  
unsigned long ReadWord( short *buffer, unsigned long BytesToRead )  
{  
    long BytesRead=0L;  
    int reason;  
  
    BytesRead = BytesToRead;  
    ired( scope, (char *) buffer, BytesToRead, &reason, &BytesRead );  
  
    return BytesRead;  
}  
  
/******  
*   Function name: ReadDouble  
*   Parameters:    double *buffer which is a pointer to the float value to read  
*   Return value:  none  
*   Description:   This routine inputs a float value from the oscilloscope  
*                 device session using SICL commands.  
*****/  
  
void ReadDouble( double *buffer )  
{  
    int error;  
    error = iscanf( scope, "%lf", buffer );  
}
```



```
/* *****  
* Function name: close_IO  
* Parameters: none  
* Return value: none  
* Description: This routine closes device and interface sessions for  
* the SICL environment, and calls the routine _siclcleanup  
* which de-allocates resources used by the SICL environment.  
* *****/  
  
void CloseIO( void )  
{  
  
    iclose( scope ); /* close device session */  
    iclose( bus ); /* close interface session */  
  
    _siclcleanup(); /* required for 16-bit applications */  
  
}  
  
/* *****  
* Function name: AcquireData  
* Parameters: none  
* Return value: none  
* Description: This routine acquires data using the current  
* oscilloscope settings.  
* *****/  
  
void AcquireData( void )  
{  
    /*  
    * The root level :DIGitize command is recommended for acquiring new  
    * waveform data. It initialize's the oscilloscope's data buffers,  
    * acquires new data, and ensures that acquisition criteria are met  
    * before the acquisition is stopped. Note that the display is  
    * automatically turned off when you use this form of the  
    * :DIGitize command and must be turned on to view the captured data  
    * on screen.  
    */  
  
    WriteIO(":DIGitize POD1");  
    WriteIO(":POD1:DISPlay ON");  
  
}
```

## Waveform Commands

### DATA? Example for Digital Channels

```
/******  
*   Function name: SetupDataTransfer  
*   Parameters:    double lTime which is the time value of the first  
*                 waveform memory location of data.  
*                 double rTime which is the time value of the last  
*                 waveform memory location of data.  
*   Return value:  Number of bytes of waveform data to read.  
*   Description:  This routine sets up the waveform data transfer and gets  
*                 the number of bytes to be read. The beginning of data  
*                 starts with the # character followed by a number which  
*                 tells how many bytes to read for the integer which is the  
*                 total number of data bytes that are being transferred.  
*                 Following this is the waveform data. For example, if 1024  
*                 bytes of waveform data is being transferred then this  
*                 information will be as follows:  
*                 #41024 <1024 data bytes>  
*****  
*****/
```

```
unsigned long SetupDataTransfer( double lTime, double rTime )  
{  
    unsigned long BytesToRead;  
    char header_str[8];  
    char cData;  
    unsigned long BytesRead;  
    int Size;  
    char Range[100];  
  
    /* Find the index value of the first data memory location */  
  
    Start = Round((lTime - xOrg)/xInc);  
    if (Start < 1) {  
        Start = 1;  
    }  
  
    /* Find the number of data bytes that you want */  
  
    Size = Round((rTime - lTime)/xInc);  
  
    sprintf( Range, ":WAVEform:DATA? %d,%d", Start, Size);  
    WriteIO( Range );          /* Request waveform data */  
  
    /* Find the # character */  
  
    do {  
        ReadByte( &cData, 1L );  
    } while ( cData != '#' );
```

```
/* Read the next byte which tells how many bytes to read for the number
* of waveform data bytes to transfer value.
*/

ReadByte( &cData, 1L );
BytesToRead = cData - '0'; /* Convert to a number */

/* Reads the number of data bytes that will be transfered */

BytesRead = ReadByte( header_str, BytesToRead );
header_str[BytesRead] = '\0';
BytesToRead = atoi( header_str );

return BytesToRead;

}

/*****
* Function name: GetTimeConversionFactors
* Parameters: none
* Return value: none
* Description: This routine transfers the waveform conversion
* factors for the time values.
*****/

Void GetTimeConversionFactors( void )
{

/* Read values which are used to create time values */

WriteIO(":WAVEform:XINCrement?");
ReadDouble( &xInc );

WriteIO(":WAVEform:XORigin?");
ReadDouble( &xOrg );

}
```

## Waveform Commands

### DATA? Example for Digital Channels

```
/*
*****
*   Function name: CreateTimeData
*   Parameters:   unsigned long AcquiredLength which is the number of data
*                 points
*                 double TimeValues is a pointer to the array where time
*                 values are stored
*   Return value: none
*   Description: This routine converts the data to time values using
*                 the values that describe the waveform.  These values are stored
*                 in global variables.
*****
*/

void CreateTimeData( unsigned long AcquiredLength, double *TimeValues )
{
    unsigned long i;

    for (i = 0; i < AcquiredLength; i++) {
        TimeValues[i] = ((Start + i) * xInc) + xOrg;    /* calculate time values */
    }
}

```

```

/*****
*   Function name: WriteCsvToFile
*   Parameters:   double *TimeValues which is a pointer to an array of
*                calculated time values
*                unsigned short *wordData which is a pointer to an array of
*                word format digital values
*                unsigned char *byteData which is a pointer to an array of
*                byte format digital values
*                unsigned long AcquiredLength which is the number of data
*                points read
*   Return value: none
*   Description:  This routine stores the time and digital information about
*                the waveform as time, word format, and byte format
*                separated by commas to a file.
*****/

void WriteCsvToFile( double *TimeValues, unsigned short *wordData,
                   unsigned char *byteData, unsigned long AcquiredLength )
{
    FILE *fp;
    char Binary[9];
    unsigned long i;
    int j;
    int k;

    fp = fopen( "digital.csv", "wb" ); /* Open file in binary mode - clear file
                                       if it already exists */

    if (fp != NULL) {

        fprintf( fp, "Time,Decimal Word Data,Hex Word Data,Hex Byte Data,Binary Byte
Data\n" );
        Binary[8] = '\0';

        for ( i = 0; i < AcquiredLength; i++ ) {

            // Create the binary formatted byte data
            for ( j = 7, k = 0; j >= 0; j--, k++ ) {
                Binary[k] = ((byteData[i] & ( 1 << j )) >> j) + '0';
            }

            fprintf( fp, "%e,%d,%04X,%02X,%s\n", TimeValues[i], wordData[i], wordData[i],
                   byteData[i], Binary );

        }

        fclose( fp );
    }
    else {

```

## Waveform Commands

### DATA? Example for Digital Channels

```
        printf("Unable to open file 'digital.csv'\n");
    }
}

/*****
*   Function name: Round
*   Parameters:    double number which is a floating point number
*                  to be converted.
*   Return value:  The rounded integer value for the number parameter.
*   Description:   This routine takes a floating point number and creates an
*                  integer.
*****/

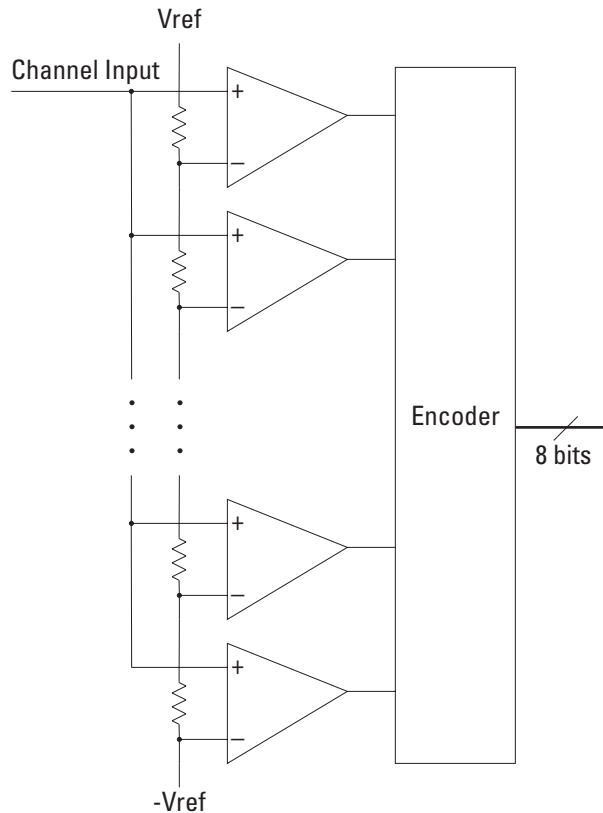
int Round( double number )
{
    if (number < 0.0f ) {
        return ( (int) (number - 0.5f) );
    }
    else {
        return ( (int) (number + 0.5f) );
    }
}
```

### Understanding WORD and BYTE Formats

Before you can understand how the WORD and BYTE downloads work, it is necessary to understand how Infiniium creates waveform data.

**Analog-to-digital Conversion Basics** The input channel of every digital sampling oscilloscope contains an analog-to-digital converter (ADC) as shown in Figure 31-1. The 8-bit ADC in Infiniium consists of 256 voltage comparators. Each comparator has two inputs. One input is connected to a reference dc voltage level and the other input is connected to the channel input. When the voltage of the waveform on the channel input is greater than the dc level, then the comparator output is a 1 otherwise the output is a 0. Each of the comparators has a different reference dc voltage. The output of the comparators is converted into an 8-bit integer by the encoder.

Figure 31-1



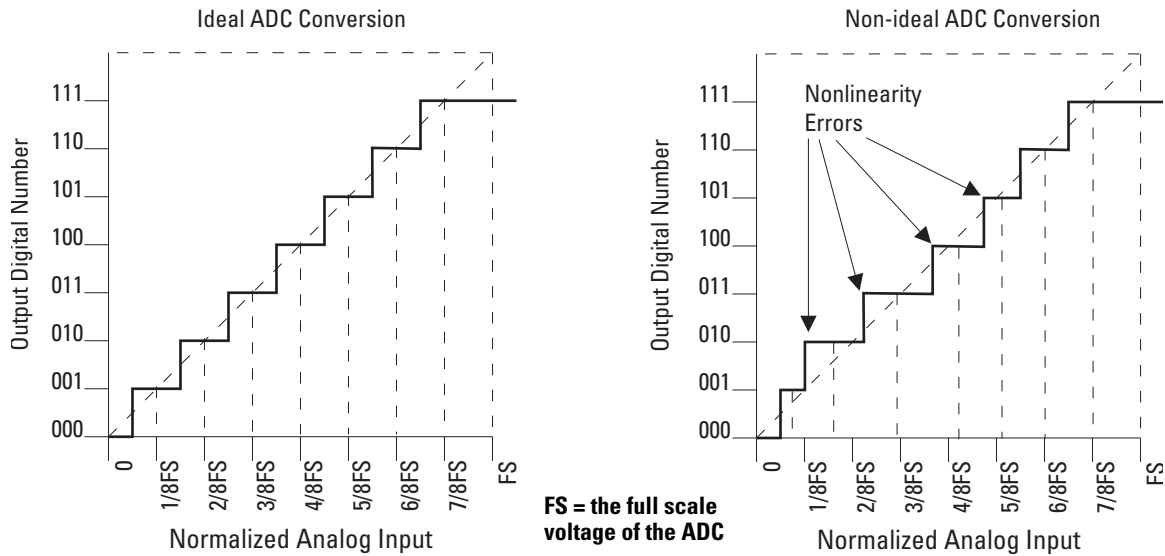
Block Diagram of an ADC

## Waveform Commands

### DATA? Example for Digital Channels

All ADCs have non-linearity errors which, if not corrected, can give less accurate vertical measurement results. For example, the non-linearity error for a 3-bit ADC is shown in the following figure.

**Figure 31-2**



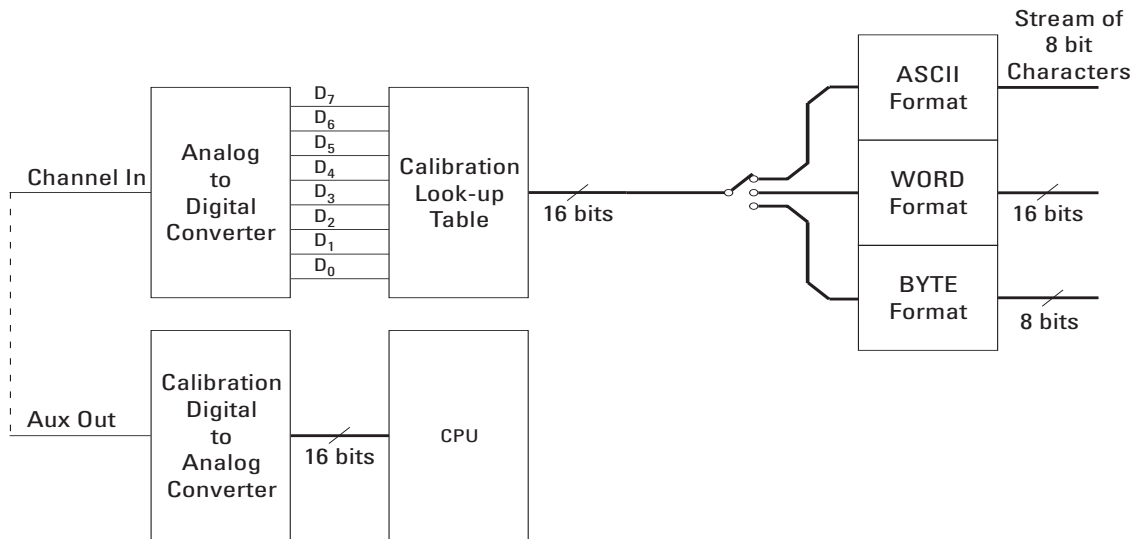
#### ADC Non-linearity Errors for a 3-bit ADC

The graph on the left shows an ADC which has no non-linearity errors. All of the voltage levels are evenly spaced producing output codes that represent evenly spaced voltages. In the graph on the right, the voltages are not evenly spaced with some being wider and some being narrower than the others.



When you calibrate your Infiniium, the input to each channel, in turn, is connected to the Aux Out connector. The Aux Out is connected to a 16-bit digital-to-analog convertor (DAC) whose input is controlled by Infiniium's CPU. There are 65,536 dc voltage levels that are produced by the 16-bit DAC at the Aux Out. At each dc voltage value, the output of the ADC is checked to see if a new digital code is produced. When this happens, a 16-bit correction factor is calculated for that digital code and this correction factor is stored in a Calibration Look-up Table.

Figure 31-3



**Data Flow in Infiniium**

This process continues until all 256 digital codes are calibrated. The calibration process removes most of the non-linearity error of the ADC which yields more accurate vertical voltage values.

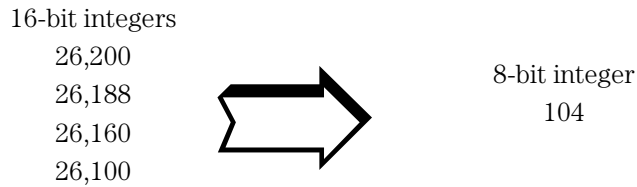
During normal operation of the oscilloscope, the output of the ADC is used as an address to the Calibration Look-up Table which produces 16-bit data for the oscilloscope to process and display. The output of the ADC is a signed 8-bit integer and the output of the Calibration Look-up Table is a signed 16-bit integer. If the amplitude of the input waveform is larger than the maximum dc reference level of the ADC, the ADC will output the maximum 8-bit value that it can (255). This condition is called ADC clipping. When the 255 digital code is applied to the Calibration Look-up Table, a 16-bit value, such as 26,188 could be produced which represents an ADC clipped value. This number will vary from one oscilloscope to the next.

## Waveform Commands

### DATA? Example for Digital Channels

**WORD and BYTE Data Formats** When downloading the waveform data in WORD format, the 16-bit signed integer value for each data point is sent in two consecutive 8-bit bytes over GPIB. Whether the least significant byte (LSB) or the most significant byte (MSB) is sent first depends on the byte order determined by the BYTeorder command.

Before downloading the waveform data in BYTE format, each 16-bit signed integer is converted into an 8-bit signed integer. Because there are more possible 16-bit integers than there are 8-bit integers, a range of 16-bit integers is converted into single 8-bit numbers. For example, the following 16-bit numbers are all converted into one 8-bit number.



This conversion is what makes the BYTE download format less accurate than the WORD format.

---

## FORMat

**Command** :WAVEform:FORMat {ASCii | BINary | BYTE | WORD}

The :WAVEform:FORMat command sets the data transmission mode for waveform data output. This command controls how the data is formatted when it is sent from the oscilloscope, and pertains to all waveforms. The default format is ASCii.

---

### Selecting a Format

Type	Advantages	Disadvantages
ASCii	Data is returned as voltage values and does not need to be converted and is as accurate as WORD format.	Very slow data download rate.
BYTE	Data download rate is twice as fast as the WORD format.	Data is less accurate than the WORD format for analog channels. Cannot be used when PODALL is the selected source.
WORD	Data is the most accurate for analog channels.	Data download rate takes twice as long as the BYTE format
BINary	This format can be used for analog channels, digital channels (MSO oscilloscopes only), and for HISTogram source.	Data download rate takes twice as long as the BYTE format for analog channels.

ASCii ASCii-formatted data consists of waveform data values converted to the currently selected units, such as volts, and are output as a string of ASCII characters with each value separated from the next value by a comma. The values are formatted in floating point engineering notation. For example:

8.0836E+2,8.1090E+2,...,-3.1245E-3

The ASCii format does not send out the header information indicating the number of bytes being downloaded.

In ASCii format:

- For analog channels, the value “99.999E+36” represents a hole value. There are no hole values in the data for digital channels. A hole can occur when you are using the equivalent time sampling mode when during a single acquisition not all of the acquisition memory locations contain sampled waveform data. It can take several acquisitions in the equivalent time sampling mode to fill all of the memory locations.

## Waveform Commands

### FORMat

**BYTE** BYTE-formatted data is formatted as signed 8-bit integers. If you use BASIC, you need to create a function to convert these signed bits to signed integers. In BYTE format:

- The value 125 represents a hole value. A hole can occur when you are using the equivalent time sampling mode when during a single acquisition not all of the acquisition memory locations contain sampled waveform data. It can take several acquisitions in the equivalent time sampling mode to fill all of the memory locations.

The waveform data values are converted from 16-bit integers to 8-bit integers before being downloaded to the computer. For more information see “Understanding WORD and BYTE Formats” on page 31-37.

**If PODALL is the source, the byte format will produce an error.**

**WORD** WORD-formatted data is transferred as signed 16-bit integers in two bytes. If :WAVEform:BYTeorder is set to MSBFirst, the most significant byte of each word is sent first. If the BYTeorder is LSBFirst, the least significant byte of each word is sent first. In WORD format:

- For analog channels, the value 31232 represents a hole level. There are no hole values in the data for digital channels. A hole can occur when you are using the equivalent time sampling mode and during a single acquisition not all of the acquisition memory locations contain sampled waveform data. It can take several acquisitions in the equivalent time sampling mode to fill all of the memory locations.

For more information see “Understanding WORD and BYTE Formats” on page 31-37.

**BINary** BINary-formatted data can be used with any SOURce. When a source is any valid source except for histogram, the data is return in WORD format.

For digital channels, if the source is pod1 or pod2 the data is in BYTE format. If the source is podall the dat is in WORD format.

When the source is set to HISTogram, the data is transferred as signed 32-bit integers in four bytes. The are no hole values in the histogram data.

If :WAVEform:BYTeorder is set to MSBFirst, the most significant byte of each long word is sent first. If the BYTeorder is LSBFirst, the least significant byte of each long word is sent first.

---

#### Example

This example selects the WORD format for waveform data transmission.

```
10 OUTPUT 707; ":WAVEFORM:FORMAT WORD"  
20 END
```

**Query**                   :WAVEform:FORMat?

The :WAVEform:FORMat? query returns the current output format for transferring waveform data.

**Returned Format**       [:WAVEform:FORMat] {ASCIi | BINary | BYTE | WORD}<NL>

---

**Example**                This example places the current output format for data transmission in the string variable, Mode\$, then prints the contents of the variable to the computer's screen.

```
10 DIM Mode$[50]!Dimension variable
20 OUTPUT 707;":WAVEFORM:FORMAT?"
30 ENTER 707;Mode$
40 PRINT Mode$
50 END
```

---

---

## POINTS?

**Query**                   :WAVEform:POINTs?

The :WAVEform:POINTs? query returns the points value in the current waveform preamble. The points value is the number of time buckets contained in the waveform selected with the :WAVEform:SOURce command.

**Returned Format**     [:WAVEform:POINTs] <points><NL>  
<points> An integer. See the :ACQuire:POINTs command for a table of possible values.

---

**Example**               This example places the current acquisition length in the numeric variable, Length, then prints the contents of the variable to the computer's screen.

```
10 OUTPUT 707;" :SYSTEM:HEADER OFF"!Response headers off
20 OUTPUT 707;" :WAVEFORM:POINTS?"
30 ENTER 707;Length
40 PRINT Length
50 END
```

---

### **Turn Headers Off**

**When you are receiving numeric data into numeric variables, you should turn the headers off. Otherwise, the headers may cause misinterpretation of returned data.**

**See Also**             The :ACQuire:POINTs command in the ACQuire Commands chapter.

---

## PREamble

**Query** :WAVEform:PREamble?

The :WAVEform:PREamble? query outputs a waveform preamble to the computer from the waveform source, which can be a waveform memory or channel buffer.

**Returned Format** [:WAVEform:PREamble] <preamble\_data><NL>

The preamble can be used to translate raw data into time and voltage values. The following lists the elements in the preamble.

```
<preamble_<format>, <type>, <points>, <count> ,
data> <X increment>, <X origin>, < X reference>,
<Y increment>, <Y origin>, <Y reference>,
<coupling>,
<X display range>, <X display origin>,
<Y display range>, <Y display origin>,
<date>, <time>,
<frame model #>,
<acquisition mode>, <completion>,
<X units>, <Y units>,
<max bandwidth limit>, <min bandwidth limit>
```

<format> 0 for ASCII format.  
1 for BYTE format.  
2 for WORD format.  
3 for LONG format.

<type> 1 RAW type.  
2 AVERage type.  
3 not used.  
4 not used.  
5 not used.  
6 INTERPOLATE type.  
7 not used.  
8 not used.  
9 DIGital.  
10 PDETECT.

<points> The number of data points or data pairs contained in the waveform data.  
(See :ACQUIRE:POINTS.)

## Waveform Commands

### PREamble

- <count or segments> For the AVERAGE waveform type, the count value is the fewest number of hits for all time buckets. This value may be less than or equal to the value requested with the :ACQUIRE:AVERAGE:COUNT command. For NORMAL, RAW, INTERPOLATE, and VERSUS waveform types, this value is 0 or 1. The count value is ignored when it is sent to the oscilloscope in the preamble. (See :WAVEFORM:TYPE and :ACQUIRE:COUNT.)
- Segments is used instead of Count when the data is acquired using the Segmented acquisition mode. This number is the total number of segments that were acquired.
- <X increment> The X increment is the duration between data points on the X axis. For time domain waveforms, this is the time between points. If the value is zero then no data has been acquired. (See the :WAVEFORM:XINCREMENT? query.)
- <X origin> The X origin is the X-axis value of the first data point in the data record. For time domain waveforms, it is the time of the first point. This value is treated as a double precision 64-bit floating point number. If the value is zero then no data has been acquired. (See the :WAVEFORM:XORIGIN? query.)
- <X reference> The X reference is the data point associated with the X origin. It is at this data point that the X origin is defined. In this oscilloscope, the value is always zero. (See the :WAVEFORM:XREFERENCE? query.)
- <Y increment> The Y increment is the duration between Y-axis levels. For voltage waveforms, it is the voltage corresponding to one level. If the value is zero then no data has been acquired. (See the :WAVEFORM:YINCREMENT? query.)
- <Y origin> The Y origin is the Y-axis value at level zero. For voltage waveforms, it is the voltage at level zero. If the value is zero then no data has been acquired. (See the :WAVEFORM:YORIGIN? query.)
- <Y reference> The Y reference is the level associated with the Y origin. It is at this level that the Y origin is defined. In this oscilloscope, this value is always zero. (See the :WAVEFORM:YREFERENCE? query.)
- <coupling> 0 for AC coupling.  
1 for DC coupling.  
2 for DCFIFTY coupling.  
3 for LFREJECT coupling.
- <X display range> The X display range is the X-axis duration of the waveform that is displayed. For time domain waveforms, it is the duration of time across the display. If the value is zero then no data has been acquired. (See the :WAVEFORM:XRANGE? query.)



- <X display origin> The X display origin is the X-axis value at the left edge of the display. For time domain waveforms, it is the time at the start of the display. This value is treated as a double precision 64-bit floating point number. If the value is zero then no data has been acquired.  
(See the :WAVEform:XDISplay? query.)
- <Y display range> The Y display range is the Y-axis duration of the waveform which is displayed. For voltage waveforms, it is the amount of voltage across the display. If the value is zero then no data has been acquired.  
(See the :WAVEform:YRANge? query.)
- <Y display origin> The Y-display origin is the Y-axis value at the center of the display. For voltage waveforms, it is the voltage at the center of the display. If the value is zero then no data has been acquired.  
(See the :WAVEform:YDISplay? query.)
- <date> A string containing the date in the format DD MMM YYYY, where DD is the day, 1 to 31; MMM is the month; and YYYY is the year.
- <time> A string containing the time in the format HH:MM:SS:TT, where HH is the hour, 0 to 23, MM is the minutes, 0 to 59, SS is the seconds, 0 to 59, and TT is the hundreds of seconds, 0 to 99.
- <frame\_model\_#> A string containing the model number and serial number of the oscilloscope in the format of MODEL#:SERIAL#.
- <acquisition\_mode> 0 for RTIME mode.  
1 for ETIME mode.  
2 not used.  
3 for PDETECT.
- <completion> The completion value is the percent of time buckets that are complete. The completion value is ignored when it is sent to the oscilloscope in the preamble.  
(See the :WAVEform:COMPLete? query.)
- <x\_units> 0 for UNKNOWN units.  
<y\_units> 1 for VOLT units.  
2 for SECOND units.  
3 for CONSTANT units.  
4 for AMP units.  
5 for DECIBEL units.
- <max bandwidth limit> The band pass consists of two values that are an estimation of the maximum and minimum bandwidth limits of the source waveform. The bandwidth limit is computed as a function of the selected coupling and filter mode.  
<min bandwidth limit> (See the :WAVEform:BANDpass? query.)

## Waveform Commands

### PREamble

See Table 31-1 for descriptions of all the waveform preamble elements.

#### HP BASIC Image Specifiers

**#** is an HP BASIC image specifier that suppresses the automatic output of the EOL sequence following the last output item.

**K** is an HP BASIC image specifier that outputs a number or string in standard form with no leading or trailing blanks.

---

#### Example

This example outputs the current waveform preamble for the selected source to the string variable, Preamble\$.

```
10 DIM Preamble$(250)!Dimension variable
20 OUTPUT 707;":SYSTEM:HEADER OFF"!Response headers off
30 OUTPUT 707;":WAVEFORM:PREAMBLE?"
40 ENTER 707 USING "-K";Preamble$
50 END
```

#### Placing the Block in a String

**-K** is an HP BASIC image specifier that places the block data in a string, including carriage returns and line feeds, until EOI is true, or when the dimensioned length of the string is reached.

**Table 31-1** Waveform Preamble Elements

Element	Description
Format	The format value describes the data transmission mode for waveform data output. This command controls how the data is formatted when it is sent from the oscilloscope. (See :WAVeform:FORMat.)
Type	This value describes how the waveform was acquired. (See also the :WAVeform:TYPE? query.)
Points	The number of data points or data pairs contained in the waveform data. (See :ACQuire:POINts.)
Count or Segments	For the AVERAGE waveform type, the count value is the minimum count or fewest number of hits for all time buckets. This value may be less than or equal to the value requested with the :ACQuire:AVERAge:COUNT command. For NORMAL, RAW, INTERPOLATE, and VERSUS waveform types, this value is 0 or 1. The count value is ignored when it is sent to the oscilloscope in the preamble. (See :WAVeform:TYPE and :ACQuire:COUNT.)  Segments is used instead of Count when the data is acquired using the Segmented memory acquisition mode. This number is the total number of segments that were acquired.
X Increment	The X increment is the duration between data points on the X axis. For time domain waveforms, this is the time between points. (See the :WAVeform:XINCrement? query.)
X Origin	The X origin is the X-axis value of the first data point in the data record. For time domain waveforms, it is the time of the first point. This value is treated as a double precision 64-bit floating point number. (See the :WAVeform:XORigin? query.)
X Reference	The X reference is the data point associated with the X origin. It is at this data point that the X origin is defined. In this oscilloscope, the value is always zero. (See the :WAVeform:XREFerence? query.)
Y Increment	The Y increment is the duration between Y-axis levels. For voltage waveforms, it is the voltage corresponding to one level. (See the :WAVeform:YINCrement? query.)
Y Origin	The Y origin is the Y-axis value at level zero. For voltage waveforms, it is the voltage at level zero. (See the :WAVeform:YORigin? query.)
Y Reference	The Y reference is the level associated with the Y origin. It is at this level that the Y origin is defined. In this oscilloscope, this value is always zero. (See the :WAVeform:YREFerence? query.)
Coupling	The input coupling of the waveform. The coupling value is ignored when sent to the oscilloscope in the preamble. (See the :WAVeform:COUPling? query.)
X Display Range	The X display range is the X-axis duration of the waveform that is displayed. For time domain waveforms, it is the duration of time across the display. (See the :WAVeform:XRANge? query.)

## Waveform Commands

### PREamble

Element	Description
X Display Origin	The X display origin is the X-axis value at the left edge of the display. For time domain waveforms, it is the time at the start of the display. This value is treated as a double precision 64-bit floating point number. (See the :WAVeform:XDISplay? query.)
Y Display Range	The Y display range is the Y-axis duration of the waveform which is displayed. For voltage waveforms, it is the amount of voltage across the display. (See the :WAVeform:YRANge? query.)
Y Display Origin	The Y-display origin is the Y-axis value at the center of the display. For voltage waveforms, it is the voltage at the center of the display. (See the :WAVeform:YDISplay? query.)
Date	The date that the waveform was acquired or created.
Time	The time that the waveform was acquired or created.
Frame Model #	The model number of the frame that acquired or created this waveform. The frame model number is ignored when it is sent to an oscilloscope in the preamble.
Acquisition Mode	The acquisition sampling mode of the waveform. (See :ACQuire:MODE.)
Complete	The complete value is the percent of time buckets that are complete. The complete value is ignored when it is sent to the oscilloscope in the preamble. (See the :WAVeform:COMPLete? query.)
X Units	The X-axis units of the waveform. (See the :WAVeform:XUNits? query.)
Y Units	The Y-axis units of the waveform. (See the :WAVeform:YUNits? query.)
Band Pass	The band pass consists of two values that are an estimation of the maximum and minimum bandwidth limits of the source waveform. The bandwidth limit is computed as a function of the selected coupling and filter mode. (See the :WAVeform:BANDpass? query.)
See Also	:WAVeform:DATA?

---

## SEGmented:COUNT?

**Query** :WAVEform:SEGmented:COUNT?

The :WAVEform:SEGmented:COUNT? query returns the index number of the last captured segment. A return value of zero indicates that the :ACquire:MODE is not set to SEGmented.

<index\_number> An integer number representing the index value of the last segment.

**Returned Format** [:WAVEform:SEGmented:COUNT] <index\_number><NL>

---

### Example

This example returns the number of the last segment that was captured in the parameter Index and prints it to the computer screen.

```
10 OUTPUT 707; ":WAVEFORM:SEGMENTED:COUNT?"
20 ENTER 707; Index
30 PRINT Index
40 END
```

---

## SEGmented:TTAG?

**Query** :WAVEform:SEGmented:TTAG?

The :WAVEform:SEGmented:TTAG? query returns the time difference between the first segment's trigger point and the trigger point of the currently displayed segment.

<delta\_time> A real number in exponential format representing the time value difference between the first segment's trigger point and the currently displayed segment.

**Returned Format** [:WAVEform:SEGmented:TTAG] <delta\_time><NL>

---

### Example

This example returns the time from the first segment's trigger point and the currently displayed segment's trigger point in the parameter dtime and prints it to the computer screen.

```
10 OUTPUT 707; ":WAVEFORM:SEGMENTED:TTAG?"
20 ENTER 707;dtime
30 PRINT dtime
40 END
```

---

## SOURCE

**Command**            :WAVEform:SOURCE {CHANnel<N> | FUNction<N> | HISTogram | POD1 | POD2 | PODALL | WMEMory<N>}

The :WAVEform:SOURCE command selects a channel, function, waveform memory, digital channels, or histogram as the waveform source.

<N> CHANnel<N> is:

    An integer, 1 - 2, for 2 channel Infiniium Oscilloscope.

    An integer, 1 - 4, for all other Infiniium Oscilloscope models.

FUNction<N> and WMEMory<N> are:

    Integers, 1 - 4, representing the selected function or waveform memory.

POD1 Bits 0 through 7 of the digital channels only available on the MSO Infiniium oscilloscopes.

POD2 Bits 8 through 15 of the digital channels only available on the MSO Infiniium oscilloscopes.

PODALL Bits 0 through 15 of the digital channels only available on the MSO Infiniium oscilloscopes.

---

### Example

This example selects channel 1 as the waveform source.

```
10 OUTPUT 707; ":WAVEFORM:SOURCE CHANNEL1"
20 END
```

---

## Waveform Commands

### SOURce

**Query**                   :WAVeform:SOURce?

The :WAVeform:SOURce? query returns the currently selected waveform source.

**Returned Format**       [:WAVeform:SOURce] {CHANnel<N> | FUNction<N> | HISTogram |  
POD1 | POD2 | PODALL | WMEMory<N>}<NL>

---

**Example**               This example places the current selection for the waveform source in the string variable, Selection\$, then prints the contents of the variable to the computer's screen.

```
10 DIM Selection$[50]!Dimension variable
20 OUTPUT 707;":WAVEFORM:SOURCE?"
30 ENTER 707;Selection$
40 PRINT Selection$
50 END
```

---



---

## TYPE?

**Query** :WAVEform:TYPE?

The :WAVEform:TYPE? query returns the current acquisition data type for the currently selected source. The type returned describes how the waveform was acquired. The waveform type may be RAW, INTerpolate, AVERAge, HHISTogram, PDETECT, DIGital, or VHISTogram.

**RAW** RAW data consists of one data point in each time bucket with no interpolation.

**INTerpolate** In the INTerpolate acquisition type, the last data point in each time bucket is stored, and additional data points between the acquired data points are filled by interpolation.

**AVERAge** AVERAge data consists of the average of the first  $n$  hits in a time bucket, where  $n$  is the value in the count portion of the preamble. Time buckets that have fewer than  $n$  hits return the average of the data they contain. If the :ACQUIRE:COMPLETE parameter is set to 100%, then each time bucket must contain the number of data hits specified with the :ACQUIRE:AVERAge:COUNT command.

**PDETECT** PDETECT data consists of two data points in each time bucket: the minimum values and the maximum values.

**DIGital** DIGital data consists of 8 digital data bits if POD1 or POD2 are the selected sources. If PODALL is the selected source then the data consists of 16 data bits for each time bucket.

**Returned Format** [:WAVEform:TYPE] {RAW | INTerpolate | AVERAge | PDETECT | DIGital}<NL>

## Waveform Commands

### TYPE?

---

**Example**

This example places the current acquisition data type in the string variable, Type\$, then prints the contents of the variable to the computer's screen.

```
10 DIM Type$[50]!Dimension variable
20 OUTPUT 707;":WAVEFORM:TYPE?"
30 ENTER 707;Type$
40 PRINT Type$
50 END
```

---

---

## VIEW

**Command** :WAVEform:VIEW {ALL | MAIN | WINDow}

The :WAVEform:VIEW command selects which view of the waveform is selected for data and preamble queries. You can set the command to ALL, MAIN, or WINDow. The view has different meanings depending upon the waveform source selected. The default setting for this command is ALL.

**Channels** For channels, you may select ALL, MAIN, or WINDow views. If you select ALL, all of the data in the waveform record is referenced. If you select MAIN, only the data in the main time base range is referenced. The first value corresponds to the first time bucket in the main time base range, and the last value corresponds to the last time bucket in the main time base range. If WINDow is selected, only data in the delayed view is referenced. The first value corresponds to the first time bucket in the delayed view and the last value corresponds to the last time bucket in the delayed view.

**Memories** For memories, if you specify ALL, all the data in the waveform record is referenced. WINDow and MAIN refer to the data contained in the memory time base range for the particular memory. The first value corresponds to the first time bucket in the memory time base range, and the last value corresponds to the last time bucket in the memory time base range.

**Functions** For functions, ALL, MAIN, and WINDow refer to all of the data in the waveform record.

Table 31-2 summarizes the parameters for this command for each source.

---

### Example

This example sets up the oscilloscope to view all of the data.

```
10 OUTPUT 707; ":WAVEFORM:VIEW ALL"  
20 END
```

## Waveform Commands

### VIEW

Table 31-2

---

#### Waveform View Parameters

---

Source/Parameter	ALL	MAIN	WINDow
CHANNEL	All data	Main time base	Delayed time base
MEMORY	All data	Memory time base	Memory time base
FUNCTION	All data	All data	All data

**Query** :WAVeform:VIEW?

The :WAVeform:VIEW? query returns the currently selected view.

**Returned Format** [:WAVeform:VIEW] {ALL | MAIN | WINDow}<NL>

---

**Example** This example returns the current view setting to the string variable, Setting\$, then prints the contents of the variable to the computer's screen.

```
10 DIM Setting$[50]!Dimension variable
20 OUTPUT 707;" :WAVEFORM:VIEW?"
30 ENTER 707;Setting$
40 PRINT Setting$
50 END
```

---

---

## XDISplay?

**Query** :WAVEform:XDISplay?

The :WAVEform:XDISplay? query returns the X-axis value at the left edge of the display. For time domain waveforms, it is the time at the start of the display. For VERSus type waveforms, it is the value at the center of the X-axis of the display. This value is treated as a double precision 64-bit floating point number.

**A "Waveform data is not valid" error occurs when there is no data available for a channel. When this occurs, a zero value is returned.**

**Returned Format** [:WAVEform:XDISplay] <value><NL>

<value> A real number representing the X-axis value at the left edge of the display.

---

### Example

This example returns the X-axis value at the left edge of the display to the numeric variable, Value, then prints the contents of the variable to the computer's screen.

```
10 OUTPUT 707;":SYSTEM:HEADER OFF"!Response headers off
20 OUTPUT 707;":WAVEFORM:XDISPLAY?"
30 ENTER 707;Value
40 PRINT Value
50 END
```

---

## XINCrement?

**Query**                   :WAVeform:XINCrement?

The :WAVeform:XINCrement? query returns the duration between consecutive data points for the currently specified waveform source. For time domain waveforms, this is the time difference between consecutive data points. For VERSus type waveforms, this is the duration between levels on the X axis. For voltage waveforms, this is the voltage corresponding to one level.

**A "Waveform data is not valid" error occurs when there is no data available for a channel. When this occurs, a zero value is returned.**

**Returned Format**       [:WAVeform:XINCrement] <value><NL>

<value> A real number representing the duration between data points on the X axis.

---

### Example

This example places the current X-increment value for the currently specified source in the numeric variable, Value, then prints the contents of the variable to the computer's screen.

```
10 OUTPUT 707;":SYSTEM:HEADER OFF"!Response headers off
20 OUTPUT 707;":WAVEFORM:XINCREMENT?"
30 ENTER 707;Value
40 PRINT Value
50 END
```

---

### See Also

You can obtain the X-increment value through the :WAVeform:PREamble? query.

---

## XORigin?

**Query** :WAVEform:XORigin?

The :WAVEform:XORigin? query returns the X-axis value of the first data point in the data record. For time domain waveforms, it is the time of the first point. For VERSus type waveforms, it is the X-axis value at level zero. For voltage waveforms, it is the voltage at level zero. The value returned by this query is treated as a double precision 64-bit floating point number.

**A "Waveform data is not valid" error occurs when there is no data available for a channel. When this occurs, a zero value is returned.**

**Returned Format** [:WAVEform:XORigin] <value><NL>

<value> A real number representing the X-axis value of the first data point in the data record.

---

### Example

This example places the current X-origin value for the currently specified source in the numeric variable, Value, then prints the contents of the variable to the computer's screen.

```
10 OUTPUT 707; ":SYSTEM:HEADER OFF"!Response headers off
20 OUTPUT 707; ":WAVEFORM:XORIGIN?"
30 ENTER 707;Value
40 PRINT Value
50 END
```

---

**See Also** You can obtain the X-origin value through the :WAVEform:PREamble? query.

---

## XRANge?

**Query**                   :WAVeform:XRANge?

The :WAVeform:XRANge? query returns the X-axis duration of the displayed waveform. For time domain waveforms, it is the duration of the time across the display. For VERSus type waveforms, it is the duration of the waveform that is displayed on the X axis.

**A "Waveform data is not valid" error occurs when there is no data available for a channel. When this occurs, a zero value is returned.**

**Returned Format**       [:WAVeform:XRANge] <value><NL>

<value> A real number representing the X-axis duration of the displayed waveform.

---

### Example

This example returns the X-axis duration of the displayed waveform to the numeric variable, Value, then prints the contents of the variable to the computer's screen.

```
10 OUTPUT 707;":SYSTEM:HEADER OFF"!Response headers off
20 OUTPUT 707;":WAVEFORM:XRANGE?"
30 ENTER 707;Value
40 PRINT Value
50 END
```

---



---

## XREference?

**Query**                   :WAVeform:XREference?

The :WAVeform:XREference? query returns the data point or level associated with the X-origin data value. It is at this data point or level that the X origin is defined. In this oscilloscope, the value is always zero.

**Returned Format**       [:WAVeform:XREference] 0<NL>

---

**Example**                This example places the current X-reference value for the currently specified source in the numeric variable, Value, then prints the contents of the variable to the computer's screen.

```
10 OUTPUT 707;":SYSTEM:HEADER OFF"!Response headers off
20 OUTPUT 707;":WAVEFORM:XREFERENCE?"
30 ENTER 707;Value
40 PRINT Value
50 END
```

---

**See Also**                You can obtain the X-reference value through the :WAVeform:PREamble? query.

---

## XUNits?

**Query**                   :WAVEform:XUNits?

The :WAVEform:XUNits? query returns the X-axis units of the currently selected waveform source. The currently selected source may be a channel, function, or waveform memory.

**Returned Format**       [:WAVEform:XUNits] {UNKNown | VOLT | SEConD | CONStant | AMP  
| DECibels | HERTz | WATT}<NL>

---

**Example**               This example returns the X-axis units of the currently selected waveform source to the string variable, Unit\$, then prints the contents of the variable to the computer's screen.

```
10 DIM Unit$[50]!Dimension variable
20 OUTPUT 707;":WAVEFORM:XUNITS?"
30 ENTER 707;Unit$
40 PRINT Unit$
50 END
```

---

---

## YDISplay?

**Query** :WAVEform:YDISplay?

The :WAVEform:YDISplay? query returns the Y-axis value at the center of the display. For voltage waveforms, it is the voltage at the center of the display.

**A "Waveform data is not valid" error occurs when there is no data available for a channel. When this occurs, a zero value is returned.**

**Returned Format** [:WAVEform:YDISplay] <value><NL>

<value> A real number representing the Y-axis value at the center of the display.

---

### Example

This example returns the current Y-display value to the numeric variable, Value, then prints the contents of the variable to the computer's screen.

```
10 OUTPUT 707; ":SYSTEM:HEADER OFF"!Response headers off
20 OUTPUT 707; " ":WAVEFORM:YDISPLAY?"
30 ENTER 707;Value
40 PRINT Value
50 END
```

---

## YINCrement?

**Query**                   :WAVEform:YINCrement?

The :WAVEform:YINCrement? query returns the y-increment voltage value for the currently specified source. This voltage value is the voltage difference between two adjacent waveform data digital codes. Adjacent digital codes are codes that differ by one least significant bit. For example, the digital codes 24680 and 24681 vary by one least significant bit.

- For BYTE and WORD data, and voltage waveforms, it is the voltage corresponding to one least significant bit change.
- For ASCII data format, the YINCrement is the full scale voltage range covered by the A/D converter.

**A "Waveform data is not valid" error occurs when there is no data available for a channel. When this occurs, a zero value is returned.**

**Returned Format**       [:WAVEform:YINCrement] <real\_value><NL>  
<real\_value> A real number in exponential format.

---

**Example**                This example places the current Y-increment value for the currently specified source in the numeric variable, Value, then prints the contents of the variable to the computer's screen.

```
10 OUTPUT 707;":SYSTEM:HEADER OFF"!Response headers off
20 OUTPUT 707;":WAVEFORM:YINCREMENT?"
30 ENTER 707;Value
40 PRINT Value
50 END
```

---

**See Also**               For more information on BYTE and WORD formats see "Understanding WORD and BYTE Formats" on page 31-37.

You can also obtain the Y-increment value through the :WAVEform:PREamble? query.

---

## YORigin?

**Query** :WAVEform:YORigin?

The :WAVEform:YORigin? query returns the y-origin voltage value for the currently specified source. The voltage value returned is the voltage value represented by the waveform data digital code 00000.

- For BYTE and WORD data, and voltage waveforms, it is the voltage at digital code zero.
- For ASCII data format, the YORigin is the Y-axis value at the center of the data range. Data range is returned in the Y increment.

**A "Waveform data is not valid" error occurs when there is no data available for a channel. When this occurs, a zero value is returned.**

**Returned Format** [:WAVEform:YORigin] <real\_value><NL>  
<real\_value> A real number in exponential format.

---

### Example

This example places the current Y-origin value in the numeric variable, Center, then prints the contents of the variable to the computer's screen.

```
10 OUTPUT 707; ":SYSTEM:HEADER OFF"!Response headers off
20 OUTPUT 707; ":WAVEFORM:YORIGIN?"
30 ENTER 707;Center
40 PRINT Center
50 END
```

---

### See Also

For more information on BYTE and WORD formats see "Understanding WORD and BYTE Formats" on page 31-37.

You can obtain the Y-origin value through the :WAVEform:PREamble? query.

---

## YRANge?

**Query**                   :WAVeform:YRANge?

The :WAVeform:YRANge? query returns the Y-axis duration of the displayed waveform. For voltage waveforms, it is the voltage across the entire display.

**A "Waveform data is not valid" error occurs when there is no data available for a channel. When this occurs, a zero value is returned.**

**Returned Format**       [:WAVeform:YRANge] <value><NL>

<value> A real number representing the Y-axis duration of the displayed waveform.

---

### Example

This example returns the current Y-range value to the numeric variable, Value, then prints the contents of the variable to the computer's screen.

```
10 OUTPUT 707; ":SYSTEM:HEADER OFF"!Response headers off
20 OUTPUT 707; ":WAVEFORM:YRANGE?"
30 ENTER 707;Value
40 PRINT Value
50 END
```

---

## YREference?

**Query** :WAVeform:YREference?

The :WAVeform:YREference? query returns the y-reference voltage value for the currently specified source. It is at this level that the Y origin is defined. In this oscilloscope, the value is always zero.

**Returned Format** [:WAVeform:YREference] 0<NL>>

---

### Example

This example places the current Y-reference value for the currently specified source in the numeric variable, Value, then prints the contents of the variable to the computer's screen.

```
10 OUTPUT 707;":SYSTEM:HEADER OFF"!Response headers off
20 OUTPUT 707;":WAVEFORM:YREFERENCE?"
30 ENTER 707;Value
40 PRINT Value
50 END
```

---

### See Also

For more information on BYTE and WORD formats see “Understanding WORD and BYTE Formats” on page 31-37.

You can obtain the Y-reference value through the :WAVeform:PREamble? query.

---

## YUNits?

**Query**                   :WAVEform:YUNits?

The :WAVEform:YUNits? query returns the Y-axis units of the currently selected waveform source. The currently selected source may be a channel, function, or waveform memory.

**Returned Format**       [:WAVEform:YUNits] {UNKNown | VOLT | SEConD | HITS | DECibels  
| CONStant | AMP}<NL>

---

**Example**               This example returns the Y-axis units of the currently selected waveform source to the string variable, Unit\$, then prints the contents of the variable to the computer's screen.

```
10 DIM Unit$[50]!Dimension variable
20 OUTPUT 707;":WAVEFORM:YUNITS?"
30 ENTER 707;Unit$
40 PRINT Unit$
50 END
```





---

# Waveform Memory Commands

The Waveform Memory Subsystem commands let you save and display waveforms, memories, and functions. These Waveform Memory commands and queries are implemented in the Infiniium Oscilloscopes:

- DISPlay
- LOAD
- SAVE
- XOFFset
- XRANge
- YOFFset
- YRANge

**<N> in WMEMory<N> Indicates the Waveform Memory Number**

**In Waveform Memory commands, the <N> in WMEMory<N> represents the waveform memory number (1-4).**

---

## DISPlay

**Command**                   :WMEMory<N>:DISPlay {{ON|1} | {OFF|0}}

The :WMEMory<N>:DISPlay command enables or disables the viewing of the selected waveform memory.

<N> The memory number is an integer from 1 to 4.

---

**Example**                   This example turns on the waveform memory 1 display.

```
10 OUTPUT 707;":WMEMORY1:DISPLAY ON"  
20 END
```

---

**Query**                     :WMEMory<N>:DISPlay?

The :WMEMory<N>:DISPlay? query returns the state of the selected waveform memory.

**Returned Format**       [:WMEMory<N>:DISPlay] {1 | 0}<NL>

---

## LOAD

**Command**           :WMEMory<N>:LOAD <file\_name>

The :WMEMory<N>:LOAD command loads an oscilloscope waveform memory location with a waveform from a file that has an internal waveform format (extension .wfm), comma separated xypairs, (extension .csv), tab separated xypairs (extension .tsv), and yvalues text (extension .txt). You can load the file from either the c: or a: drive, or any lan connected drive. See the examples below.

The oscilloscope assumes that the default path for waveforms is c:\scope\data. To use a different path, specify the path and file name completely.

<N> The memory number is an integer from 1 to 4.

<file\_name> A quoted string which specifies the file to load, and has a .wfm, .csv, .tsv, or .txt extension.

---

### Examples

This example loads waveform memory 4 with a file.

```
10  OUTPUT 707; ":WMEMORY4:LOAD "c:\scope\data\waveform.wfm" "  
20  END
```

This example loads waveform memory 3 with a file that has the internal waveform format and is stored on the floppy drive.

```
10  OUTPUT 707; ":WMEMORY3:LOAD "a:\waveform.wfm" "  
20  END
```

---

### Related Commands

:DISK:LOAD  
:DISK:STORe

---

## SAVE

**Command**           :WMEmory<N>:SAVE {CHANnel<N> | CLOck | MTRend |  
MSpectrum | FUNction<N> | WMEmory<N>}

The :WMEmory<N>:SAVE command stores the specified channel, waveform memory, or function to the waveform memory. You can save waveforms to waveform memories regardless of whether the waveform memory is displayed or not.

<N> CHANnel<N> is:

    An integer, 1 - 2, for two channel Infiniium Oscilloscope.

    An integer, 1 - 4, for all other Infiniium Oscilloscope models.

FUNction<N> and WMEmory<N> are:

    Integers, 1 - 4, representing the selected function or waveform memory.

MTREnd and MSpectrum sources are only available if the oscilloscope has the EZJIT option installed and the feature is enabled.

The CLOck source is only available if the oscilloscope has the High Speed Serial option installed and the feature is enabled.

---

### Example

This example saves channel 1 to waveform memory 4.

```
10 OUTPUT 707; ":WMEmory4:SAVE CHANNEL1"  
20 END
```

---

---

## XOFFset

**Command**           :WMEMory<N>:XOFFset <offset\_value>

The :WMEMory<N>:XOFFset command sets the x-axis, horizontal position for the selected waveform memory's display scale. The position is referenced to center screen.

<N> The memory number is an integer from 1 to 4.

<offset\_value> A real number for the horizontal offset (position) value.

---

**Example**

This example sets the X-axis, horizontal position for waveform memory 3 to 0.1 seconds (100 ms).

```
10  OUTPUT 707; ":WMEMORY3:XOFFSET 0.1"  
20  END
```

---

**Query**               :WMEMory<N>:XOFFset?

The :WMEMory<N>:XOFFset? query returns the current X-axis, horizontal position for the selected waveform memory.

**Returned Format**   [:WMEMory<N>:XOFFset] <offset\_value><NL>

---

## XRANge

**Command**           :WMEMory<N>:XRANge <range\_value>

The :WMEMory<N>:XRANge command sets the X-axis, horizontal range for the selected waveform memory's display scale. The horizontal scale is the horizontal range divided by 10.

<N> The memory number is an integer from 1 to 4.

<range\_value> A real number for the horizontal range value.

---

**Example**           This example sets the X-axis, horizontal range of waveform memory 2 to 435 microseconds.

```
10  OUTPUT 707; ":WMEMORY2:XRANGE 435E-6"  
20  END
```

---

**Query**             :WMEMory<N>:XRANge?

The :WMEMory<N>:XRANge? query returns the current X-axis, horizontal range for the selected waveform memory.

**Returned Format**   [:WMEMory<N>:XRANge] <range\_value><NL>

---

## YOffset

**Command**                   :WMEmory<N>:YOffset <offset\_value>

The :WMEmory<N>:YOffset command sets the Y-axis (vertical axis) offset for the selected waveform memory.

<N> The memory number is an integer from 1 to 4.

<offset\_value> A real number for the vertical offset value.

---

**Example**

This example sets the Y-axis (vertical) offset of waveform memory 2 to 0.2V.

```
10 OUTPUT 707; ":WMEMORY2:YOFFSET 0.2"  
20 END
```

---

**Query**                     :WMEmory<N>:YOffset?

The :WMEmory<N>:YOffset? query returns the current Y-axis (vertical) offset for the selected waveform memory.

**Returned Format**       [:WMEmory<N>:YOffset] <offset\_value><NL>



---

## YRANge

**Command** :WMEMory<N>:YRANge <range\_value>

The :WMEMory<N>:YRANge command sets the Y-axis, vertical range for the selected memory. The vertical scale is the vertical range divided by 8.

<N> The memory number is an integer from 1 to 4.

<range\_value> A real number for the vertical range value.

---

**Example**

This example sets the Y-axis (vertical) range of waveform memory 3 to 0.2 volts.

```
10 OUTPUT 707; ":WMEMORY3:YRANGE 0.2"  
20 END
```

---

**Query** :WMEMory<N>:YRANge?

The :WMEMory<N>:YRANge? query returns the Y-axis, vertical range for the selected memory.

**Returned Format** [:WMEMory<N>:YRANge]<range\_value><NL>





---

# Error Messages

This chapter describes the error messages and how they are generated. The possible causes for the generation of the error messages are also listed in the following table.

---

## Error Queue

As errors are detected, they are placed in an error queue. This queue is first in, first out. If the error queue overflows, the last error in the queue is replaced with error -350, "Queue overflow." Anytime the error queue overflows, the oldest errors remain in the queue, and the most recent error is discarded. The length of the oscilloscope's error queue is 30 (29 positions for the error messages, and 1 position for the "Queue overflow" message). Reading an error from the head of the queue removes that error from the queue, and opens a position at the tail of the queue for a new error. When all errors have been read from the queue, subsequent error queries return 0, "No error."

The error queue is cleared when any of the following occur:

- the instrument is powered up,
- a \*CLS command is sent,
- the last item from the queue is read, or
- the instrument is switched from talk only to addressed mode on the front panel.

---

## Error Numbers

The error numbers are grouped according to the type of error that is detected.

- +0 indicates no errors were detected.
- -100 to -199 indicates a command error was detected
- -200 to -299 indicates an execution error was detected.
- -300 to -399 indicates a device-specific error was detected.
- -400 to -499 indicates a query error was detected.
- +1 to +32767 indicates an oscilloscope specific error has been detected.

---

## Command Error

An error number in the range -100 to -199 indicates that an IEEE 488.2 syntax error has been detected by the instrument's parser. The occurrence of any error in this class sets the command error bit (bit 5) in the event status register and indicates that one of the following events occurred:

- An IEEE 488.2 syntax error was detected by the parser. That is, a computer-to-oscilloscope message was received that is in violation of the IEEE 488.2 standard. This may be a data element that violates the oscilloscope's listening formats, or a data type that is unacceptable to the oscilloscope.
- An unrecognized header was received. Unrecognized headers include incorrect oscilloscope-specific headers and incorrect or unimplemented IEEE 488.2 common commands.
- A Group Execute Trigger (GET) was entered into the input buffer inside of an IEEE 488.2 program message.

Events that generate command errors do not generate execution errors, oscilloscope-specific errors, or query errors.

## Execution Error

An error number in the range -200 to -299 indicates that an error was detected by the instrument's execution control block. The occurrence of any error in this class causes the execution error bit (bit 4) in the event status register to be set. It also indicates that one of the following events occurred:

- The program data following a header is outside the legal input range or is inconsistent with the oscilloscope's capabilities.
- A valid program message could not be properly executed due to some oscilloscope condition.

Execution errors are reported by the oscilloscope after expressions are evaluated and rounding operations are completed. For example, rounding a numeric data element will not be reported as an execution error. Events that generate execution errors do not generate command errors, oscilloscope specific errors, or query errors.



---

## Device- or Oscilloscope-Specific Error

An error number in the range of -300 to -399 or +1 to +32767 indicates that the instrument has detected an error caused by an oscilloscope operation that did not properly complete. This may be due to an abnormal hardware or firmware condition. For example, this error may be generated by a self-test response error, or a full error queue. The occurrence of any error in this class causes the oscilloscope-specific error bit (bit 3) in the event status register to be set.

---

## Query Error

An error number in the range -400 to -499 indicates that the output queue control of the instrument has detected a problem with the message exchange protocol. An occurrence of any error in this class should cause the query error bit (bit 2) in the event status register to be set. An occurrence of an error also means one of the following is true:

- An attempt is being made to read data from the output queue when no output is either present or pending.
- Data in the output queue has been lost.

---

## List of Error Messages

Figure 33-1 is a list of the error messages that are returned by the parser on this oscilloscope.

**Figure 33-1**

---

### Error Messages

---

0	<b>No error</b>	<b>The error queue is empty. Every error in the queue has been read (SYSTEM:ERROR? query) or the queue was cleared by power-up or *CLS.</b>
-100	<b>Command error</b>	<b>This is the generic syntax error used if the oscilloscope cannot detect more specific errors.</b>
-101	<b>Invalid character</b>	<b>A syntactic element contains a character that is invalid for that type.</b>
-102	<b>Syntax error</b>	<b>An unrecognized command or data type was encountered.</b>
-103	<b>Invalid separator</b>	<b>The parser was expecting a separator and encountered an illegal character.</b>
-104	<b>Data type error</b>	<b>The parser recognized a data element different than one allowed. For example, numeric or string data was expected but block data was received.</b>
-105	<b>GET not allowed</b>	<b>A Group Execute Trigger was received within a program message.</b>
-108	<b>Parameter not allowed</b>	<b>More parameters were received than expected for the header.</b>
-109	<b>Missing parameter</b>	<b>Fewer parameters were received than required for the header.</b>
-112	<b>Program mnemonic too long</b>	<b>The header or character data element contains more than twelve characters.</b>
-113	<b>Undefined header</b>	<b>The header is syntactically correct, but it is undefined for the oscilloscope. For example, *XYZ is not defined for the oscilloscope.</b>
-121	<b>Invalid character in number</b>	<b>An invalid character for the data type being parsed was encountered. For example, a "9" in octal data.</b>
-123	<b>Numeric overflow</b>	<b>Number is too large or too small to be represented internally.</b>
-124	<b>Too many digits</b>	<b>The mantissa of a decimal numeric data element contained more than 255 digits excluding leading zeros.</b>
-128	<b>Numeric data not allowed</b>	<b>A legal numeric data element was received, but the oscilloscope does not accept one in this position for the header.</b>
-131	<b>Invalid suffix</b>	<b>The suffix does not follow the syntax described in IEEE 488.2 or the suffix is inappropriate for the oscilloscope.</b>
-138	<b>Suffix not allowed</b>	<b>A suffix was encountered after a numeric element that does not allow suffixes.</b>
-141	<b>Invalid character data</b>	<b>Either the character data element contains an invalid character or the particular element received is not valid for the header.</b>
-144	<b>Character data too long</b>	
-148	<b>Character data not allowed</b>	<b>A legal character data element was encountered where prohibited by the oscilloscope.</b>
-150	<b>String data error</b>	<b>This error can be generated when parsing a string data element. This particular error message is used if the oscilloscope cannot detect a more specific error.</b>
-151	<b>Invalid string data</b>	<b>A string data element was expected, but was invalid for some reason. For example, an END message was received before the terminal quote character.</b>

---

## Error Messages

### List of Error Messages

-158	String data not allowed	A string data element was encountered but was not allowed by the oscilloscope at this point in parsing.
-160	Block data error	This error can be generated when parsing a block data element. This particular error message is used if the oscilloscope cannot detect a more specific error.
-161	Invalid block data	
-168	Block data not allowed	A legal block data element was encountered but was not allowed by the oscilloscope at this point in parsing.
-170	Expression error	This error can be generated when parsing an expression data element. It is used if the oscilloscope cannot detect a more specific error.
-171	Invalid expression	
-178	Expression data not allowed	Expression data was encountered but was not allowed by the oscilloscope at this point in parsing.
-200	Execution error	This is a generic syntax error which is used if the oscilloscope cannot detect more specific errors.
-212	Arm ignored	
-213	Init ignored	
-214	Trigger deadlock	
-215	Arm deadlock	
-220	Parameter error	
-221	Settings conflict	
-222	Data out of range	Indicates that a legal program data element was parsed but could not be executed because the interpreted value is outside the legal range defined by the oscilloscope.
-223	Too much data	Indicates that a legal program data element of block, expression, or string type was received that contained more data than the oscilloscope could handle due to memory or related oscilloscope-specific requirements.
-224	Illegal parameter value	
-230	Data corrupt or stale	
-231	Data questionable	
-240	Hardware error	
-241	Hardware missing	
-250	Mass storage error	
-251	Missing mass storage	
-252	Missing media	
-253	Corrupt media	
-254	Media full	
-255	Directory full	
-256	File name not found	
-257	File name error	
-258	Media protected	
-260	Expression error	

-261	<b>Math error in expression</b>	
-300	<b>Device specific error</b>	
-310	<b>System error</b>	<b>Indicates that a system error occurred.</b>
-311	<b>Memory error</b>	
-312	<b>PUD memory error</b>	
-313	<b>Calibration memory lost</b>	
-314	<b>Save/recall memory lost</b>	
-315	<b>Configuration memory lost</b>	
-321	<b>Out of memory</b>	
-330	<b>Self-test failed</b>	
-350	<b>Queue overflow</b>	<b>Indicates that there is no room in the error queue and an error occurred but was not recorded.</b>
-370	<b>No sub tests are defined for the selected self test</b>	
-371	<b>Self Test status is corrupt or no self test has been executed</b>	
-372	<b>This product configuration does not support the requested self test</b>	
-373	<b>This product configuration does not support the requested source</b>	
-374	<b>The requested self test log file could not be found</b>	
-375	<b>Attenuator relay actuation counts can only be modified during factory service</b>	
-400	<b>Query error</b>	<b>This is the generic query error.</b>
-410	<b>Query INTERRUPTED</b>	
-420	<b>Query UNTERMINATED</b>	
-430	<b>Query DEADLOCKED</b>	
-440	<b>Query UNTERMINATED after indefinite response</b>	



---

# Index

---

## Symbols

...  
Ellipsis 1-5

## Numerics

707 1-20  
9.99999E+37  
Infinity Representation 6-15

## A

Aborting a digitize operation 2-13  
aborting a digitize operation 1-18  
ABSolute 17-5  
absolute voltage  
    and VMAX 24-131  
    and VMIN 24-133  
accuracy and probe calibration 10-4  
Acquire Commands 8-2  
    AVERage 8-3  
    COMPLete 8-5  
    COMPLete STATe 8-7  
    COUNT 8-4  
    INTerpolate 8-8  
    MODE 8-9  
    POINTs 8-11  
    POINTs AUTO 8-21  
    SRATe 8-25  
    SRATe AUTO 8-27  
acquisition  
    ACQuire AVER and completion 8-5  
    points 8-11  
    record length 8-11  
    sample program 7-7  
    sample rate 8-25  
active probes and calibration 10-4  
ADD 17-6  
address, GPIB default 2-7  
advanced  
    COMM triggering 30-25  
    delay trigger modes 30-45, 30-54  
    delay triggering 30-46, 30-55  
    logic triggering 30-32, 30-38  
    pattern triggering 30-33  
    state triggering 30-39  
    TV commands 30-61, 30-67  
advanced trigger violation modes 30-73  
pulse width violation mode 30-75  
setup violation mode 30-81

transition violation mode 30-107  
advisory line, reading and writing to 28-2  
AER? 26-4, 26-5  
algebraic sum of functions 17-6  
ALIGn 23-4  
AlignFIT 23-5  
ALL, and VIEW 31-57  
alphanumeric  
    characters in embedded string 1-13  
    strings 1-11  
AMPS as vertical units 11-19, 11-31,  
    16-14, 16-20  
AREA 18-3, 24-7  
Arm Event Register  
    ARM bit 12-21  
Arming the trigger 2-13  
ASCII  
    and FORMat 31-41  
    character 32 1-5  
    linefeed 1-13  
ATER? 26-6  
attenuation factor for probe 10-4, 11-7,  
    16-5  
AUTO 8-27, 23-15  
automatic measurements  
    sample program 7-8  
AUToscale 26-7  
    during initialization 1-15  
    in sample program 7-15  
availability of measured data 4-2  
AVERage 8-3, 17-7, 23-16  
    and acquisition completion 8-5  
    and count 8-4, 23-17  
AXIS 19-4

## B

BANDpass query 31-5  
bandwidth limit 31-5  
basic command structure 1-16  
basic operations 1-2  
BASIC sample programs 7-2  
BIND  
    in MTESt SCALE command 23-36  
Bit Definitions in Status Reporting 4-3  
BLANK 26-8  
    and VIEW 26-31  
blanking the user text area 15-21  
block data 1-4, 1-21

    in learnstring 1-4  
Block Diagram  
    Status Reporting Overview 4-3  
Braces 1-5  
Brackets  
    Square 1-5  
buffer, output 1-10, 1-19  
buffered responses 6-15  
Bus Activity, Halting 2-13  
Bus Commands 2-13  
BWIDTH 24-8  
    in TRIG ADV COMM 30-26  
BWLimit 11-3, 16-3  
BYTE  
    and FORMat 31-42  
    Understanding the format 31-37  
BYTeorder 31-6  
    and DATA 31-11

## C

C Program  
    DATA? Analog Channels 31-12  
    DATA? Digital Channels 31-26  
C sample programs 7-2  
Calibration Commands 10-2, 10-5  
    OUTPut 10-6  
    SKEW 10-7  
    STATus? 10-8  
calibration status 10-8  
CANCEL  
    in self-test command 27-3  
CDIRectory 14-3  
CDISplay (Clear DISplay) 26-9  
center screen voltage 11-6, 11-17  
CGRade 15-3  
Channel Commands 11-2  
    BWLimit 11-3  
    DISPlay 11-4  
    EADapter 11-10  
    ECoupling 11-12  
    INPut 11-5  
    OFFSet 11-6  
    PROBE 11-7  
    PROBE ATTenuation 11-9  
    PROBE EXTErnal 11-14  
    PROBE EXTErnal GAIN 11-15  
    PROBE EXTErnal OFFSet 11-17  
    PROBE EXTErnal UNITs 11-19

- 
- PROBE GAIN 11-21, 16-16
  - PROBE ID? 11-25
  - PROBE SKEW 11-27
  - PROBE STYPE 11-28
  - RANGE 11-29
  - SCALE 11-30
  - UNITs 11-31
  - CHANnel PROBE ID? 11-25
  - channels, and VIEW 31-57
  - channel-to-channel skew factor 10-7
  - character program data 1-11
  - CLEAR 24-16
  - Clearing
    - Buffers 2-13
    - Pending Commands 2-13
  - clearing
    - DONE bit 4-17
    - error queue 4-18, 33-3
    - registers and queues 4-19
    - Standard Event Status Register 4-11, 12-7
    - status data structures 12-4
    - TRG bit 4-10, 4-17
  - clipped waveforms, and measurement error 24-6
  - CLOCK 24-17
    - and STATE 30-40
    - in TRIG ADV STATE 30-40
  - CLOCK METHod 24-18
  - CLOCK VERTical 24-20
  - CLOCK VERTical RANGE 24-22
  - \*CLS (Clear Status) 12-4
  - CME bit 12-6, 12-8
  - COLumn 15-7
  - combining
    - commands in same subsystem 1-8
    - long- and short-form headers 1-11
  - combining compound and simple commands 1-14
  - Command
    - EADapter 11-10, 16-7
    - ECoupling 11-12, 16-9
    - \*ESE 12-5
    - ABSolute 17-5
    - ADD 17-6
    - AER? 26-4, 26-5
    - ALIGn 23-4
    - AlignFIT 23-5
    - AMASK CREate 23-7
    - AMASK SAVEISTORE 23-9
    - AMASK SOURce 23-8
    - AMASK UNITs 23-10
    - AMASK XDELta 23-11
    - AMASK YDELta 23-13
    - AREA 18-3, 24-7
    - ATER? 26-6
    - AUTO 23-15
    - AUToscale 26-7
    - AVERage 8-3, 17-7, 23-16
    - AVERage COUNT 23-17
    - AXIS 19-4
    - BLANK 26-8
    - BWIDTH 24-8
    - BWLimit 11-3, 16-3
    - CANCEL 27-3
    - CDIRECTory 14-3
    - CDISplay 26-9
    - CGRade 15-3
      - LEVELs? 15-5
    - CGRade CROSSing 24-10
    - CGRade DCDistortion 24-11
    - CGRade EHEight 24-12
    - CGRade EWIDTH 24-13
    - CGRade JITTER 24-14
    - CGRade QFACTOR 24-15
    - CHANnel PROBE ID? 11-21
    - CLEAR 24-16
    - CLear Status 12-4
    - CLOCK 24-17
    - CLOCK METHod 24-18
    - CLOCK VERTical 24-20
    - CLOCK VERTical RANGE 24-22
    - COLumn 15-7
    - COMMonmode 17-8
    - COMPLETE 8-5
    - COMPLETE STATE 8-7
    - CONNECT 15-8
    - COUNT 8-4
    - COUNT FAILures? 23-18
    - COUNT FWAVEforms? 23-19
    - COUNT WAVEforms? 23-20
    - CTCDutycycle 24-23
    - CTCJitter 24-25
    - CTCwidth 24-27
    - CTCPwidth 24-28
    - CURSor? 22-3
    - DATA? 15-9
    - DATarate 24-9, 24-29
    - DATE 28-3
    - DCOLOR 15-10
    - DEBUg 28-4
    - DEFine 24-31
    - DELay 20-3
    - DELeTe 14-4, 23-21
    - DELTatime 24-36
    - DIFF 17-9
    - DIGitize 1-17, 26-10
    - DIRECTory? 14-5
    - DISable 26-12
    - DISPlay 11-4, 17-10, 32-3
    - DIVide 17-11
    - DPRInter 18-4
    - DSP 28-6
    - DUTYcycle 24-38
    - EDGE 20-10
    - ENABLE 23-22, 26-13
    - ERRor? 28-7
    - Event Status Enable 12-5
    - EXT PROBE 16-5
    - EXT PROBE ATTenuation 16-6
    - EXT PROBE GAIN 16-16
    - EXT PROBE ID? 16-17
    - EXT PROBE SKEW 16-18
    - FACTors 18-6
    - FAIL 20-4, 21-3
    - FALLtime 24-40
    - FFT DFRequency 24-42
    - FFT FREquency 17-12, 24-44
    - FFT MAGNitude 24-45
    - FFT PEAK1 24-46
    - FFT PEAK2 24-47
    - FFT REFerence 17-13
    - FFT RESolution 17-14
    - FFT THRESHold 24-48
    - FFT WINDow 17-15
    - FFTMagnitude 17-17
    - FFTPhase 17-18
    - FOLDing 23-23
    - FOLDing:BITS 23-24
    - FREquency 24-49
    - GPIB Mode 2-6
    - GRATICule 15-11
    - GRATICule INTensity 15-11



- 
- HAMplitude 23-25
  - HEADer 28-8, 28-10
  - HIGHpass 17-19, 17-24
  - HISTogram HITS 24-51
  - HISTogram M1S 24-53
  - HISTogram M2S 24-55
  - HISTogram M3S 24-57
  - HOLDtime 24-66
  - HORizontal POSition 17-20
  - HORizontal RANGE 17-21
  - HYSTeresis 20-11
  - HYSTeresis 20-13
  - IMAGe 18-7
  - IMPedance 23-26
  - INPut 11-5, 16-4
  - INTEgrate 17-22
  - INTErpolate 8-8
  - INVert 17-23, 23-28
  - JITTer HISTogram 24-68
  - JITTer MEASurement 24-69
  - JITTer SPECTrum 24-70
  - JITTer SPECTrum HORizontal 24-71
  - JITTer SPECTrum HORizontal POSITION 24-72
  - JITTer SPECTrum HORizontal RANGE 24-73
  - JITTer SPECTrum VERTical 24-74
  - JITTer SPECTrum VERTical OFFSet 24-75
  - JITTer SPECTrum VERTical RANGE 24-76
  - JITTer SPECTrum WINDow 24-77
  - JITTer STATistics 24-78
  - JITTer TREND 24-79
  - JITTer TREND SMOoth 24-80
  - JITTer TREND SMOoth POINTs 24-81
  - JITTer TREND VERTical 24-82
  - JITTer TREND VERTical OFFSet 24-21, 24-83
  - JITTer TREND VERTical RANGE 24-84
  - LAMPitude 23-29
  - LINE 15-14
  - LLEVel 20-14
  - LLIMit 20-5, 21-4
  - LOAD 14-6, 23-30, 32-4
  - LONGform 28-11
  - MAGNify 17-25
  - MAXimum 17-26, 17-27
  - MDIREctory 14-7
  - MEASure FFT DMAGnitude 24-43
  - MEASurement 20-6, 21-5
  - MEASurement READout 22-4
  - MINimum 17-28
  - MODE 8-9, 19-5, 20-9, 20-19, 22-5
  - MODEL? 26-16
  - MPROtect 10-6
  - MULTIply 17-29
  - NCJitter 24-85
  - NREGions? 23-31
  - NWIDTH 24-87
  - OFFSet 11-6, 17-30
  - OPEE 26-17
  - OPER? 26-18
  - Operation Complete (\*OPC) 12-12
  - Option (\*OPT) 12-13
  - OUTPut 10-6
  - OVERshoot 24-89
  - OVLenable 26-19
  - OVLRegister? 26-20
  - PATtern 20-17
  - PATtern THRESHold LEVEL 30-36, 30-44
  - PERiod 24-91
  - PERSistence 15-15
  - PHASE 24-93
  - PLACEMENT 20-20
  - POINTs 8-11
  - POINTs AUTO 8-21
  - POSITION 29-3
  - Power-on Status Clear (\*PSC) 12-14
  - PREShoot 24-95
  - PRINT 26-21
  - PRINTers? 18-8
  - PROBE 11-7, 16-5
  - PROBE ATTenuation 11-9
  - PROBE EXTERNAL 11-14, 16-11
  - PROBE EXTERNAL GAIN 11-15, 16-12
  - PROBE EXTERNAL OFFSet 11-17
  - PROBE EXTERNAL UNITs 11-19, 16-14
  - PROBE GAIN 11-21
  - PROBE IMPedance? 23-32
  - PROBE SKEW 11-27, 16-18
  - PROBE STYPE 11-28
  - PWD? 14-12
  - PWIDTH 24-97
  - QUALifier CONDition 24-99
  - QUALifier SOURCE 24-100
  - QUALifier STATE 24-101
  - RANGE 11-29, 16-19, 17-31, 29-4
  - Recall (\*RCL) 12-15
  - RECall SETup 26-22
  - REFERENCE 29-5
  - Reset (\*RST) 12-16
  - RESults? 24-102
  - RISetime 24-105
  - ROLL 29-6
  - ROW 15-16
  - RUMode 23-33
  - SOFailure 23-35
  - RUN 26-23
  - SAVE 32-5
  - SAVE:IMAGe 14-13
  - SAVE:LISTing 14-14
  - SAVE:MEASurements 14-15
  - SAVE:SETup 14-16
  - SAVE:WAVEform 14-17
  - SCALE 11-30, 29-7
  - SCALE BIND 23-36
  - SCALE SIZE 19-6
  - SCALE X1 23-37
  - SCALE XDELta 23-38
  - SCALE Y1 23-40
  - SCALE Y2 23-41
  - SCOLOR 15-17
  - SCOPETEST 27-4
  - SCRatch 24-107
  - SEGmented 14-43
  - SENDvalid 24-108
  - SERial 26-24
  - Service Request Enable (\*SRE) 12-18
  - SETup 28-13
  - SETuptime 24-109
  - SINGLE 26-25
  - SKEW 10-7
  - SLEWrate 24-111
  - SMOoth 17-32
  - SOURCE 20-12, 20-15, 20-18, 20-21, 23-42, 24-112
  - SQRT 17-33
  - SQUARE 17-34
-

---

SRATe 8-25  
 SRATe AUTO 8-27  
 START | STOP 23-43  
 STATE 20-22  
 STATistics 24-113  
 STATus? 10-8  
 STIME 23-44, 23-46  
 STOP 26-27  
 STORe 14-8, 14-44  
     WAVEform 26-29  
 STORe SETup 26-28  
 STRing 15-20  
 SUBTract 17-35  
 TDELta? 22-6  
 TEDGe 24-114  
 TER? 26-30  
 TEST 20-7, 21-7  
 TEXT 15-21  
 TIEClock2 24-116  
 TIEData 24-118  
 TIME 28-15  
 TITLE? 23-45  
 TMAX 24-120  
 TMIN 24-121  
 TRIG ADV COMM BWID 30-26  
 TRIG ADV COMM ENCode 30-27  
 TRIG ADV COMM LEVel 30-28  
 TRIG ADV COMM PATTern 30-29  
 TRIG ADV COMM POLarity 30-30  
 TRIG ADV COMM SOURce 30-31  
 TRIG ADV EDLY ARM SLOPe 30-48  
 TRIG ADV EDLY ARM SOURce  
     30-47  
 TRIG ADV EDLY EVENT DELay  
     30-49  
 TRIG ADV EDLY EVENT SLOPe  
     30-51  
 TRIG ADV EDLY EVENT SOURce  
     30-50  
 TRIG ADV EDLY TRIG SLOPe 30-53  
 TRIG ADV EDLY TRIG SOURce  
     30-52  
 TRIG ADV PATT CONDITION 30-34  
 TRIG ADV PATT LOGic 30-35  
 TRIG ADV STATe CLOCK 30-40  
 TRIG ADV STATe LOGic 30-41  
 TRIG ADV STATe LTYPe 30-42  
 TRIG ADV STATe SLOPe 30-43  
 TRIG ADV STV FIELd 30-63  
 TRIG ADV STV LINE 30-64  
 TRIG ADV STV SOURce 30-65  
 TRIG ADV STV SPOLarity 30-66  
 TRIG ADV TDLY ARM SLOPe 30-57  
 TRIG ADV TDLY ARM SOURce  
     30-56  
 TRIG ADV TDLY DELay 30-58  
 TRIG ADV TDLY TRIG SLOPe 30-60  
 TRIG ADV TDLY TRIG SOURce  
     30-59  
 TRIG ADV UDTV ENUMber 30-69  
 TRIG ADV UDTV PGTHan 30-70  
 TRIG ADV UDTV POLarity 30-71  
 TRIG ADV UDTV SOURce 30-72  
 TRIG ADV VIOL MODE 30-74  
 TRIG ADV VIOL PWID DIR 30-77  
 TRIG ADV VIOL PWID POL 30-78  
 TRIG ADV VIOL PWID WIDT 30-80  
 TRIG ADV VIOL PWIDTH 30-79  
 TRIG ADV VIOL SET HOLD DSO  
     30-95  
 TRIG ADV VIOL SET HOLD DSO  
     HTHR 30-96  
 TRIG ADV VIOL SET HOLD DSO  
     LTHR 30-97  
 TRIG ADV VIOL SET HOLD TIME  
     30-98  
 TRIG ADV VIOL SET MODE 30-84  
 TRIG ADV VIOL SET SET CSO 30-85  
 TRIG ADV VIOL SET SET CSO  
     EDGE 30-87  
 TRIG ADV VIOL SET SET CSO LEV  
     30-86  
 TRIG ADV VIOL SET SET DSO 30-88  
 TRIG ADV VIOL SET SET DSO  
     HTHR 30-89  
 TRIG ADV VIOL SET SET DSO  
     LTHR 30-90  
 TRIG ADV VIOL SET SET TIME?  
     30-91  
 TRIG ADV VIOL SET SHOL CSO  
     30-99  
 TRIG ADV VIOL SET SHOL CSO  
     EDGE 30-101  
 TRIG ADV VIOL SET SHOL CSO  
     LEV 30-100  
 TRIG ADV VIOL SET SHOL DSO  
     30-102  
 TRIG ADV VIOL SET SHOL DSO  
     HTHR 30-103  
 TRIG ADV VIOL SET SHOL DSO  
     LTHR 30-104  
 TRIG ADV VIOL SET SHOL HTIME  
     30-106  
 TRIG ADV VIOL SET SHOL STIME  
     30-105  
 TRIG ADV VIOL TRAN 30-109  
 TRIG ADV VIOL TRAN SOUR 30-110  
 TRIG ADV VIOL TRAN SOUR HTHR  
     30-111  
 TRIG ADV VIOL TRAN SOUR LTHR  
     30-112  
 TRIG ADV VIOL TRAN TYPE 30-113  
 TRIG EDGE COUPling 30-17  
 TRIG EDGE SLOPe 30-18  
 TRIG EDGE SOURce 30-19  
 TRIG GLITCh POLarity 30-22  
 TRIG GLITCh SOURce 30-23  
 TRIG GLITCh WIDTh 30-24  
 TRIG HOLDoff 30-9  
 TRIG HTHR 30-10  
 TRIG HYSTeresis 30-11  
 TRIG LEVel 30-12  
 TRIG LTHR 30-13  
 TRIG SWEep 30-14  
 Trigger (\*TRG) 12-22  
 TRIGger EDGE SLOPe 30-15  
 TRIGger EDGE SOURce 30-15  
 TRIGger MODE 30-6, 30-8  
 TSTArt 22-7  
 TSTOp 22-9  
 TVOLT 24-122  
 ULEVel 20-16  
 ULIMit 20-8, 21-8  
 UNITinterval 24-124  
 UNITs 11-31, 16-20  
 VAMPplitude 24-126  
 VAVerage 24-127  
 VBASe 24-129  
 VDELta? 22-11  
 VERSus 17-36  
 VERTical 17-37  
 VIEW 26-31, 29-8  
 VIOL SET HOLD CSO 30-92  
 VIOL SET HOLD CSO EDGE 30-94

- 
- VIOL SET HOLD CSO LEV 30-93
  - VLOWer 24-130
  - VMAX 24-131
  - VMIDdle 24-132
  - VMIN 24-133
  - VPP 24-134
  - VRMS 24-135
  - VSTArt 22-12
  - VSTOp 22-14
  - VTIME 24-137
  - VTOP 24-138
  - VUPPer 24-139
  - Wait-to-Continue (\*WAI) 12-24
  - WAVEform BYTeorder 31-6
  - WAVEform FORMat 31-41
  - WAVEform SOURce 31-53
  - WAVEform VIEW 31-57
  - WINDow DEFault 19-7
  - WINDow DELay 29-9
  - WINDow POSItion 29-11
  - WINDow RANGe 29-12
  - WINDow SCALe 29-13
  - WINDow SOURce 19-8
  - WINDow X1Position|LLIMit 19-9
  - WINDow X2Position|RLIMit 19-10
  - WINDow Y1Position|TLIMit 19-11
  - WINDow Y2Position|BLIMit 19-12
  - X1Position 22-16
  - X1Y1source 22-18
  - X2Position 22-17
  - X2Y2source 22-19
  - XOFFset 32-6
  - XRANge 32-7
  - Y1Position 22-21
  - Y2Position 22-22
  - YOFFset 32-8
  - YRANge 32-9
  - command
    - execution and order 3-4
    - structure 1-16
  - Command and Data Concepts
    - GPIB 2-6
  - Command Error 33-5
    - Status Bit 4-3
  - Command Tree 6-4, 6-6, 6-7, 6-8, 6-9
  - Command Types 6-4
  - Commands
    - MTEE 26-14
  - commands embedded in program
    - messages 1-14
  - commas and spaces 1-6
  - comma-separated
    - variable file format 7-13
  - Common Command Header 1-8
  - Common Commands 12-2
    - Clear Status (\*CLS) 12-4
    - Event Status Enable (\*ESE) 12-5
    - Event Status Register (\*ESR) 12-7
    - Identification Number (\*IDN) 12-9
    - Learn (\*LRN) 12-10
    - Operation Complete (\*OPC) 12-12
    - Option (\*OPT?) 12-13
    - Power-on Status Clear (\*PSC?) 12-14
    - Recall (\*RCL) 12-15
    - Reset (\*RST) 12-16
    - Save (\*SAV) 12-17
    - Service Request Enable (\*SRE) 12-18
    - Status Byte (\*STB?) 12-20
    - Test (\*TST?) 12-23
    - Trigger (\*TRG) 12-22
    - Wait-to-Continue (\*WAI) 12-24
    - within a program message 12-3
  - COMMONmode 17-8
  - commonmode voltage of operands 17-8
  - Communicating Over the GPIB Interface 2-7
  - Communicating Over the LAN Interface 2-8
  - COMPLete 8-5
  - COMPLete query 31-7
  - COMPLete STATe 8-7
  - compound command header 1-7
  - compound queries 3-4
  - Computer Code and Capability 2-5
  - concurrent commands 6-15
  - CONDItion
    - in TRIG ADV PATtern 30-34
  - CONNect 15-8
  - conventions of programming 6-2
  - converting waveform data
    - from data value to Y-axis units 31-4
    - sample program 7-12
  - COUNT 8-4
    - in MTESt AVERAge command 23-17
  - COUNT query 31-8
  - COUPLing
    - in TRIGger EDGE 30-17
  - COUPLing query 31-9
  - coupling, input 11-5, 16-4
  - CREate
    - in MTESt AMASk command 23-7
  - CROSSing
    - in MEASure CGRAde command 24-10
  - CTCDutycycle 24-23
  - CTCJitter 24-25
  - CTCNwidth 24-27
  - CTCPwidth 24-28
  - CURSor? 22-3
  - D**
  - data
    - acquisition 31-3
    - conversion 31-4
    - data in a learnstring 1-4
    - data in a program 1-6
    - Data Mode
      - GPIB 2-6
    - Data Structures
      - and Status Reporting 4-5
    - data transmission mode
      - and FORMat 31-41
    - DATA? 15-9, 31-10
      - Analog Channels C Program 31-12
      - Digital Channels C Program 31-26
    - DATARate 24-9, 24-29
    - DATE 28-3
    - DCDistortion
      - in MEASure CGRAde command 24-11
    - DCOLor 15-10
    - DDE bit 12-6, 12-8
    - DEBUg 28-4
    - decimal 32 (ASCII space) 1-5
    - Decision Chart for Status Reporting 4-20
    - DEFault
      - in HISTogram WINDow command 19-7
    - Default
      - GPIB Address 2-7
      - Startup Conditions 2-4
    - Default Startup Conditions 2-4
-

- 
- DEFine 24-31
  - defining functions 17-2
  - def-length block response data 1-21
  - DELay 20-3
    - in TRIG ADV EDLY EVENT 30-49
    - in TRIG ADV TDLY 30-58
  - delay
    - and WINDOW DELay 29-9
  - delay trigger modes 30-45, 30-54
  - DELeTe 14-4, 23-21
  - deleting files 14-4
  - DELTAtime 24-36
    - and DEFine 24-31
  - derivative of functions 17-9
  - Device Address
    - GPIB 2-7
    - LAN 2-8
  - device address 1-3, 1-4
  - Device Clear (DCL) 2-13
  - Device Clear Code and Capability 2-5
  - Device Dependent Error (DDE), Status Bit 4-3
  - Device- or Oscilloscope-Specific Error 33-7
  - Device Trigger Code and Capability 2-5
  - device-dependent data 1-21
  - DFREquency
    - in MEASure FFT command 24-42
  - DIFF 17-9
  - DIGitize 26-10
    - setting up for execution 8-2
  - Digitize
    - Aborting 2-13
  - DIRectory? 14-5
  - DISable 26-12
  - Disabling Serial Poll 2-13
  - discrete derivative of functions 17-9
  - Disk Commands 14-2
    - CDIRectory 14-3
    - DELeTe 14-4
    - DIRectory? 14-5
    - LOAD 14-6
    - MDIRectory 14-7
    - PWD? 14-12
    - SAVE:IMAGe 14-13
    - SAVE:LISTing 14-14
    - SAVE:MEASurements 14-15
    - SAVE:SETup 14-16
  - SAVE:WAVEform 14-17
    - SEGmented 14-43
    - STORE 14-8, 14-44
  - DISPlay 11-4, 17-10, 32-3
  - DISPlay Commands
    - CGRade 15-3
    - CGRADe LEVels? 15-5
    - CGRADe LEVels? 15-5
  - Display Commands 15-2
    - COLumn 15-7
    - CONNect 15-8
    - DATA? 15-9
    - DCOLor 15-10
    - GRATicule 15-11
    - GRATicule INTensity 15-11
    - LINE 15-14
    - PERsistence 15-15
    - ROW 15-16
    - SCOLor 15-17
    - STRing 15-20
    - TEXT 15-21
  - display persistence 15-15
  - DIVide 17-11
  - dividing functions 17-11
  - DMAGnitude
    - in MEASure FFT command 24-43
  - DPRinter 18-4
  - Driver Electronics Code and Capability 2-5
  - DSP (display) 28-6
  - duplicate mnemonics 1-9
  - DUTYcycle 24-38
- E**
- EADapter 11-10, 16-7
  - ECoupling 11-12, 16-9
  - EDGE
    - trigger mode 30-15
  - EDGE trigger commands 30-15
  - EHEight
    - in MEASure CGRade command 24-12
  - Ellipsis
    - ... 1-5
  - embedded
    - commands 1-14
    - strings 1-3, 1-4, 1-13
  - ENABLE 23-22, 26-13
  - Enable Register 12-3
  - ENCode
    - in TRIG ADV COMM 30-27
  - End Of String (EOS) 1-13
  - End Of Text (EOT) 1-13
  - End-Or-Identify (EOI) 1-13
  - ENUMber
    - in TRIG ADV UDTV 30-69
  - EOI and IEEE 488.2 6-15
  - equipment for calibration 10-3
  - equivalent time mode 8-9
  - error
    - in measurements 24-5
    - messages 33-2
    - numbers 33-4
    - query interrupt 1-10, 1-19
  - Error Messages table 33-9
  - error queue 33-3
    - and status reporting 4-18
    - overflow 33-3
  - ERRor? 28-7
  - errors
    - exceptions to protocol 3-4
  - ESB (Event Status Bit) 4-4, 12-19, 12-21
  - ESB (Event Summary Bit) 12-5
  - \*ESE (Event Status Enable) 12-5
  - ESR (Standard Event Status Register) 4-11
  - ETIME 8-9
  - event monitoring 4-2
  - Event Registers Default 2-4
  - Event Status Bit (ESB) 4-4
  - Event Status Enable (\*ESE)
    - Status Reporting 4-12
  - Event Summary Bit (ESB) 12-5
  - EWIDth
    - in MEASure CGRade command 24-13
  - EWINDOW, and DEFine 24-32
  - Example Program 1-16
  - in initialization 1-16
  - example programs
    - C and BASIC 7-2
  - exceptions to protocol 3-4
  - EXE bit 12-6, 12-8
  - executing DIGITIZE 8-2
  - execution
    - errors, and command errors 33-5

- 
- of commands and order 3-4
  - Execution Error 33-6
  - Execution Error (EXE), Status Bit 4-3
  - exponential notation 1-12
  - exponents 1-12
  - External Channel Commands 16-2
    - BWLimit 16-3
    - INPut 16-4
    - PROBe 16-5
    - PROBe SKEW 16-18
    - RANGe 16-19
    - UNITs 16-20
  - External Commands
    - EADapter 16-7
    - PROBe ID? 16-17
  - EXTernal PROBe ID? 16-17
- F**
- FACTors 18-6
  - FAIL 20-4, 21-3
  - FAILures?
    - in MTESt COUNT command 23-18
  - fall time measurement setup 24-5
  - FALLtime 24-40
  - FFT Commands 24-5
  - FFTMagnitude 17-17
  - FFTPhase 17-18
  - FIELD
    - in TRIG ADV STV 30-63
  - filter, internal low-pass 11-3, 16-3
  - FOLDing 23-23
  - FOLDing:BITS 23-24
  - FORMat 31-41
    - and DATA 31-11
  - formatting query responses 28-2
  - fractional values 1-12
  - FREquency 24-49
    - in FUNCTION FFT command 17-12
    - in MEASure FFT command 24-44
  - frequency measurement setup 24-5
  - full-scale vertical axis 11-29
  - FUNction 17-4
  - function
    - and vertical scaling 17-31
    - time scale 17-3
  - Function Commands 17-2
    - ADD 17-6
    - AVERAge 17-7
  - COMMONmode 17-8
  - DIFF 17-9
  - DISPlay 17-10
  - DIVide 17-11
  - FFT FREquency 17-12
  - FFT REFERENCE 17-13
  - FFT RESolution 17-14
  - FFT WINDow 17-15
  - FFTMagnitude 17-17
  - FFTPhase 17-18
  - FUNction? 17-4
  - HORizontal POSition 17-20
  - HORizontal RANGe 17-21
  - INTEgrate 17-22
  - INVert 17-23
  - MAGNify 17-25
  - MAXimum 17-26, 17-27
  - MINimum 17-28
  - MULTiply 17-29
  - OFFSet 17-30
  - RANGe 17-31
  - SMOoth 17-32
  - SQRT 17-33
  - SQUare 17-34
  - SUBTract 17-35
  - VERSus 17-36
  - VERTical 17-37
  - functional elements of protocol 3-3
  - functions
    - and VIEW 31-57
    - combining in instructions 1-8
  - FWAVEforms?
    - in MTESt COUNT command 23-19
- G**
- GAIN 11-15, 16-12
  - gain and offset of a probe 10-4
  - gain factor for user-defined probe 11-15, 16-12
  - generating service request
    - sample program 7-14, 7-16, 7-17
  - GLITCh
    - trigger mode 30-21
  - glitch
    - trigger mode 30-20
  - GPIB
    - Interface Connector 2-3
  - GRATICule 15-11
  - HARDcopy AREA 18-3
  - Group Execute Trigger (GET) 2-13
- H**
- Halting bus activity 2-13
  - HAMPplitude 23-25
  - Hardcopy Commands 18-2
    - AREA 18-3
    - DPRinter 18-4
    - FACTors 18-6
    - IMAGe 18-7
    - PRINters? 18-8
  - hardcopy of the screen 18-2
  - hardcopy output and message
    - termination 3-4
  - HEADer 28-8, 28-10
  - header
    - stripped 7-11
    - within instruction 1-4
  - headers 1-4
    - types 1-7
  - Histogram Commands 19-2
    - AXIS 19-4
    - MODE 19-5
    - SCALE SIZE 19-6
    - WINDow DEFault 19-7
    - WINDow SOURce 19-8
    - WINDow X1Position/LLIMit 19-9
    - WINDow X2Position/RLIMit 19-10
    - WINDow Y1Position/TLIMit 19-11
    - WINDow Y2Position/BLIMit 19-12
  - HITS
    - in MEASure HISTogram command 24-51
  - HOLDoff
    - in TRIGger 30-9
  - HOLDtime 24-66
  - horizontal
    - functions, controlling 29-2
    - offset, and XOFFset 32-6
    - range, and XRANge 32-7
    - scaling and functions 17-2
  - HORizontal POSition 17-20
  - HORizontal RANGe 17-21
  - Host language 1-4
  - HP BASIC 5.0 1-2
  - HTHReshold 30-10
    - in TRIGger 30-36, 30-44
-

hue 15-18  
 HYSteresis  
   in TRIGger 30-11

**I**

\*IDN? (Identification Number) 12-9  
 IEEE 488.1 3-2  
   and IEEE 488.2 relationship 3-2  
 IEEE 488.2 3-2  
   compliance 3-2  
   conformity 1-2  
   Standard 1-2  
   Standard Status Data Structure  
     Model 4-2  
 IMAGe 18-7  
 image specifier, -K 28-14  
 image specifiers  
   and PREamble 31-48  
 IMPedance 23-26  
 impedance, input 11-5, 16-4  
 IMPedance?  
   in MTEST PROBE command 23-32  
 individual commands language 1-2  
 Infinity Representation 6-15  
 initialization 1-15  
   event status 4-2  
   IO routine 7-5  
   sample program 7-4  
 initializing oscilloscope  
   sample program 7-6, 7-15  
 INPut 11-5, 16-4  
 Input Buffer  
   Clearing 2-13  
 input buffer 3-3  
   default condition 3-4  
 input coupling  
   and COUpling? 31-9  
 instruction headers 1-4  
 Instrument Address  
   GPIB 2-7  
 instrument status 1-22  
 integer definition 1-12  
 INTEgrate 17-22  
 intensity 15-11  
 Interface  
   Capabilities 2-5  
   Clear (IFC) 2-13  
   GPIB Select Code 2-7

interface  
   functions 2-2  
 interface, initializing 1-15  
 internal low-pass filter 11-3, 16-3  
 INTErpolate 8-8  
 interpreting commands, parser 3-3  
 interrupted query 1-10, 1-19  
 Introduction to Programming 1-2  
 INVert 17-23, 23-28  
 inverting functions 17-23  
 ISCan  
   DELAy 20-3  
   EDGE 20-10  
   FAIL 20-4  
   HYSteresis 20-11, 20-13  
   LLEVel 20-14  
   MEASurement 20-6  
   MODE 20-9  
   SOURce 20-12  
   TEST 20-7  
   ULIMit 20-8

**J**

JITTer  
   in MEASure CGRade command  
     24-14  
 JITTer HISTogram 24-68  
 JITTer MEASurement 24-69  
 JITTer SPECTrum 24-70  
 JITTer SPECTrum HORIZontal 24-71  
 JITTer SPECTrum HORIZontal POSItion  
   24-72  
 JITTer SPECTrum HORIZontal RANGE  
   24-73  
 JITTer SPECTrum VERTical 24-74  
 JITTer SPECTrum VERTical OFFSet  
   24-75  
 JITTer SPECTrum VERTical RANGE  
   24-76  
 JITTer SPECTrum WINDow 24-77  
 JITTer STATistics 24-78  
 JITTer TRENd 24-79  
 JITTer TRENd SMOoth 24-80  
 JITTer TRENd SMOoth POINts 24-81  
 JITTer TRENd VERTical 24-82  
 JITTer TRENd VERTical OFFSet 24-21,  
   24-83  
 JITTer TRENd VERTical RANGE 24-84

**K**

-K 28-14

**L**

LAMPlitude 23-29  
 language for program examples 1-2  
 Learn (\*LRN) 12-10  
 learnstring block data 1-4  
 LEVel  
   in TRIG ADV COMM 30-28  
   in TRIGger 30-12  
 LEVels?  
   in DISPlay CGRade command 15-5  
 LF/HF reject, input 11-5, 16-4  
 LINE 15-14  
   in TRIG ADV STV 30-64  
 linefeed 1-13  
 List of Error Messages 33-9  
 Listener Code and Capability 2-5  
 Listeners, Unaddressing All 2-13  
 LLEVel 20-14  
 LLIMit 20-5, 21-4  
 LOAD 14-6, 23-30, 32-4  
 loading and saving 14-2  
 LOGic  
   and STATE 30-41  
   in TRIG ADV PATt 30-35  
   in TRIG ADV STATE 30-41  
 LONGform 28-11  
 long-form headers 1-11  
 lowercase 1-11  
   headers 1-11  
 low-pass filter, internal 11-3, 16-3  
 \*LRN (Learn) 12-10  
 \*LRN?  
   and SYSTEM SETUp? 28-14  
 LSBFirst, and BYTeorder 31-6  
 LTEST  
   FAIL 21-3  
   LLIMit 21-4  
   MEASurement 21-5  
   RESults? 21-6  
   TEST 21-7  
   ULIMit 21-8  
 LTHReshold 30-13  
 LTYPE  
   and STATE 30-42  
   in TRIG ADV STATE 30-42

luminosity 15-18

## M

### M1S

in MEASure HISTogram command  
24-53

### M2S

in MEASure HISTogram command  
24-55

### M3S

in MEASure HISTogram command  
24-57

MAGNify 17-25

MAGNitude

in MEASure FFT command 24-45

MAIN, and VIEW 31-57

making measurements 24-5

Marker Commands 22-2

CURSor? 22-3

MEASurement READout 22-4

MODE 22-5

TDELta? 22-6

TSTArt 22-7

TSTOp 22-9

VDELta? 22-11

VSTArt 22-12

VSTOp 22-14

X1Position 22-16

X1Y1source 22-18

X2Position 22-17

X2Y2source 22-19

XDELta? 22-20

Y1Position 22-21

Y2Position 22-22

YDELta? 22-23

Mask Test Commands 23-2

ALIGn 23-4

AlignFIT 23-5

AMASK CREate 23-7

AMASK SAVE|STORe 23-9

AMASK SOURce 23-8

AMASK UNITs 23-10

AMASK XDELta 23-11

AMASK YDELta 23-13

AUTO 23-15

AVERAge 23-16

AVERAge COUNT 23-17

COUNT FAILures? 23-18

COUNT FWAVEforms? 23-19

COUNT WAVEforms? 23-20

DELete 23-21

ENABLE 23-22

FOLDing 23-23

FOLDing:BITS 23-24

HAMPplitude 23-25

IMPedance 23-26

INVert 23-28

LAMPplitude 23-29

LOAD 23-30

NREGions? 23-31

PROBE IMPedance? 23-32

RUMode 23-33

RUMode SOFailure 23-35

SCALE

BIND 23-36

Y1 23-40

SCALE X1 23-37

SCALE XDELta 23-38

SCALE Y1 23-40

SCALE Y2 23-41

SOURce 23-42

START | STOP 23-43

STIME 23-44, 23-46

TITLE? 23-45

mask, Service Request Enable Register  
12-18

Master Summary Status (MSS)

and \*STB 12-20

Status Bit 4-4

MAV (Message Available) 4-4

bit 12-19, 12-21

MAX

in MEASure HISTogram command  
24-59

MAXimum 17-26, 17-27

MDIRectory 14-7

MEAN

in MEASure HISTogram command  
24-60

MEASure

RESults and statistics 24-113

Measure Commands 24-2

ABSolute 17-5

AREA 24-7

BWIDth 24-8

CGRade CROSSing 24-10

CGRade DCDistortion 24-11

CGRade EHEight 24-12

CGRade EWIDth 24-13

CGRade JITTer 24-14

CGRade QFACtor 24-15

CLEAr 24-16

CLOCK 24-17

CLOCK METHOd 24-18

CLOCK VERTical 24-20

CLOCK VERTical RANGE 24-22

CTCDutycycle 24-23

CTCJitter 24-25

CTCNwidth 24-27

CTCPwidth 24-28

DATarate 24-9, 24-29

DEFine 24-31

DELTatime 24-36

DUTYcycle 24-38

FALLtime 24-40

FFT DFRequency 24-42

FFT DMAGnitude 24-43

FFT FREQuency 24-44

FFT MAGNitude 24-45

FFT PEAK1 24-46

FFT PEAK2 24-47

FFT THReshold 24-48

FREQuency 24-49

HISTogram HTS 24-51

HISTogram M1S 24-53

HISTogram M2S 24-55

HISTogram M3S 24-57

HISTogram MAX 24-59

HISTogram MEAN 24-60

HISTogram MEDian 24-61

HISTogram MIN 24-62

HISTogram PEAK 24-63

HISTogram PP 24-64

HOLDtime 24-66

JITTer HISTogram 24-68

JITTer MEASurement 24-69

JITTer SPECtrum 24-70

JITTer SPECtrum HORIZontal 24-71

JITTer SPECtrum HORIZontal

POSITION 24-72

JITTer SPECtrum HORIZontal

RANGE 24-73

JITTer SPECtrum VERTical 24-74

JITTer SPECtrum VERTical OFFSet

24-75  
 JITTER SPECTrum VERTical RANGE 24-76  
 JITTER SPECTrum WINDow 24-77  
 JITTER STATistics 24-78  
 JITTER TRENd 24-79  
 JITTER TRENd SMOOth 24-80  
 JITTER TRENd SMOOth POINts 24-81  
 JITTER TRENd VERTical 24-82  
 JITTER TRENd VERTical OFFSet 24-21, 24-83  
 JITTER TRENd VERTical RANGE 24-84  
 NCJitter 24-85  
 NWIDTH 24-87  
 OVERshoot 24-89  
 PERiod 24-91  
 PHASe 24-93  
 PREShoot 24-95  
 PWIDTH 24-97  
 QUALifier CONDition 24-99  
 QUALifier SOURce 24-100  
 QUALifier STATE 24-101  
 RESults? 24-102  
 RISetime 24-105  
 SCRatch 24-107  
 SENDvalid 24-108  
 SETuptime 24-109  
 SLEWrate 24-111  
 SOURce 24-112  
 STATistics 24-113  
 TEDGe 24-114  
 TIEClock2 24-116  
 TIEData 24-118  
 TMAX 24-120  
 TMIN 24-121  
 TVOLT 24-122  
 UNITinterval 24-124  
 VAMPitude 24-126  
 VAverage 24-127  
 VBASE 24-129  
 VLOWer 24-130  
 VMAX 24-131  
 VMIDdle 24-132  
 VMIN 24-133  
 VPP 24-134  
 VRMS 24-135

VTIME 24-137  
 VTOP 24-138  
 VUPPer 24-139  
 MEASurement 20-6, 21-5  
 LLIMit 20-5  
 measurement  
 error 24-5  
 readout 22-4  
 setup 24-5  
 source 24-112  
 MEDian  
 in MEASure HISTogram command 24-61  
 memories, and VIEW 31-57  
 message  
 queue 4-19  
 termination with hardcopy 3-4  
 Message (MSG), Status Bit 4-4  
 Message Available (MAV) and \*OPC 12-12  
 Status Bit 4-4  
 Message Communications and System Functions 3-2  
 Message Event Register 4-10  
 message exchange protocols of IEEE 488.2 3-3  
 MIN 17-28  
 in MEASure HISTogram command 24-62  
 Mnemonic Truncation 6-3  
 MODE 8-9, 19-5, 20-9, 20-19, 22-5  
 in TRIGger MODE 30-6, 30-8  
 MODel? 26-16  
 monitoring events 4-2  
 MPROtect 10-6  
 MSBFirst, and BYTeorder 31-6  
 MSG  
 bit in the status register 4-10  
 MSG bit 12-19, 12-21  
 MSS bit and \*STB 12-20  
 MTEE 26-14  
 MTER? 26-15  
 multiple  
 program commands 1-14  
 queries 1-22  
 subsystems 1-14  
 Multiple numeric variables 1-22  
 MULTiply 17-29

**N**  
 NCJitter 24-85  
 NL (New Line) 1-13  
 NONMonotonic  
 EDGE 20-10  
 HYSTeresis 20-11  
 SOURce 20-12  
 NREGions? 23-31  
 NTSC TV trigger mode 30-61  
 numeric  
 program data 1-12  
 variable example 1-20  
 variables 1-20  
 NWIDTH 24-87

**O**  
 OFFSet 11-6, 11-17, 17-30  
 offset and gain of a probe 10-4  
 \*OPC (Operation Complete) 12-12  
 OPC bit 12-6, 12-8  
 OPEE 26-17  
 OPER bit 12-19, 12-21  
 OPER query 26-18  
 operands and time scale 17-3  
 operating the disk 14-2  
 Operation Complete (\*OPC) 12-12  
 Status Bit 4-4  
 operation status 4-2  
 \*OPT (Option) 12-13  
 Options, Program Headers 1-11  
 order of commands and execution 3-4  
 oscilloscope  
 trigger modes and commands 30-6  
 Oscilloscope Default GPIB Address 2-7  
 OUTPut 10-6  
 output buffer 1-10, 1-19  
 Output Command 1-4  
 Output Queue  
 Clearing 2-13  
 output queue 1-10, 4-18  
 default condition 3-4  
 definition 3-3  
 OUTPUT statement 1-3  
 overlapped and sequential commands 6-15  
 OVERshoot 24-89  
 OVLenable 26-19  
 OVLRegister query 26-20



**P**

PAL-M TV trigger mode 30-61  
 Parallel Poll Code and Capability 2-5  
 parametric measurements 24-2  
 Parser  
   Resetting 2-13  
 parser 1-15, 3-3  
   default condition 3-4  
   definition 3-3  
 passing values across the bus 1-10  
 passive probes and calibration 10-4  
 PATTern 20-17  
   in TRIG ADV COMM 30-29  
 PDETECT 8-9  
 PEAK  
   in MEASure HISTogram command 24-63  
 PEAK1  
   in MEASure FFT command 24-46  
 PEAK2  
   in MEASure FFT command 24-47  
 peak-to-peak voltage, and VPP 24-134  
 Pending Commands, Clearing 2-13  
 PERiod 24-91  
 period measurement setup 24-5  
 PERSistence 15-15  
 PGTHan  
   in TRIG ADV UDTV 30-70  
 PHASe 24-93  
 PLACement 20-20  
 POINTs 8-11  
 POINTs AUTO 8-21  
 POINTs query 31-44  
 POLarity  
   and GLITCh 30-22  
   in TRIG ADV COMM 30-30  
   in TRIG ADV UDTV 30-71  
   in TRIGger GLITCh 30-22  
 PON bit 12-8  
 POSITION 29-3  
 position  
   and WINDow POSITION 29-11  
 pound sign (#) and block data 1-21  
 Power On (PON) status bit 4-3, 12-6  
 Power-up Condition 2-4  
 PP  
   in MEASure HISTogram command 24-64

PREamble 31-45  
   and DATA 31-11  
 PRESHoot 24-95  
 PRINT 26-21  
 PRINters? 18-8  
 printing  
   specific screen data 18-3  
   the screen 18-2  
 PROBe 11-7, 16-5  
 PROBe ATTenuation 11-9, 16-6  
 probe attenuation factor 10-4  
 Probe Calibration 10-4  
 PROBe EXTernal 11-14, 16-11  
 PROBe EXTernal GAIN 11-15, 16-12  
 PROBe EXTernal OFFSet 11-17  
 PROBe EXTernal UNITs 11-19, 16-14  
 PROBe GAIN 11-21, 16-16  
 PROBe SKEW 11-27, 16-18  
 PROBe STYpe 11-28  
 program data 1-6  
 Program example 1-16  
 Program Header Options 1-11  
 program message terminator 1-13  
 program overview  
   initialization example 1-16  
 programming basics 1-2  
 Programming Conventions 6-2  
 programming examples language 1-2  
 Programming Getting Started 1-14  
 protocol  
   exceptions and operation 3-4  
 \*PSC (Power-on Status Clear) 12-14  
 pulse width measurement setup 24-5  
 pulse width violation mode 30-75  
 PWD? 14-12  
 PWidth 24-97

**Q**

QFACTOR  
   in MEASure CGRade command 24-15  
 Query  
   \*SRE? 12-18  
 QUALifier  
   CONDition 24-99  
   SOURce 24-100  
   STATe 24-101  
 quantization levels 7-12

## Query 1-4, 1-10

\*ESE? (Event Status Enable) 12-5  
 \*ESR? (Event Status Register) 12-7  
 \*STB? (Status Byte) 12-20  
 AER? 26-4, 26-5  
 AREA? 18-3  
 ATER? 26-6  
 AVERAge? 8-3  
 BANDpass? 31-5  
 BWLimit? 11-3, 16-3  
 BYTeorder? 31-6  
 CHANnel PROBE ID? 11-25  
 COLumn? 15-7  
 COMpLETE STATE? 8-7  
 COMpLETE? 8-6, 31-7  
 CONNect? 15-8  
 COUNT? 8-4, 23-17, 31-8  
 COUPLing? 31-9  
 CURSor? 22-3  
 DATA? 15-9, 31-10  
 DATE? 28-3  
 DEBUg? 28-5  
 DELay? 20-3  
 DELTatime? 24-37  
 DIRectory? 14-5  
 DISPlay? 11-4, 11-14, 16-11, 17-10, 32-3  
 DPRinter? 18-5  
 DSP? 28-6  
 DUTYcycle? 24-39  
 EADapter? 11-11  
 ECoUPLing? 11-13, 16-10  
 EDGE 20-10  
 ERRor? 28-7  
 EXT INPut? 16-4  
 EXT PROBe ATTenuation? 16-6  
 EXT PROBe EADapter? 16-8  
 EXT PROBe ID? 16-17  
 EXT PROBe SKEW? 16-18  
 EXT PROBe? 16-5  
 EXT RANGe? 16-19  
 EXT UNITs? 16-20  
 FACTors? 18-6  
 FAIL? 20-4, 21-3  
 FALLtime? 24-41  
 FFT RESolution? 17-14  
 FORMat? 31-43  
 FREQuency? 24-50

- 
- FUNCTION? 17-4
  - GRATICule? 15-12, 15-13
  - HEADer 28-8, 28-10
  - HORizontal POSition? 17-20
  - HORizontal RANGe? 17-21
  - HYSTeresis 20-11, 20-13
  - Identification Number (\*IDN?) 12-9
  - IMAGe? 18-7
  - INPut? 11-5
  - INTerpolate? 8-8
  - Learn (\*LRN?) 12-10
  - LLEVel? 20-14
  - LLIMit? 20-5, 21-4
  - LONGform? 28-11
  - MEASure FALLtime? 24-41
  - MEASure FFT DFRequency? 24-42
  - MEASure FFT DMAGnitude? 24-43
  - MEASure FFT FREQuency? 24-44
  - MEASure FFT MAGNitude? 24-45
  - MEASure FFT PEAK1? 24-46
  - MEASure FFT PEAK2? 24-47
  - MEASure FFT THReshold? 24-48
  - MEASurement 20-6, 21-5
  - MODE 20-9, 20-19
  - MODE? 8-10, 22-5
  - MODEl? 26-16
  - MTEE? 26-14
  - MTER? 26-15
  - NWIDth? 24-88
  - OFFSet? 11-6, 11-18, 17-30
  - Option (\*OPT?) 12-13
  - OUTPut? 10-6
  - OVERshoot? 24-90
  - PATtern 20-17
  - PERiod? 24-92
  - PERSistence? 15-15
  - PHASe? 24-94
  - PLACement 20-20
  - POINts AUTO? 8-21
  - POINts? 8-20, 31-44
  - POSition? 29-3
  - Power-on Status Clear (\*PSC?) 12-14
  - PREamble? 31-45
  - PREShoot? 24-96
  - PRINters? 18-8
  - PROBe ATTenuation? 11-9
  - PROBe GAIN? 11-16, 11-21, 11-22, 11-23, 11-24, 16-13, 16-16
  - PROBe MODE? 11-28
  - PROBe SKEW? 11-27
  - PROBe? 11-8
  - PWD? 14-12
  - PWIDth? 24-98
  - QUALifier CONDition 24-99
  - QUALifier SOURce? 24-100
  - QUALifier STATe? 24-101
  - RANGe? 11-29, 17-31, 29-4
  - REFerence? 29-5
  - RESults 21-6
  - RESults? 24-102
  - RISetime? 24-106
  - ROLL 29-6
  - ROW? 15-16
  - SCALe? 11-30, 29-7
  - SCOLor? 15-19
  - SCOPETEST? 27-4
  - SENDvalid? 24-108
  - SETup? 28-13
  - SETuptime? 24-67, 24-110
  - SKEW? 10-7
  - SLEWrate? 24-111
  - SOURce 20-12, 20-15, 20-18, 20-21
  - SOURce? 24-112, 31-54
  - SRATe AUTO? 8-27
  - SRATe? 8-26
  - STATe 20-22
  - STATistics? 24-113
  - Status Byte (\*STB) 12-20
  - STATus? 10-8
  - TDELta? 22-6
  - TEDGE? 24-115
  - TER? 26-30
  - Test (\*TST?) 12-23
  - TEST? 20-7, 21-7
  - TMAX? 24-120
  - TMIN? 24-121
  - TRIG ADV COMM BWID? 30-26
  - TRIG ADV COMM ENCode? 30-27
  - TRIG ADV COMM LEVel? 30-28
  - TRIG ADV COMM PATtern? 30-29
  - TRIG ADV COMM POLarity? 30-30
  - TRIG ADV COMM SOURce? 30-31
  - TRIG ADV EDLY ARM SLOPe? 30-48
  - TRIG ADV EDLY ARM SOURce 30-47
  - TRIG ADV EDLY EVENT DELay? 30-49
  - TRIG ADV EDLY EVENT SLOPe? 30-51
  - TRIG ADV EDLY EVENT SOURce? 30-50
  - TRIG ADV EDLY TRIG SLOPe? 30-53
  - TRIG ADV EDLY TRIG SOURce? 30-52
  - TRIG ADV PATT COND? 30-34
  - TRIG ADV PATT LOGic? 30-35
  - TRIG ADV STATe CLOCK? 30-40
  - TRIG ADV STATe LOGic? 30-41
  - TRIG ADV STATe LTYPe? 30-42
  - TRIG ADV STATe SLOPe? 30-43
  - TRIG ADV STV FIEld? 30-63
  - TRIG ADV STV LINE? 30-64
  - TRIG ADV STV SOURce? 30-65
  - TRIG ADV STV SPOLarity? 30-66
  - TRIG ADV TDLY ARM SLOPe? 30-57
  - TRIG ADV TDLY ARM SOURce? 30-56
  - TRIG ADV TDLY DELay? 30-58
  - TRIG ADV TDLY TRIG SLOPe? 30-60
  - TRIG ADV TDLY TRIG SOURce? 30-59
  - TRIG ADV UDTV ENUMber? 30-69
  - TRIG ADV UDTV PGTHan? 30-70
  - TRIG ADV UDTV POLarity? 30-71
  - TRIG ADV UDTV SOURce? 30-72
  - TRIG ADV VIOL MODE? 30-74
  - TRIG ADV VIOL PWID DIR? 30-77
  - TRIG ADV VIOL PWID POL? 30-78
  - TRIG ADV VIOL PWID WIDT? 30-80
  - TRIG ADV VIOL PWIDth? 30-79
  - TRIG ADV VIOL SET HOLD CSO EDGE? 30-94
  - TRIG ADV VIOL SET HOLD CSO LEV? 30-93
  - TRIG ADV VIOL SET HOLD CSO? 30-92
  - TRIG ADV VIOL SET HOLD DSO HTHR? 30-96
  - TRIG ADV VIOL SET HOLD DSO LTHR? 30-97
  - TRIG ADV VIOL SET HOLD DSO?

- 
- 30-95
  - TRIG ADV VIOL SET HOLD TIME? 30-98
  - TRIG ADV VIOL SET MODE? 30-84
  - TRIG ADV VIOL SET SET CSO EDGE? 30-87
  - TRIG ADV VIOL SET SET CSO LEV? 30-86
  - TRIG ADV VIOL SET SET CSO? 30-85
  - TRIG ADV VIOL SET SET DSO HTHR? 30-89
  - TRIG ADV VIOL SET SET DSO LTHR? 30-90
  - TRIG ADV VIOL SET SET DSO? 30-88
  - TRIG ADV VIOL SET SET TIME? 30-91
  - TRIG ADV VIOL SET SHOL CSO EDGE? 30-101
  - TRIG ADV VIOL SET SHOL CSO LEV? 30-100
  - TRIG ADV VIOL SET SHOL CSO? 30-99
  - TRIG ADV VIOL SET SHOL DSO HTHR? 30-103
  - TRIG ADV VIOL SET SHOL DSO LTHR? 30-104
  - TRIG ADV VIOL SET SHOL DSO? 30-102
  - TRIG ADV VIOL SET SHOL HTIME? 30-106
  - TRIG ADV VIOL SET SHOL STIME? 30-105
  - TRIG ADV VIOL TRAN SOUR HTHR? 30-111
  - TRIG ADV VIOL TRAN SOUR LTHR? 30-112
  - TRIG ADV VIOL TRAN SOUR? 30-110
  - TRIG ADV VIOL TRAN TYPE? 30-113
  - TRIG ADV VIOL TRAN? 30-109
  - TRIG EDGE COUPLing? 30-17
  - TRIG EDGE SLOPe? 30-18
  - TRIG EDGE SOURce? 30-19
  - TRIG GLITCh POLarity? 30-22
  - TRIG GLITCh SOURce? 30-23
  - TRIG HOLDOff? 30-9
  - TRIG HTHR? 30-10
  - TRIG HYSTeresis? 30-11
  - TRIG LEVel? 30-12, 30-36, 30-44
  - TRIG LTHR? 30-13
  - TRIG SWEep? 30-14
  - TRIGger GLITCh WIDTh? 30-24
  - TRIGger MODE? 30-8
  - TSTArt? 22-7
  - TSTOp? 22-10
  - TVOLT? 24-122
  - TYPE? 31-55
  - ULEVel? 20-16
  - ULIMit? 20-8, 21-8
  - UNITs? 11-20, 11-31, 16-15
  - VAMPlitude? 24-126
  - VAVerage? 24-128
  - VBASe? 24-129
  - VDELta? 22-11
  - VIEW? 29-8, 31-58
  - VLOWer? 24-130
  - VMAX? 24-131
  - VMIDdle? 24-132
  - VMIN? 24-133
  - VPP? 24-134
  - VRMS? 24-136
  - VSTArt? 22-12
  - VSTOp? 22-14
  - VTIME? 24-137
  - VTOP? 24-138
  - VUPPer? 24-139
  - WAVeform SEGMedent COUNT? 31-51
  - WAVeform SEGMedent TTAG? 31-52
  - WINDow DELay? 29-10
  - WINDow POSition? 29-11
  - WINDow RANGE? 29-12
  - WINDow SCALE? 29-13
  - X1Position? 22-16
  - X1Y1source? 22-18
  - X2Position? 22-17
  - X2Y2source? 22-19
  - XDELta? 22-20
  - XDISPlay? 31-59
  - XINcrement? 31-60
  - XOFFset? 32-6
  - XORigin? 31-61
  - XRANge? 31-62, 32-7
  - XREFerence? 31-63
  - XUNits? 31-64
  - Y1Position? 22-21
  - YDELta? 22-23
  - YDISPlay? 31-65
  - YINcrement? 31-66
  - YOFFset? 32-8
  - YORigin? 31-67
  - YRANge? 31-68, 32-9
  - YREFerence? 31-69
  - YUNits? 31-70
  - query
    - headers 1-10
    - interrupt 1-10
    - response 1-19
    - responses, formatting 28-2
  - Query Error 33-8
    - QYE Status Bit 4-3
  - query interrupt 1-19
  - question mark 1-10
  - queue, output 1-10
  - quoted strings 15-14
  - quotes, with embedded strings 1-13
  - QYE bit 12-6, 12-8
- R**
- RANGe 11-29, 16-19, 17-31, 29-4
  - range
    - and WINDow RANGe 29-12
  - \*RCL (Recall) 12-15
  - README file
    - for sample programs 7-18
  - real number definition 1-12
  - real time mode 8-9
    - and interpolation 8-8
  - RECall 26-22
  - Receiving Common Commands 12-3
  - Receiving Information from the Instrument 1-19
  - REFerence 29-5
    - in FUNCTION FFT command 17-13
  - register
    - save/recall 12-15, 12-17
    - Standard Event Status Enable 4-12
  - reliability of measured data 4-2
  - Remote Local Code and Capability 2-5
  - remote programming basics 1-2
-

- 
- REPetitive 8-9
  - Repetitive Strain Injury 5-2
    - Description 5-3
    - Using the Mouse 5-5, 5-6
  - representation of infinity 6-15
  - Request Control (RQC)
    - Status Bit 4-3
  - Request Service (RQS)
    - Default 2-4
    - status bit 4-4
  - Reset (\*RST) 12-16
  - Resetting the Parser 2-13
  - RESolution
    - in FUNction FFT command 17-14
  - response
    - data 1-21
    - generation 6-15
  - responses, buffered 6-15
  - result state code, and SENDvalid 24-108
  - RESults? 21-6, 24-102
  - Returning control to system computer 2-13
  - rise time measurement setup 24-5
  - RISetime 24-105
  - RMS voltage, and VRMS 24-135
  - ROLL 29-6
  - Root level command
    - MTEE 26-14
  - Root level commands 26-2
    - AER? 26-4, 26-5
    - ATER? 26-6
    - AUToscale 26-7
    - BLANK 26-8
    - CDISplay 26-9
    - DIGitize 26-10
    - DISable 26-12
    - ENABle 26-13
    - MODEl? 26-16
    - OPEE 26-17
    - OPER? 26-18
    - OVLenable 26-19
    - OVLenable? 26-19
    - OVLRegister? 26-20
    - PRINT 26-21
    - RECall 26-22
    - RUN 26-23
    - SERial 26-24
    - SINGLE 26-25
    - STOP 26-27
    - STORE 26-28
    - STORE WAVEform 26-29
    - TER? 26-30
    - VIEW 26-31
  - ROW 15-16
  - RQC (Request Control) 4-3
    - bit 12-6, 12-8
  - RQS (Request Service) 4-4
    - and \*STB 12-20
    - Default 2-4
  - RQS/MSS bit 12-21
  - RSI
    - Description 5-3
    - Introduction 5-2
    - Using the Mouse 5-5, 5-6
  - \*RST (Reset) 7-15, 12-16
  - RTIME 8-9
  - rule of truncation 6-3
  - rules of traversal 6-5
  - RUMode 23-33
  - RUN 26-23
    - and GET relationship 2-13
  - RUNT
    - HYSTEResis 20-13
    - PATtern 20-17
    - SOURce 20-15
    - ULEVel 20-16
- S**
- sample programs 7-2
    - segments 7-3
  - sample rate 8-25
  - sampling mode 8-9
  - saturation 15-18
  - \*SAV (Save) 12-17
  - SAVE 32-5
  - save/recall register 12-15, 12-17
  - SAVE:IMAGE 14-13
  - SAVE:LISTing 14-14
  - SAVE:MEASurements 14-15
  - SAVE:SETup 14-16
  - SAVE:WAVEform 14-17
  - SAVE:STORE
    - in MTESt AMASk command 23-9
  - saving and loading 14-2
  - SCALE 11-30, 29-7
    - Y1 23-40
  - SCOLor 15-17
  - SCOPETEST
    - in self-test commands 27-4
  - SCRatch 24-107
  - SCReen
    - HARDcopy AREA 18-3
  - SEGmented 14-43
  - COUNT? 31-51
  - TTAG? 31-52
  - segments of sample programs 7-3
  - Selected Device Clear (SDC) 2-13
  - Selecting Multiple Subsystems 1-14
  - self test 12-23
  - Self-Test Commands 27-2
    - CANcel 27-3
    - SCOPETEST 27-4
  - semicolon usage 1-8
  - sending compound queries 3-4
  - SENDvalid 24-108
  - separator 1-5
  - Sequential and Overlapped Commands 6-15
  - SERial
    - SOURce 20-18
  - SERial (SERial number) 26-24
  - Serial Poll
    - Disabling 2-13
  - serial poll
    - (SPOLL) in example 4-9
    - of the Status Byte Register 4-9
  - serial prefix, reading 12-9
  - Service Request
    - Code and Capability 2-5
    - sample program 7-14
  - Service Request Enable (\*SRE) 12-18
    - Register (SRE) 4-10
    - Register Bits 12-19
    - Register Default 2-4
  - setting
    - bits in the Service Request Enable Register 4-10
    - Standard Event Status Enable Register bits 4-12
    - time and date 28-15
    - TRG bit 4-10
    - voltage and time markers 22-2
  - setting up

- 
- for programming 1-14
  - service request 7-16
  - the instrument 1-15
  - SETup 28-13
  - setup recall 12-15
  - setup violation mode 30-81
  - setup, storing 14-44
  - SETuptime 24-109
  - Short form 1-11
  - short-form headers 1-11
  - short-form mnemonics 6-3
  - simple command header 1-7
  - SINGLE 26-25
  - SIZE
    - in HISTogram SCALE command 19-6
  - SKEW, in CALibrate command 10-7
  - SLEWrate 24-111
  - SLOPe
    - and STATE 30-43
    - in TRIG ADV EDLY ARM 30-48
    - in TRIG ADV EDLY EVENT 30-51
    - in TRIG ADV EDLY TRIGger 30-53
    - in TRIG ADV STATE 30-43
    - in TRIG ADV TDLY ARM 30-57
    - in TRIG ADV TDLY TRIGger 30-60
    - in TRIGger EDGE 30-18
  - SMOoth 17-32
  - SOFailure
    - in MTEST RUMode command 23-35
  - software version, reading 12-9
  - SOURce 20-15, 20-18, 20-21, 23-42, 24-112, 31-53
  - and GLITch 30-23
  - and measurements 24-6
  - in HISTogram WINDOW command 19-8
  - in MTEST AMASK command 23-8
  - in TRIG ADV COMM 30-31
  - in TRIG ADV EDLY ARM 30-47
  - in TRIG ADV EDLY EVENT 30-50
  - in TRIG ADV EDLY TRIGger 30-52
  - in TRIG ADV STV 30-65
  - in TRIG ADV TDLY ARM 30-56
  - in TRIG ADV TDLY TRIGger 30-59
  - in TRIG ADV UDTV 30-72
  - in TRIGger EDGE 30-19
  - in TRIGger GLITch 30-23
- spaces and commas 1-6
- spelling of headers 1-11
  - SPOLarity
    - in TRIG ADV STV 30-66
  - SPOLL example 4-9
  - SQRT 17-33
  - SQUare 17-34
  - Square Brackets 1-5
  - SRATE 8-25
  - \*SRE (Service Request Enable) 12-18
  - SRE (Service Request Enable Register) 4-10
  - SSAVer 15-20
  - Standard Event Status Enable Register (SESER) 4-12
    - Bits 12-6
    - Default 2-4
  - Standard Event Status Register
    - bits 12-8
  - Standard Event Status Register (ESR) 4-11
  - Standard Status Data Structure Model 4-2
  - STARt | STOP 23-43
  - STATE 20-22
  - STATistics 24-113
  - status 1-22
    - of an operation 4-2
  - Status Byte
    - (\*STB) 12-20
  - Status Byte Register 4-8, 4-9
    - and serial polling 4-9
    - bits 12-21
  - Status Registers 1-22, 12-3
  - Status Reporting 4-2
    - Bit Definitions 4-3
    - Data Structures 4-5
  - Status Reporting Decision Chart 4-20
  - STATus, in CALibrate command 10-8
  - \*STB (Status Byte) 12-20
  - STIME 23-44, 23-46
  - STOP 26-27
  - STORE 14-8, 14-44, 26-28
  - STORE WAVEform 26-29
  - storing waveform
    - sample program 7-13
  - STRing 15-20
  - string variables 1-20
    - example 1-20
  - string, quoted 15-14
  - strings, alphanumeric 1-11
  - STV commands 30-62
  - SUBTract 17-35
  - suffix multipliers 1-12, 3-5
  - suffix units 3-5
  - summary bits 4-8
  - SWEep
    - in TRIGger 30-14
  - syntax error 33-5
  - SYSTEM
    - SETup and \*LRN 12-11
  - System Commands 28-2
    - DATE 28-3
    - DEBUg 28-4
    - DSP 28-6
    - ERRor? 28-7
    - HEADer 28-8, 28-10
    - LONGform 28-11
    - SETup 28-13
    - TIME 28-15
  - System Computer
    - Returning control to 2-13
- T**
- Talker
    - Code and Capability 2-5
    - Unaddressing 2-13
  - TDELta? 22-6
  - TEDGE
    - in MEASure command 24-114
  - temperature and calibration 10-3
  - TER? (Trigger Event Register) 26-30
  - termination of message during hardcopy 3-4
  - Terminator 1-13
  - TEST 20-7, 21-7
  - Test (\*TST) 12-23
  - TEXT 15-21
  - THRESHold
    - in MEASure FFT command 24-48
  - THRESHold, and DEFine 24-31, 24-33
  - TIEclock2 24-116
  - TIEData 24-118
  - TIME 28-15
  - time and date, setting 28-2
  - Time Base Commands 29-2
    - POSITION 29-3
-

- 
- RANGe 29-4
  - REFeRence 29-5
  - ROLL 29-6
  - SCALE 29-7
  - VIEW 29-8
  - WINDow DELay 29-9
  - WINDow RANGe 29-12
  - time buckets
    - and POINTs? 31-44
  - time difference between markers 22-6
  - time information
    - of waveform 7-13
  - time scale
    - operands and functions 17-3
  - TITLe? 23-45
  - TMAX 24-120
  - TMIN 24-121
  - TOPBase, and DEFine 24-31, 24-34
  - transferring waveform data 31-2
    - sample program 7-10
  - transition violation mode 30-107
  - transmission mode
    - and FORMat 31-41
  - traversal rules 6-5
  - Tree Traversal
    - Examples 6-14
    - Rules 6-5
  - \*TRG (Trigger) 12-22
  - TRG
    - bit 12-19, 12-21
    - bit in the status byte 4-10
    - Event Enable Register 4-4
  - Trigger
    - (\*TRG) 12-22
    - \*TRG status bit 4-4
  - Trigger Commands 30-2
    - PATtern THReshold LEVel 30-36, 30-44
    - TRIG ADV COMM BWID 30-26
    - TRIG ADV COMM ENCode 30-27
    - TRIG ADV COMM LEVEl 30-28
    - TRIG ADV COMM PATTern 30-29
    - TRIG ADV COMM POLarity 30-30
    - TRIG ADV COMM SOURce 30-31
    - TRIG ADV EDLY ARM SLOPe 30-48
    - TRIG ADV EDLY ARM SOURce 30-47
    - TRIG ADV EDLY EVENT DELay 30-49
    - TRIG ADV EDLY EVENT SLOPe 30-51
    - TRIG ADV EDLY EVENT SOURce 30-50
    - TRIG ADV EDLY TRIG SLOPe 30-53
    - TRIG ADV EDLY TRIG SOURce 30-52
    - TRIG ADV PATT CONDition 30-34
    - TRIG ADV PATT LOGic 30-35
    - TRIG ADV STATe CLOcK 30-40
    - TRIG ADV STATe LOGic 30-41
    - TRIG ADV STATe LTYPe 30-42
    - TRIG ADV STATe SLOPe 30-43
    - TRIG ADV STV FIEld 30-63
    - TRIG ADV STV LINE 30-64
    - TRIG ADV STV SOURce 30-65
    - TRIG ADV STV SPOLarity 30-66
    - TRIG ADV TDLY ARM SLOPe 30-57
    - TRIG ADV TDLY ARM SOURce 30-56
    - TRIG ADV TDLY DELay 30-58
    - TRIG ADV TDLY TRIG SLOPe 30-60
    - TRIG ADV TDLY TRIG SOURce 30-59
    - TRIG ADV UDTV ENUMber 30-69
    - TRIG ADV UDTV PGTHan 30-70
    - TRIG ADV UDTV POLarity 30-71
    - TRIG ADV UDTV SOURce 30-72
    - TRIG ADV VIOL MODE 30-74
    - TRIG ADV VIOL PWID DIR 30-77
    - TRIG ADV VIOL PWID POL 30-78
    - TRIG ADV VIOL PWID WIDT 30-80
    - TRIG ADV VIOL PWIDTH 30-79
    - TRIG ADV VIOL SET HOLD CSO 30-92
    - TRIG ADV VIOL SET HOLD CSO EDGE 30-94
    - TRIG ADV VIOL SET HOLD CSO LEV 30-93
    - TRIG ADV VIOL SET HOLD DSO 30-95
    - TRIG ADV VIOL SET HOLD DSO HTHR 30-96
    - TRIG ADV VIOL SET HOLD DSO LTHR 30-97
    - TRIG ADV VIOL SET HOLD TIME 30-98
    - TRIG ADV VIOL SET MODE 30-84
    - TRIG ADV VIOL SET SET CSO 30-85
    - TRIG ADV VIOL SET SET CSO EDGE 30-87
    - TRIG ADV VIOL SET SET CSO LEV 30-86
    - TRIG ADV VIOL SET SET DSO 30-88
    - TRIG ADV VIOL SET SET DSO HTHR 30-89
    - TRIG ADV VIOL SET SET DSO LTHR 30-90
    - TRIG ADV VIOL SET SET TIME? 30-91
    - TRIG ADV VIOL SET SHOL CSO 30-99
    - TRIG ADV VIOL SET SHOL CSO EDGE 30-101
    - TRIG ADV VIOL SET SHOL CSO LEV 30-100
    - TRIG ADV VIOL SET SHOL DSO 30-102
    - TRIG ADV VIOL SET SHOL DSO HTHR 30-103
    - TRIG ADV VIOL SET SHOL DSO LTHR 30-104
    - TRIG ADV VIOL SET SHOL HTIME 30-106
    - TRIG ADV VIOL SET SHOL STIME 30-105
    - TRIG ADV VIOL TRAN 30-109
    - TRIG ADV VIOL TRAN SOUR 30-110
    - TRIG ADV VIOL TRAN SOUR HTHR 30-111
    - TRIG ADV VIOL TRAN SOUR LTHR 30-112
    - TRIG ADV VIOL TRAN TYPE 30-113
    - TRIG EDGE COUPLing 30-17
    - TRIG EDGE SLOPe 30-18
    - TRIG EDGE SOURce 30-19
    - TRIG GLITCh POLarity 30-22
    - TRIG GLITCh SOURce 30-23
    - TRIG GLITCh WIDTh 30-24
    - TRIG HOLDOff 30-9
    - TRIG HTHR 30-10
    - TRIG HYSTeresis 30-11
    - TRIG LEVEl 30-12
    - TRIG LTHR 30-13
    - TRIG SWEp 30-14

- 
- TRIGger MODE 30-8
  - TRIGger EDGE SLOPe 30-15
  - TRIGger EDGE SOURce 30-15
  - Trigger Event Register (TRG) 4-10
  - trigger mode 30-6
    - ADVanced 30-6
    - advanced delay 30-45, 30-54
    - advanced TV 30-61, 30-67
    - COMM 30-25
    - delay 30-46, 30-55
    - EDGE 30-15
    - GLITCh 30-20, 30-21
    - NTSC TV 30-61
    - PAL-M TV 30-61
    - pattern 30-33
    - state 30-39
    - User Defined TV 30-67
    - valid commands 30-7
    - violation types 30-73
  - triggering
    - for User Defined TV mode 30-68
  - truncating numbers 1-12
  - Truncation Rule 6-3
  - \*TST (Test) 12-23
  - TSTArt 22-7
  - TSTOp 22-9
  - TVOLt 24-122
  - TYPE query 31-55
- U**
- UDTV commands 30-67
  - ULEVel 20-16
  - ULIMit 20-8, 21-8
  - Unaddressing all listeners 2-13
  - UNITinterval 24-124
  - UNITs 11-19, 11-31, 16-14, 16-20
    - in MTEST AMASK command 23-10
  - units, vertical 11-19, 11-31, 16-14, 16-20
  - UNKnown vertical units 11-19, 11-31, 16-14, 16-20
  - uppercase 1-11
    - headers 1-11
    - letters and responses 1-11
  - URQ bit (User Request) 12-5
  - User Request (URQ) status bit 4-3
  - User Request Bit (URQ) 12-5
  - User-Defined Measurements 24-5
  - Using the Digitize Command 1-17
  - USR bit 12-19, 12-21
- V**
- VAMplitude 24-126
  - VAVerage 24-127
  - VBASe 24-129
  - VDELta? 22-11
  - version of software, reading 12-9
  - VERSus 17-36
  - VERTical 17-37
  - vertical
    - axis control 11-2, 16-2
    - axis offset, and YRANge 32-8
    - scaling and functions 17-2
    - scaling, and YRANge 32-9
  - vertical axis, full-scale 11-29
  - vertical units 11-19, 11-31, 16-14, 16-20
  - VIEW 26-31, 29-8, 31-57
  - VIEW and BLANk 26-8
  - VIOLation MODE 30-74
    - violation modes for trigger 30-73
  - VIOLation PWIDth DIRection 30-77
  - VIOLation PWIDth POLarity 30-78
  - VIOLation PWIDth SOURce 30-79
  - VIOLation PWIDth WIDTh 30-80
  - VIOLation SETUp HOLD CSORce 30-92
  - VIOLation SETUp HOLD CSORce
    - EDGE 30-94
  - VIOLation SETUp HOLD CSORce
    - LEVel 30-93
  - VIOLation SETUp HOLD DSORce 30-95
  - VIOLation SETUp HOLD DSORce
    - HTHReshold 30-96
  - VIOLation SETUp HOLD DSORce
    - LTHReshold 30-97
  - VIOLation SETUp HOLD TIME 30-98
  - VIOLation SETUp MODE 30-84
  - VIOLation SETUp SETUp CSORce
    - 30-85
  - VIOLation SETUp SETUp CSORce
    - EDGE 30-87
  - VIOLation SETUp SETUp CSORce
    - LEVel 30-86
  - VIOLation SETUp SETUp DSORce
    - 30-88
  - VIOLation SETUp SETUp DSORce
    - HTHReshold 30-89
  - VIOLation SETUp SETUp DSORce
    - LTHReshold 30-90
  - VIOLation SETUp SETUp TIME 30-91
  - VIOLation SETUp SHOLd CSORce
    - 30-99
  - VIOLation SETUp SHOLd CSORce
    - EDGE 30-101
  - VIOLation SETUp SHOLd CSORce
    - LEVel 30-100
  - VIOLation SETUp SHOLd DSORce
    - 30-102
  - VIOLation SETUp SHOLd DSORce
    - HTHReshold 30-103
  - VIOLation SETUp SHOLd DSORce
    - LTHReshold 30-104
  - VIOLation SETUp SHOLd HoldTIME
    - 30-106
  - VIOLation SETUp SHOLd SetupTIME
    - 30-105
  - VIOLation TRANSition 30-109
  - VIOLation TRANSition SOURce 30-110
  - VIOLation TRANSition SOURce
    - HTHReshold 30-111
  - VIOLation TRANSition SOURce
    - LTHReshold 30-112
  - VIOLation TRANSition TYPE 30-113
  - VLOWer 24-130
  - VMAX 24-131
  - VMIDdle 24-132
  - VMIN 24-133
  - voltage at center screen 11-6, 11-17
  - voltage information
    - of waveform 7-13
  - VOLTS as vertical units 11-19, 11-31, 16-14, 16-20
  - VPP 24-134
  - VRMS 24-135
  - VSTArt 22-12
  - VSTOp 22-14
  - VTime 24-137
  - VTOP 24-138
  - VUPPer 24-139
- W**
- \*WAI (Wait-to-Continue) 12-24
  - Wait-to-Continue (\*WAI) 12-24
  - WATTS as vertical units 11-19, 11-31, 16-14, 16-20
  - waveform
-

- 
- data and preamble 31-3
  - saving 14-17
  - storing 14-44
  - storing time and voltage 7-13
  - time and voltage information 7-13
  - view parameters 31-58
  - Waveform Commands 31-2
    - BANDpass? 31-5
    - BYTeorder 31-6
    - COMplete? 31-7
    - COUNt? 31-8
    - COUPling? 31-9
    - FORMat 31-41
    - POINTs? 31-44
    - TYPE? 31-55
    - VIEW 31-57
    - WAVEform SOURce 31-53
    - XDISplay? 31-59
    - XINCrement? 31-60
    - XORigin? 31-61
    - XRANge? 31-62
    - XREFerence? 31-63
    - XUNits? 31-64
    - YDISplay? 31-65
    - YINCrement? 31-66
    - YORigin? 31-67
    - YRANge? 31-68
    - YREFerence? 31-69
    - YUNits? 31-70
  - Waveform Memory Commands 32-2
    - DISplay 32-3
    - LOAD 32-4
    - SAVE 32-5
    - XOFFset 32-6
    - XRANge 32-7
    - YOFFset 32-8
    - YRANge 32-9
  - waveform type
    - and COMplete? 31-7
    - and COUNt? 31-8
    - and TYPE? 31-55
  - WAVEforms?
    - in MTEST COUNt command 23-20
  - white space (separator) 1-5
  - WIDTH
    - and GLITch 30-24
    - in TRIGger GLITch 30-24
  - WINDOW
    - and VIEW 31-57
    - DELay 29-9
    - in FUNction FFT command 17-15
    - POSITion 29-11
    - RANge 29-12
    - SCALE 29-13
  - WINDOW and VIEW 29-8
  - WORD
    - and FORMat 31-42
    - Understanding the format 31-37
  - writing
    - quoted strings 15-14
    - text to the screen 15-20
  - X**
    - x axis, controlling 29-2
    - X vs Y 17-36
    - X1
      - in MTEST SCALE command 23-37
    - X1Position 22-16
    - X1PositionLLIMit
      - in HISTogram WINDOW command 19-9
    - X1Y1source 22-18
    - X2Position 22-17, 22-22
    - X2PositionRLIMit
      - in HISTogram WINDOW command 19-10
    - X2Y2source 22-19
  - x-axis
    - offset, and XOFFset 32-6
    - range, and XRANge 32-7
    - units and XUNits 31-64
  - x-axis duration
    - and XRANge? 31-62
  - XDELta
    - in MTEST AMASK command 23-11
    - in MTEST SCALE command 23-38
  - XDELta? 22-20
  - XDISplay query 31-59
  - XINCrement query 31-60
  - XOFFset 32-6
  - XORigin query 31-61
  - XRANge 32-7
  - XRANge query 31-62
  - XREFerence? 31-63
  - XUNits query 31-64
- Y**
    - Y1
      - in MTEST SCALE command 23-40
    - Y1Position 22-21
    - in HISTogram WINDOW command 19-11
    - Y2
      - in MTEST SCALE command 23-41
    - Y2Position
      - in HISTogram WINDOW command 19-12
    - Y-axis control 11-2, 16-2
    - YDELta
      - in MTEST AMASK command 23-13
    - YDELta? 22-23
    - YDISplay? 31-65
    - YINCrement query 31-66
    - YOFFset 32-8
    - YORigin query 31-67
    - YRANge 32-9
    - YRANge query 31-68
    - YREFerence query 31-69
    - YUNits query 31-70
  - Z**
    - ZONE
      - MODE 20-19
      - PLACement 20-20
      - SOURce 20-21
      - STATe 20-22



# Safety Notices

This apparatus has been designed and tested in accordance with IEC Publication 1010, Safety Requirements for Measuring Apparatus, and has been supplied in a safe condition. This is a Safety Class I instrument (provided with terminal for protective earthing). Before applying power, verify that the correct safety precautions are taken (see the following warnings). In addition, note the external markings on the instrument that are described under "Safety Symbols."

## Warnings

- Before turning on the instrument, you must connect the protective earth terminal of the instrument to the protective conductor of the (mains) power cord. The mains plug shall only be inserted in a socket outlet provided with a protective earth contact. You must not negate the protective action by using an extension cord (power cable) without a protective conductor (grounding). Grounding one conductor of a two-conductor outlet is not sufficient protection.
- Only fuses with the required rated current, voltage, and specified type (normal blow, time delay, etc.) should be used. Do not use repaired fuses or short-circuited fuseholders. To do so could cause a shock or fire hazard.
- If you energize this instrument by an auto transformer (for voltage reduction or mains isolation), the common terminal must be connected to the earth terminal of the power source.

- Whenever it is likely that the ground protection is impaired, you must make the instrument inoperative and secure it against any unintended operation.

- Service instructions are for trained service personnel. To avoid dangerous electric shock, do not perform any service unless qualified to do so. Do not attempt internal service or adjustment unless another person, capable of rendering first aid and resuscitation, is present.

- Do not install substitute parts or perform any unauthorized modification to the instrument.

- Capacitors inside the instrument may retain a charge even if the instrument is disconnected from its source of supply.

- Do not operate the instrument in the presence of flammable gasses or fumes. Operation of any electrical instrument in such an environment constitutes a definite safety hazard.

- Do not use the instrument in a manner not specified by the manufacturer.

## To clean the instrument

If the instrument requires cleaning: (1) Remove power from the instrument. (2) Clean the external surfaces of the instrument with a soft cloth dampened with a mixture of mild detergent and water. (3) Make sure that the instrument is completely dry before reconnecting it to a power source.

## Safety Symbols



Instruction manual symbol: the product is marked with this symbol when it is necessary for you to refer to the instruction manual in order to protect against damage to the product..



Hazardous voltage symbol.



Earth terminal symbol: Used to indicate a circuit common connected to grounded chassis.

# Notices

© Agilent Technologies, Inc.  
2005-2008

No part of this manual may be reproduced in any form or by any means (including electronic storage and retrieval or translation into a foreign language) without prior agreement and written consent from Agilent Technologies, Inc. as governed by United States and international copyright laws.

Manual Part Number  
D8064-97008, August 2008

Print History  
D8064-97008, August 2008  
D8064-97007, March 2008  
D8064-97005, March 2007  
D8064-97004, December 2006  
D8064-97003, June 2006  
D8064-97001, December 2005

Agilent Technologies, Inc.  
1601 California Street  
Palo Alto, CA 94304 USA

## Restricted Rights Legend

If software is for use in the performance of a U.S. Government prime contract or subcontract, Software is delivered and licensed as "Commercial computer software" as defined in DFAR 252.227-7014 (June 1995), or as a "commercial item" as defined in FAR 2.101(a) or as "Restricted computer software" as defined in FAR 52.227-19 (June 1987) or any equivalent agency regulation or contract clause. Use, duplication or disclosure of Software is subject to Agilent Technologies' standard commercial license terms, and non-DOD Departments and Agencies of the U.S. Government will receive no greater than Restricted Rights as defined in FAR 52.227-19(c)(1-2) (June 1987). U.S. Government users will receive no greater than Limited Rights as defined in FAR 52.227-14 (June 1987) or DFAR 252.227-7015 (b)(2) (November 1995), as applicable in any technical data.

## Document Warranty

The material contained in this document is provided "as is," and is subject to being changed, without notice, in future editions. Further, to the maximum extent permitted by applicable law, Agilent disclaims all warranties, either express or implied, with regard to this manual and any information contained herein, including but not limited to the implied warranties of merchantability and fitness for a particular purpose. Agilent shall not be liable for errors or for incidental or consequential damages in connection with the furnishing, use, or performance of this document or of any information contained herein. Should Agilent and the user have a separate written agreement with warranty terms covering the material in this document that conflict with these terms, the warranty terms in the separate agreement shall control.

## Technology Licenses

The hardware and/or software described in this document are furnished under a license and may be used or copied only in accordance with the terms of such license.

## WARNING

A **WARNING** notice denotes a hazard. It calls attention to an operating procedure, practice, or the like that, if not correctly performed or adhered to, could result in personal injury or death. Do not proceed beyond a **WARNING** notice until the indicated conditions are fully understood and met.

## CAUTION

A **CAUTION** notice denotes a hazard. It calls attention to an operating procedure, practice, or the like that, if not correctly performed or adhered to, could result in damage to the product or loss of important data. Do not proceed beyond a **CAUTION** notice until the indicated conditions are fully understood and met.

## Trademark Acknowledgements

Windows and MS Windows are U.S. registered trademarks of Microsoft Corporation.